



Product Catalogue 2023

Site Equipment

List of contents



Site Equipment	8
1 Paver Laying and Transportation	11
2 Joint Filling and Surface Cleaning	33
3 Screeding	38
4 Professional Tools	51
5 Vacuum Laying	69
– Vacuum Handheld Devices	70
– Vacuum Attachments	83
– Vacuum Hose Lifters	95
6 Laying of Landscaping Elements	109
7 Handling of Concrete Barriers	129
8 Civil Engineering: Manhole and Pipe Laying	131
9 Highrise and Roof Elements	143

Building Material Plants – In-Plant Handling

Truck Crane Attachments

10 – 15 Separate catalogue

Service	146
17 After Sales/ Warranty	147
18 General Sales Conditions	148
19 Product Request Form	150

making hard work easier

**We are the top supplier for
today's building material
handling, making hard work
easier.**



For over 60 years, our tools and machines have been making your everyday work on the construction site easier. Thanks to many important ergonomic and efficiency-enhancing innovations, we are now world market leader and set the standards in building materials handling on construction sites and in concrete plants.

More than 180 employees find the optimal solution for you every day – worldwide at our locations in Germany, Great Britain, France, Italy, Poland, China, Korea, Canada, USA and in Australia. With more than 1,400 sales partners worldwide, including over 700 in Germany, you have a competent partner at your side wherever you are.

Since 2020, the entire group of companies has been climate-neutral.



**ENVIRONMENTAL
TECHNOLOGY AWARD**
BADEN-WÜRTTEMBERG 2021
3RD PRIZE

CATEGORY 3
EMISSION REDUCTION,
TREATMENT & SEPARATION



**CLIMATE NEUTRAL
COMPANY**
certified by Fokus Zukunft

1.400
Sales partner
worldwide

180
Employees
worldwide

11
Subsidiaries
worldwide

Alphabetical Index

Listed by Acronym

Acronym	Product Name	Page
ALX-120	AIRLIFT ALX-120	75
AW-60	Aluminium Angle AW	63
AW-200	Aluminium Angle AW-200	62
AZL-Set-20	Screeding Rails AZL	49
AZL-EP Set	Screeding Rail Kit AZL-EP	49
BE-ERGOSPRINT	Ergonomic Vacuum Control Unit BE-ERGOSPRINT	103
BE-SPRINT-2	Operating Valve Unit BE-SPRINT-2	102
BP	BOBPLAN BP	122
BSZ-H	Hydraulic Concrete Highway Divider Clamp BSZ-H	129
BSZ-KH	Concrete Highway Divider Clamp BSZ-KH	129
BVZ	Universal Handle BVZ	110
BZ	Kerb Stone Handles BZ	109
DEZ-UNI	Roofing Element Clamp DEZ-UNI	144
EB	Sweeping Broom EB	34
EC-60	EASYCLEAN EC-60	36
EF-H	EASYFILL EF-H	33
EF-H-GREENLINE	EASYFILL EF-H GREENLINE	33
EL-SDH	EASYLIFT EL-SDH	140
EL-SIMPLE	EASYLIFT EL-SIMPLE	121
ENZ	Pin Extractor ENZ	58
ENZ-PROTECT	Pin Extractor ENZ-PROTECT	59
EP-UNI	EASYPLAN EP-UNI	44
ESP	Suction Plates ESP	104
EXG	EASYGRIP EXG	111
FMK	FLEXMARKER-KIT FMK	63
FP	FIXPLAN FP	46
FSZ-M	Hollow Slope Block Handles FSZ-M	121
FTZ	Grab for Prefabricated Concrete Products FTZ	115
FTZ-GBA	Grab for Prefabricated Concrete Products FTZ-GBA	130
FTZ-MULTI	Grab for Prefabricated Concrete Products FTZ-MULTI	116
FTZ-MULTI-15-D	Grab for Prefabricated Concrete Products FTZ-MULTI-D	117
FVZ-UNI	Mechanical Boulder Grab FVZ-UNI	118
FXAH-120-GRABO-GREENLINE	FLIEGUAN-BATTERY-HANDY FXAH-120-GRABO-GREENLINE	71
FZ	Flat Grab FZ	119
GH-ERGO	Rubber Hammer GH-ERGO	54
GR-150	Slipform for Concrete Backfill of Precast Kerbs GR-150	123
H-FVZ-UNI	Manual Boulder Grab H-FVZ-UNI	119
HE	Lifting Hose Units HE	102
C-Profiles	Accessories for Hydraulic Installation Clamp HVZ	23
HVZ-ECO	Hydraulic Installation Clamp HVZ-ECO	28
HVZ-FA-RE	Herring-Bone Adapter with RE-Blades HVZ-FA-RE	21
HVZ-GENIUS-II	Hydraulic Installation Clamp HVZ-GENIUS-II	27
HVZ-LIGHT	Hydraulic Installation Clamp HVZ-LIGHT	22
HVZ-UNI-II	Hydraulic Installation Clamp HVZ-UNI-II	19
HVZ-UNI-II-EK	Hydraulic Installation Clamp HVZ-UNI-II-EK	20
HVZ-UNI-II-PK-II	Paving Claw Adapter HVZ-UNI-II-PK-II	21
HVZ-VA-180°	Shifting Adapter HVZ-VA-180°	25
HVZ-VA-SUPERSOFT	Shifting Adapter HVZ-VA-SUPERSOFT	24
JM-VARIO	JUMBOMOBIL JM-VARIO	99
JUMBO-BV-VARIO	Vacuum Kerb Stone Installation Machine JUMBO-BV-VARIO	95
KKT	Brick Handles KKT	58
KKV-20/30	Cable Channel Clamp KKV-20/30	125
KKV-200	Cable Channel Clamp KKV-200	124
KKV-8/14	Cable Channel Clamp KKV-8/14	125
KSZ-300-UNI	Limestone Clamp KSZ-300-UNI	144
LF	LEVELFIX LF	48
LH	LEVELHANDY LH	47
LK-2200	LEVELKING LK	40
LSW	Adapter suspension Lehnhoff LSW	29

Acronym	Product Name	Page
MAL	Measuring and Marking Tool MAL	60
MFS	Multiple Suction Plates MFS	106
MM-150-D	MULTIMOBIL MM-D-150	96
MP	MINIPLAN MP	47
MRE	Multiple Alignment Bar MRE	53
MSP	Multiple Suction Plate MSP-3-S-150-3x22Rd	105
PB	PAVERBOY PB	57
PJ-1650-B	POWERJET PJ-1650	88
PM	PAVERMARKER PM	60
PP	POWERPLAN PP	38
PPH	Professional-Slab Handle PPH	64
PVZ-V	Column Handles PVZ-V	120
PW-III	Pallet-Cart PW-III	31
PZ	Slab Extractor PZ	65
QD	QUICKDRAW QD	61
QJ-600-E	QUICKJET QJ-600-E	85
QJ-RS	Wheelset QJ-RS	86
RE	Alignment Bar RE	53
RF-H	GUTTERFIX RF-H	122
RG	Round Grab RG	133
RG-SAFELOCK	Round Grab RG-SAFELOCK	132
RGV-9/9	Turf Stone Laying Clamp RGV-9/9	113
RSA-25	Radial Cut Adapter RSA	68
RSH	Plumb Line Fixture RSH	59
RVD-4,5-ECO	Concrete Pipe Lifter RVD-4,5-ECO	131
RVH	Turf Stone Handles RVH	57
SA	STRING ALONG SA	62
SAH	Paver Lifter SAH	51
SAZ-UNI	Gully Clamp SAZ-UNI	138
SB	STRINGTIGHT SB	61
SDH-H	Hydraulic Manhole Cover Lifter SDH-H	140
SF	SAFEFLEX SF	65
SG	Scissor Grab SG	143
SH-1000-MINI	Vacuum Lifting Device SH-1000-MINI	87
SH-2500-UNI	Vacuum Lifting Device SH-2500	92
SH-2500-GREENLINE	Vacuum Lifting Device SH-2500-GREENLINE	93
SH-3500-B	Vacuum Lifting Device SH-3500-B	91
SHS	Laying Hook for Gullies SHS	138
SLS-8/20-G-VA	Stone Pillar Grab SLS-8/20-G-VA	120
SM-600-GREENLINE	STONEMAGNET SM-600-GREENLINE	83
SM-SPS	Suction Plates SM-SPS	84
SPS	Suction Plates SPS	94
SRG	Manhole and Cone Chain Clamp SRG	134
SRZ-KOMBI	Manhole Frame Clamp SRZ-KOMBI	139
SRZ-M	Manhole Frame Clamp SRZ-M	139
STH-0,9	Bush Hammer STH-0,9	56
STS	STONE SPLITTER STS	66
STS-43-EH-23	STONE SPLITTER STS-43-EH-23	68
STS-EASY	STONE SPLITTER STS-EASY	67
SVZ-ECO	Manhole and Cone Installation Clamp SVZ-ECO	137
SVZ-ECO-L	Manhole and Cone Installation Clamp SVZ-ECO-L	137
SVZ-UNI	Manhole and Cone Installation Clamp SVZ-UNI	136
SVZ-UNI-VARIO	Manhole and Cone Installation Clamp SVZ-UNI-VARIO	135
SWV-HE	Quick Change Device SWV-HE	104
SXH-1,3 / SXH-2,3	Deadblow SXH-1,3 / SXH-2,3	56
SXH-1,8	Soft-Face Mallet SXH-1,8	54
SXH-3,2	Soft-Face Mallet SXH-3,2	55
SXH-3,6	Soft-Face Mallet SXH-3,6	55
SXR	Surface Saver SXR	35
SZ	Paving Block Extractor SZ	51

Acronym	Product Name	Page
SZH	Block Extractor Hammer SZH	52
SZV	Hose Cylinder Extension SZV	103
TAK	Telescopic Screeding Bucket TAK	42
TAK-DP	Telescopic Screeding Bucket TAK-DP	42
TAS-UNI	Telescopic Screeding System TAS-UNI	43
TAS-UNI-DP	Adjustable Adapter for Roof-/Pan Profile TAS-UNI-DP	43
TG-5/12	TWISTGRIP TG-5/12	112
TM-150	TRANSMOBIL TM	100
TP	TELEPLAN TP	45
TSV	Concrete Step Handles TSV	113
TSZ-UNI	Concrete Step Handles TSZ	114
UM-SM	UNIMOBIL UM-SM	81
UM-VS	UNIMOBIL UM-VS	82
UXP	Device for Vacuum Test UXP	108
VGE-230	Vacuum Turbine Unit VGE-230	98
VH-1/25	VACUUM-HANDY VH-1/25	70
VM-X-PAVERMAX	Installation Machine VM-X-PAVERMAX	12
VM-301-GREENLINE	Installation Machine VM-301-GREENLINE	16
VMK	Vacuum Measuring Case VMK	108
VPH-150-GREENLINE	VACUUM-POWER-HANDY VPH-150-GREENLINE	73
VS-140/200	SPEEDY VS-140/200	77
VS-ERGO-SPS-50-29/22	Ergonomic Vacuum Control Unit VS-ERGO-SPS-50-29/22	98
VS-PR	SPEEDY POWER-RACK VS-PR	78
VS-SPS	Suction Plates VS-SPS	79
VTK-V	Adjustable Paver Transport Cart VTK-V	30
VZ	Laying Clamp VZ	110
VZ-H-UNI	Hydraulic Installation Clamp VZ-H-UNI	126
VZ-HS-50/150 Basic unit	Hydraulic Kerb Stone Laying Clamp VZ-HS-50/150	127
VZ-M-UNI	Kerb Stone Clamp VZ-M-UNI	109
WEZ	Grab for Angular Concrete Products WEZ	118
WSP	Angeled Suction Plates WSP	105

Alphabetical Index

Listed by Product Name

Product Name	Acronym	Page
Accessories for Hydraulic Installation Clamp HVZ	HVZ	23
Adapter suspension Lehnhoff LSW	LSW	29
Adjustable Adapter for Roof-/Pan Profile TAS-UNI-DP	TAS-UNI-DP	43
Adjustable Paver Transport Cart VTK-V	VTK-V	30
AIRLIFT ALX-120	ALX-120	75
Alignment Bar RE	RE	53
Aluminium Angle AW	AW	63
Aluminium Angle AW-200	AW-200	62
Angeled Suction Plates WSP	WSP	105
Block Extractor Hammer SZH	SZH	52
BOBPLAN BP	BP	122
Brick Handles KKT	KKT	58
Bush Hammer STH-0,9	STH-0,9	56
Cable Channel Clamp KKV-20/30	KKV-20/30	125
Cable Channel Clamp KKV-200	KKV-200	124
Cable Channel Clamp KKV-8/14	KKV-8/14	125
Column Handles PVZ-V	PVZ-V	120
Concrete Highway Divider Clamp BSZ-KH	BSZ-KH	129
Concrete Pipe Lifter RVD-4,5-ECO	RVD-4,5-ECO	131
Concrete Step Handles TSV	TSV	113
Concrete Step Handles TSZ	TSZ	114
Deadblow SXH-1,3 / SXH-2,3	SXH-1,3 / SXH-2,3	56
Device for Vacuum Test UXP	UXP	108
EASYCLEAN EC-60	EC-60	36
EASYFILL EF-H	EF-H	33
EASYFILL EF-H GREENLINE	EF-H GREENLINE	33
EASYGRIP EXG	EXG	111
EASYLIFT EL-SDH	EL-SDH	140
EASYLIFT EL-SIMPLE	EL-SIMPLE	121
EASYPLAN EP-UNI	EP-UNI	44
Ergonomic Vacuum Control Unit BE-ERGOSPRINT	BE-ERGOSPRINT	103
Ergonomic Vacuum Control Unit VS-ER-GO-SPS-50-29/22	VS-ERGO-SPS-50-29/22	98
FIXPLAN FP	FP	46
Flat Grab FZ	FZ	119
FLEXMARKER-KIT FMK	FMK	63
FLIEGUAN-BATTERY-HANDY FXAH-120-GRABO-GREENLINE	FXAH-120-GRABO-GREENLINE	71
Grab for Angular Concrete Products WEZ	WEZ	118
Grab for Prefabricated Concrete Products FTZ	FTZ	115
Grab for Prefabricated Concrete Products FTZ-GBA	FTZ-GBA	130
Grab for Prefabricated Concrete Products FTZ-MULTI	FTZ-MULTI	116
Grab for Prefabricated Concrete Products FTZ-MULTI-D	FTZ-MULTI-D	117
Gully Clamp SAZ-UNI	SAZ-UNI	138
GUTTERFIX RF-H	RF-H	122
Herring-Bone Adapter with RE-Blades HVZ-FA-RE	HVZ-FA-RE	21
Hollow Slope Block Handles FSZ-M	FSZ-M	121
Hose Cylinder Extension SZV	SZV	103
Hydraulic Concrete Highway Divider Clamp BSZ-H	BSZ-H	129
Hydraulic Installation Clamp HVZ-ECO	HVZ-ECO	28
Hydraulic Installation Clamp HVZ-GENIUS-II	HVZ-GENIUS-II	27
Hydraulic Installation Clamp HVZ-LIGHT	HVZ-LIGHT	22
Hydraulic Installation Clamp HVZ-UNI-II	HVZ-UNI-II	19
Hydraulic Installation Clamp HVZ-UNI-II-EK	HVZ-UNI-II-EK	20
Hydraulic Installation Clamp VZ-H-UNI	VZ-H-UNI	126
Hydraulic Kerb Stone Laying Clamp VZ-HS-50/150	VZ-HS-50/150	127
Hydraulic Manhole Cover Lifter SDH-H	SDH-H	140
Installation Machine VM-X-PAVERMAX	VM-X-PAVERMAX	12
Installation Machine VM-301-GREENLINE	VM-301-GREENLINE	16
JUMBOMOBIL JM-VARIO	JM-VARIO	99

Product Name	Acronym	Page
Kerb Stone Clamp VZ-M-UNI	VZ-M-UNI	109
Kerb Stone Handles BZ	BZ	109
Laying Clamp VZ	VZ	110
Laying Hook for Gullies SHS	SHS	138
LEVELFIX LF	LF	48
LEVELHANDY LH	LH	47
LEVELKING LK	LK	40
Lifting Hose Units HE	HE	102
Limestone Clamp KSZ-300-UNI	KSZ-300-UNI	144
Manhole and Cone Chain Clamp SRG	SRG	134
Manhole and Cone Installation Clamp SVZ-ECO	SVZ-ECO	137
Manhole and Cone Installation Clamp SVZ-ECO-L	SVZ-ECO-L	137
Manhole and Cone Installation Clamp SVZ-UNI	SVZ-UNI	136
Manhole and Cone Installation Clamp SVZ-UNI-VARIO	SVZ-UNI-VARIO	135
Manhole Frame Clamp SRZ-KOMBI	SRZ-KOMBI	139
Manhole Frame Clamp SRZ-M	SRZ-M	139
Manual Boulder Grab H-FVZ-UNI	H-FVZ-UNI	119
Measuring and Marking Tool MAL	MAL	60
Mechanical Boulder Grab FVZ-UNI	FVZ-UNI	118
MINIPLAN MP	MP	47
MULTIMOBIL MM-D-150	MM-D-150	96
Multiple Alignment Bar MRE	MRE	53
Multiple Suction Plate MSP	MSP	105
Multiple Suction Plates MFS	MFS	106
Operating Valve Unit BE-SPRINT-2	BE-SPRINT-2	102
Pallet-Cart PW-III	PW-III	31
Paver Lifter SAH	SAH	51
PAVERBOY PB	PB	57
PAVERMARKER PM	PM	60
Paving Block Extractor SZ	SZ	51
Paving Claw Adapter HVZ-UNI-II-PK-II	HVZ-UNI-II-PK-II	21
Pin Extractor ENZ	ENZ	58
Pin Extractor ENZ-PROTECT	ENZ-PROTECT	59
Plumb Line Fixture RSH	RSH	59
POWERJET PJ-1650	PJ-1650	88
POWERPLAN PP	PP	38
Professional-Slab Handle PPH	PPH	64
Quick Change Device SWV-HE	SWV-HE	104
QUICKDRAW QD	QD	61
QUICKJET QJ-600-E	QJ-600-E	85
Radial Cut Adapter RSA	RSA	68
Roofing Element Clamp DEZ-UNI	DEZ-UNI	144
Round Grab RG	RG	133
Round Grab RG-SAFELOCK	RG-SAFELOCK	132
Rubber Hammer GH-ERGO	GH-ERGO	54
SAFEFLEX SF	SF	65
Scissor Grab SG	SG	143
Screeding Rail Kit AZL-EP	AZL-EP	49
Screeding Rails AZL	AZL	49
Shifting Adapter HVZ-VA-180°	HVZ-VA-180°	25
Shifting Adapter HVZ-VA-SUPERSOFT	HVZ-VA-SUPERSOFT	24
Slab Extractor PZ	PZ	65
Slipform for Concrete Backfill of Precast Kerbs GR-150	GR-150	123
Soft-Face Mallet SXH-1,8	SXH-1,8	54
Soft-Face Mallet SXH-3,2	SXH-3,2	55
Soft-Face Mallet SXH-3,6	SXH-3,6	55
SPEEDY POWER-RACK VS-PR	VS-PR	78
SPEEDY VS	VS	77
Stone Pillar Grab SLS-8/20-G-VA	SLS-8/20-G-VA	120
STONE SPLITTER STS	STS	66

Product Name	Acronym	Page
STONE SPLITTER STS-43-EH-23	STS-43-EH-23	68
STONE SPLITTER STS-EASY	STS-EASY	67
STONEMAGNET SM-600-GREENLINE	SM-600-GREENLINE	83
STRING ALONG SA	SA	62
STRINGTIGHT SB	SB	61
Suction Plates ESP	ESP	104
Suction Plates SM-SPS	SM-SPS	84
Suction Plates SPS	SPS	94
Suction Plates VS-SPS	VS-SPS	79
Surface Saver SXR	SXR	35
Sweeping Broom EB	EB	34
TELEPLAN TP	TP	45
Telescopic Screeding Bucket TAK	TAK	42
Telescopic Screeding Bucket TAK-DP	TAK-DP	42
Telescopic Screeding System TAS-UNI	TAS-UNI	43
TRANSMOBIL TM	TM-150	100
Turf Stone Handles RVH	RVH	57
Turf Stone Laying Clamp RGV-9/9	RGV-9/9	113
TWISTGRIP TG-5/12	TG-5/12	112
UNIMOBIL UM-SM	UM-SM	81
UNIMOBIL UM-VS	UM-VS	82
Universal Handle BVZ	BVZ	110
Vacuum Kerb Stone Installation Machine JUMBO-BV-VARIO	JUMBO-BV-VARIO	95
Vacuum Lifting Device SH-1000-MINI	SH-1000-MINI	87
Vacuum Lifting Device SH-2500	SH-2500	92
Vacuum Lifting Device SH-2500-GREENLINE	SH-2500-GREENLINE	93
Vacuum Lifting Device SH-3500-B	SH-3500-B	91
Vacuum Measuring Case VMK	VMK	108
Vacuum Turbine Unit VGE-230	VGE-230	98
VACUUM-HANDY VH-1/25	VH-1/25	70
VACUUM-POWER-HANDY VPH-150-GREENLINE	VPH-150-GREENLINE	73
Wheelset QJ-RS	QJ-RS	86



The tools and machines from Probst make hard work on sites easier. Thereby it doesn't matter if it's road construction, civil engineering, high-rise and roofing construction, landscape gardening or paver laying.

making hard work easier

In over 60-years of Probst history, we make the hard working day much easier and more economic for everybody who works with pavers, pipes and concrete products. Probst offers complete service – starting with technical support and drivers training, up to logistics guidance at the site.

Experienced sales representatives advice and surprise with easy solutions for time and money saving operation.

Our policy is the durability of the range of products. With the regular maintenance the Probst products will last many times over decades, even on hard and daily operation.

Of course you will get experienced service and spare parts for the complete product life.

The main reason for numerous sick days, loss of jobs and early retirement at the construction industry is back pain. Especially when laying kerb stones and slabs, it is a high risk for the workers, if not



Site Equipment

We make your work on sites easier – in road construction & civil engineering, paver laying and landscape gardening

using the right equipment. You can prevent back strain with the right technical equipment and the correct handling of heavy weights.

The investment in ergonomic tools is paid back very quickly. The ergonomic machines and tools from Probst take care of the back and increase the working speed.

The material composition, the production process and the forms of the building materials are going to be changed regularly. That's why the tools and machines need permanent upgrades. Besides this the customer has higher requirements for security, is more aware of the quality and does not want any damages.

During development Probst already think of the future trends, experience reports and upcoming regulations. The result of this observation are robust machines and tools with extreme durability and efficiency.

As universal as possible – as special as needed.

Simply Probst: from practice for practice, because Probst makes hard work easier.

Lay pavers efficiently – with paver installation machines



VM-301-GREENLINE with HVZ-UNI-II

Probst paver installation machines offer simple handling, user-friendly operation and first-class performance. Increase your efficiency and go for first-class quality – with conventional or 100% electric drive.

Offering a compact design and double articulated steering, the VM paver installation machines provide excellent maneuverability in confined spaces and job sites. Operators appreciate the high visibility to both the laying edge and what is behind them.

A low center of gravity guarantees an optimal static stability at any operating position.

The chassis of the laying machine has got a double center steering. Even driving narrow curves on freshly laid paver surface, no shifting is done to the pavers. The wheels do not twist the pavers, but roll on them.

Universally usable

The Probst laying machines are universal machines for many different attachments to meet your requirements: Kerb laying clamps, sweeping systems, Vacuum Laying systems for different concrete and natural stone slabs as well as a lot of special tools that you will find in this catalogue.



ENVIRONMENTAL
TECHNOLOGY AWARD
BADEN-WÜRTTEMBERG 2021

3RD PRIZE

CATEGORY 3
EMISSION REDUCTION,
TREATMENT & SEPARATION



VM-X-PAVERMAX premium with HVZ-UNI-II (picture with accessories LED light package and exterior mirrors)

VM-X-PAVERMAX Installation Machine **NEW**

Best views on your paving work: 360° panoramic view meets maximum laying comfort.

May we introduce: VM-X-PAVERMAX, the new reference class in paver laying machines. It combines a completely new sense of space with pioneering technologies – and makes work more comfortable and efficient than ever before.

All we can say is: 360° panoramic view with full glazing. Sensational stability with a load capacity of up to 700 kg. Two practical automatic programmes. And, on request, a wide range of comfort features for even more efficient laying of all commercially available interlocking stone laying units.

The new VM-X-PAVERMAX: This is how you lay today.

Articulated boom with two joints:
enormous pick-up height for picking up
two bundles stacked on top of each other



Type	Description	Type of Drive Diesel Engine kW	Driving Speed km/h (mph)	Dead Weight kg (lbs)	Max. Weight Paver Layer kg (lbs)*	Height Lifting Height mm (in)	Dimensions LxWxH mm (in)	Working Load Limit/WLL kg (lbs)	Turning Radius Total mm (in)	Order-Number
VM-X-PAVERMAX premium	Basic device installation machine without laying clamp HVZ, incl. hydraulic rotator	18,5 4-Cylinder	16 (10)	1,600 (3,530)	470 (1,040)	2,500 (98.42)	3730 x 1300 x 2000 (146.85 x 51.18 x 78.74)	700 (1,540)	2,500 (98.42)	51500025
VM-X-PAVERMAX comfort	Basic device installation machine without laying clamp HVZ, incl. hydraulic rotator	18,5 4-Cylinder	16 (10)	1,600 (3,530)	470 (1,040)	2,250 (88.58)	3800 x 1300 x 2000 (149.60 x 51.18 x 78.74)	700 (1,540)	2,500 (98.42)	51500026
VM-X-PAVERMAX standard	Basic device installation machine without laying clamp HVZ, incl. hydraulic rotator	18,5 4-Cylinder	16 (10)	1,500 (3,310)	420 (925)	2,250 (88.58)	3800 x 1300 x 2000 (149.60 x 51.18 x 78.74)	650 (1,430)	2,500 (98.42)	51500027
VM-X-PAVERMAX basic	Basic device installation machine without laying clamp HVZ, without hydraulic rotator	18,5 3-Cylinder	16 (10)	1,450 (3,200)	345 (760)	2,250 (88.58)	3800 x 1300 x 2000 (149.60 x 51.18 x 78.74)	575 (1,270)	2,500 (98.42)	51500028



Decoupled driver's cabin with air-suspended comfort seat, seat heating and longitudinal damping



Joystick with ergonomically arranged controls



Colour LCD LED touch screen with display of real-time data and for selecting automatic programmes, driving profiles, ...

The perfect configuration for every challenge.

Whether basic, standard, comfort or premium: With **four equipment configurations**, the VM-X-PAVERMAX is perfectly prepared for all challenges. You can choose between innovative additional features – from efficient automatic programs to the air-suspended comfort seat.

All models have unprecedented smoothness in common, as well as our double articulated steering system for maximum maneuverability in the tightest of spaces.

Clear view all around.

The VM-X-PAVERMAX offers a **unique feeling of space** – with a full overview of the laying edge and all outer edges of the machine. Both the front and the side doors are fully glazed, while a curved 180° panoramic rear window provides an optimum view to the rear.

Make yourself comfortable.

The VM-X-PAVERMAX is equipped with numerous comfort features so that even large laying projects can be completed without fatigue and with maximum concentration. From the spacious, **decoupled cabin** to the large-volume wide tires and the pendulum damping in the direction of travel:

The VM-X-PAVERMAX combines **maximum smoothness** with a particularly pleasant driving experience.

All controls are **ergonomically arranged**, and both the steering wheel and the seat can be conveniently adjusted individually. Speaking of seats: the comfort seat of the premium model is equipped with seat heating, air suspension, compressor and longitudinal damping.

Have a great ride!

Not only laying, but also driving becomes particularly efficient and comfortable with the VM-X-PAVERMAX. The good response of the foot pedal prevents jerky starts, the double articulated steering and the tight turning circle allow **perfect maneuverability** even in the tightest spaces. In addition, the outer edges of the VM-X-PAVERMAX are adapted to the steering geometry – no protruding vehicle parts get in the way when driving around obstacles.

The premium version also allows the operator to choose between **three operating profiles**:

Two laying modes with different response characteristics of the foot pedal and joystick, as well as a travel mode for pure driving operation.

All relevant data is displayed in real time on the 5" touch screen in the premium variant or on the 2.4" screen in the comfort, standard and basic variants, from the battery charge control to the coolant temperature. In the premium version in multiple languages: German, English, French, Polish and Spanish.

More efficient laying.

With the VM-X-PAVERMAX, laying all commercially available interlocking paver laying units becomes easier than ever before. In the premium version, **convenient automatic programs** ensure that the machine takes over recurring tasks independently. In addition, the **articulated boom with two joints** increases the reach of the machine – and at the same time minimizes the necessary travel movements during positioning.

Not to be forgotten: The **enormous grab height** for picking up from two packages stacked on top of each other (up to a height of 1,800 mm). And the **large swiveling range** of around 1,600 mm from a standing position – purely by steering, without moving the pavement.

- 360° panoramic view for optimum overview.
- Optimized stability with up to 700 kg load capacity.
- Maximum running smoothness and a particularly pleasant driving experience.
- Perfect maneuverability in the tightest of spaces.
- Numerous comfort features available on request – from practical automatic programs to heated seat with air suspension.
- Easy maintenance thanks to free access to all relevant parts.
- A 4-cylinder Diesel engine (3-cylinder at basic) 18.5 KW/ 25 hp means high performance reserves. Complies with EU emission regulations level V and TIER IV final (USA), no restriction in environmental zones, as engine power < 19 kW.

1 VM-X-PAVERMAX premium



Fully equipped with all the comfort and automatic features, such as adjustable comfort seat with air padding, seat heating, decoupled comfort cabin, 5" touch screen and articulated boom.

VM-X-PAVERMAX comfort



Equipped with fully enclosed, decoupled comfort cabin, adjustable standard seat with mechanical suspension, 2.4" screen and standard boom.

VM-X-PAVERMAX standard



Equipped with partially enclosed operator's cabin, adjustable standard seat with mechanical suspension, 2.4" screen and standard boom.

VM-X-PAVERMAX basic



Entry-level model with partially enclosed operator's cabin, adjustable standard seat with mechanical suspension, 2.4" screen and standard boom.

Equipment variations/Accessories:

Features	Description	premium	comfort	standard	basic
Display		Opus B3. Bright 5" colour LCD LED backlight display with touch function and 5 selectable languages (DE, EN, FR, ES, PL)	Smart-View 2.4" colour LCD LED backlight display	Smart-View 2.4" colour LCD LED backlight display	Smart-View 2.4" colour LCD LED backlight display
Driver's seat		Adjustable comfort seat with air suspension, compressor, seat heating, longitudinal suspension	Adjustable standard seat with mechanical suspension	Adjustable standard seat with mechanical suspension	Adjustable standard seat with mechanical suspension
Hydraulic proportional block		DPX valve block with flow sharing function	SDS standard valve block	SDS standard valve block	SDS standard valve block
Steering column		adjustable	adjustable	adjustable	adjustable
Accelerator pedal		angle adjustable without tools	angle adjustable without tools	angle adjustable without tools	rigid
Standard cabin		fully enclosed	fully enclosed	partially clad	partially clad
Semi-automatic	Operation of the clamp functions via two push-buttons. ADV is automatically pre-charged when the main voltage is opened	✓	✓	✓	✓

Equipment variations/Accessories:

Features	Description	premium	comfort	standard	basic	Order-Number	Euro
Armrest		✓	✓	✓	✓		
Joystick		✓	✓	✓	✓		
12V socket		✓	✓	✓	✓		
Automatic parking brake		✓	✓	✓	✓		
Internal rear view mirror		✓	✓	✓	✓		
Pendulum damping	Reduction of strong vibrations of the attachments	✓	✓	✓	✗		
Mesh pocket		✓	✓	✓	✗		
Toolbox		✓	✓	✓	✗		
Driving modes fast/slow		✓	✓	✓	✗		
Cabin		✓	✓	✗	✗		
Heating		✓	✓	✗	✗		
Opening window		✓	✓	✗	✗		
Windscreen wiper		✓	✓	✗	✗		
Wiping water function		optional	optional	✗	✗	41501064	
Coat hook		✓	✓	✗	✗		
Automatic	Standard and shift automatic	✓	✗	✗	✗		
Cycle counter		✓	✗	✗	✗		
Articulated boom		✓	✗	✗	✗		
Storage compartment		✓	✓	✗	✗		
Endless swivel head		✓	✓	✓	optional	41501095	
Preparation for vacuum use	For mounting hydraulically driven vacuum devices	✓	optional	optional	✗	41501070	
Sound package	DAB+ Radio, Speaker, Bluetooth handsfree-system, USB	optional	optional	✗	✗	41501067	
Special paint		optional	optional	optional	✗	41501096	
2 nd foot pedal (left)	Control change: Raising and lowering the boom via the foot pedal instead of the joystick	optional	optional	optional	✗	41501103	
LED light package	2x LED headlights front, 1x LED headlights rear	optional	optional	optional	optional	41501065	
LED professional light package	Prerequisite is the LED light package – 2x LED headlights on the front axle	optional	optional	optional	✗	41501093	
LED rotating beacon	3 light modes – single flash, dual flash, all-round	optional	optional	optional	optional	41501066	
Mobile phone holder		optional	optional	optional	optional	26990089	
Reversing warning system		optional	optional	optional	optional	41501091	
Diesel particular filter DPf		optional	optional	optional	optional	41501074	
Loading lugs	For loading with a crane	optional	optional	optional	optional	41501092	
Exterior mirrors		optional	optional	optional	optional	41501056	

011222 Technical data contained in this catalogue can be modified without prior notice in the interest of progress. Illustrations are exemplary and non-binding. No liability accepted for any misprints, mistakes and errors.



**ENVIRONMENTAL
TECHNOLOGY AWARD**
BADEN-WÜRTTEMBERG 2021
3RD PRIZE
CATEGORY 3
EMISSION REDUCTION,
TREATMENT & SEPARATION



VM-301-GREENLINE with HVZ-UNI-II

Installation Machine VM-301-GREENLINE

Installation Machine VM-301-GREENLINE – the new scale in mechanical paving

All machine functions are powered by maintenance-free asynchronous motors.
Up to 8 kW drive power transmitted to the drive gears by a differential axle.
Hydraulic unit with up to 5 kW of power to supply the work hydraulic system.
Automatic electric parking brake on the front axle.
Basic device incl. hydraulic rotator, without attachment.

Battery technology / Basic version:

2 lithium ion rechargeable batteries at 48 V, 105 Ah.

Total: 210 Ah / 10.1 KWh

Recharging technology: 2 on-board chargers, each 48 V, 50 A

Charging time (battery power at 0 %) on a 230 V power supply: approx. 4.6 h

Charging time (battery power at 0 %) on a 400 V power supply: approx. 2.3 h

Max. battery life up to 6 hours of paving operation (without electrical consumers such as heating, fan, lights, radio ...). With intermediate charging (with quick charge function 400V / e.g. 1 h during lunch break) up to 8 h of paving operation.

For 50% more battery capacity: optional 3 lithium-ion rechargeable battery at 48V, 105Ah.



VM-301-GREENLINE with HVZ-UNI-II

Type	Description	Dimensions L x W x H mm (in)	Type of Drive electric/ Battery kW	Working Pressure bar (psi)	Working Voltage V	Dead Weight kg (lbs)	Hydr. Volumet- ric Flow l/min (gpm)	Max. Weight Paver Layer kg (lbs)	Working Load Limit/WLL kg (lbs)	Turning Radius mm (in)	Order-Number
VM-301- GREENLINE	Basic device installation machine without laying clamp HVZ	3,692 x 1,220 x 1,980 (145.35 x 48.03 x 77.95)	8/5	180 (2,611)	48	1,340 (2,954)	20 (5.28)	320/ 380 (705/ 838)	650 (1,433)	2,450 (96.46)	51500024



VM-301-GREENLINE with HVZ-UNI-II

- Fully glazed tubular steel cabin for weather protection with heating and windscreen wiper.
- Continuous hydraulic rotator.
- Electronic joystick with arm support for controlling main/ side gripping width and rotator.
- Emission-free and low-noise operation.
- Very low vibrations.
- Very efficient use of energy thanks to the refined electric motors.
- Display with indicator for battery level, driving speed, operating hours, etc. Wide diameter tyres and high ground clearance, therefore suitable also in rough terrain.
- Wide pivoting range of approximately 1,600 mm from a standing position is achieved solely by a steering movement – and without shifting of the pavement.
- Double articulated steering enables manoeuvrability in the tightest spaces.
- Unlimited all-round-view for the driver, important when driving backwards.
- Ergonomical positioning of the seat, steering wheel, joystick, operating lever and pedal.
- With standard built-in radio.

Accessories:

Type	Description	Weight Dead Weight kg (lbs)	Order-Number
Battery 48V/105Ah	Rechargeable battery for VM-301-GREENLINE	37.0 (82)	24200146
Extra weight	To increase the working load limit to 380 kg	35.9 (79)	41500357
Exterior mirror	Retrofit kit	13 (29)	41500358
Mounting bracket	For light package and/or exterior rear-view mirrors (is only required once)	1.6 (3.53)	41500739
Windscreen washer	With adjustable spray nozzles on the windscreen wiper arm. Without adjustable wiping interval. Retrofit kit for VM-301-K/VM-301-GL	13.7 (30)	41500788
LED-Light kit VM-301-GL	2 x LED headlamps, 1 x LED rear light	3.5 (7.72)	41500977
LED-Turning Light	Incl. fold-out foot	2.0 (4.41)	41500978
Reversing alarm	For VM-301-GL	2.0 (4.41)	41500983
Adapter QJ	For Rotator	1.5 (3.31)	40110319

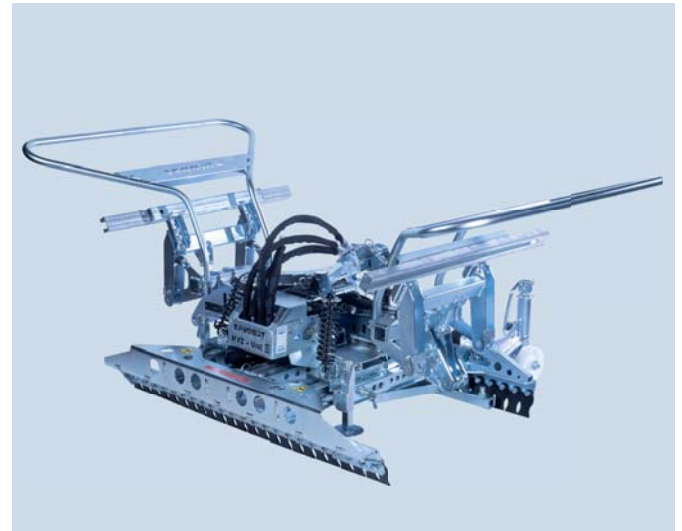


Hydraulic Installation Clamps

These hydraulic installation clamps are universally suitable for laying all paving stone installation units available on the market when combined with the various carriers such as installation machines VM, hydraulic excavators and wheel loaders.

Type HVZ-UNI-II and HVZ-UNI-II-EK Standard Specifications:

- Universally adjustable main gripping width beared on a maintenance-free steel-plastic guideway.
- Adjustable side gripper for the exact shaping of the installation pattern (shaping device).
- Height adjustable stops for adjusting the gripping depth for different thickness of blocks.
- Hydraulic pressure regulating valve to protect the parts from too much strain.
- Oil pressure gauge.
- Independent steel grippers – ensuring a firm grip on single blocks when carrying large sets of blocks. The steel gripper length of 50 mm is variable up to about 1,350 mm.
- Handles for optimum handling of the pliers. Handles quickly removable for adaptation to confined spaces.

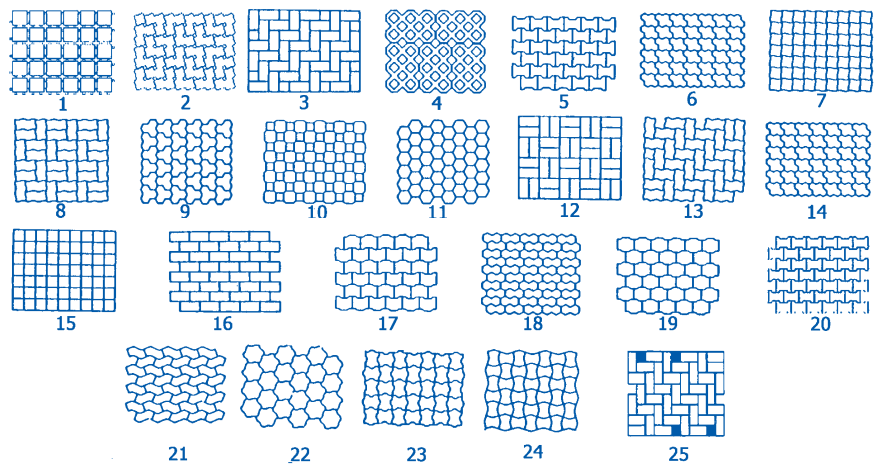


HVZ-UNI-II

Mechanical installation allows for a multitude of design possibilities

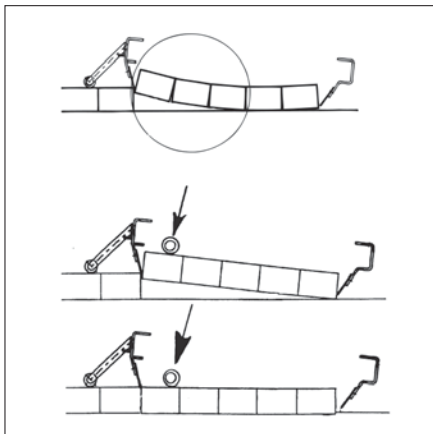
It depends on the right installation clamp. This paver formation is suitable for all mechanical installation with all clamps by Probst. We have also the right solution for specialised types of stones and installations samples – talk to us.

The stone formations 16 – 20 are suitable for mechanical installation by the special adapter. The stone formations 21 – 25 are suitable for mechanical installation by special adapter. For other stone formations (not shown), please send in a mould layout.





HVZ-UNI-II for VM-X/301/401/203/204



top: without ADV, bottom: with ADV

Hydraulic Installation Clamp HVZ-UNI-II

The new HVZ-UNI-II is more universal in use, more robust in design and more easy to adjust this device incorporates the experience of 2 decades in mechanical installation. It can be used in conjunction with the laying machine VM-X/301/401/203/204 as well as other carriers which provide two hydraulic circuits to operate the clamp. The main and side clamps are controlled directly from the carrier.

- Setting of the main and side clamping width made easy without tools by using scale pointers.
- The side clamping arms swing up completely in order to allow laying close to a wall sideways without any gap.
- The powerful side clamp achieves easy shifting of pavers into the running bond.
- Gripping depths and height of the support wheels can be adjusted without tools easy and quickly.
- Pushing-off technology ADV guarantees installation complying with the regulations: During the laying process the individual pavers creep apart by approx. 0.5 – 1 mm (in addition to the spacer bars). This joint distance must not be eliminated by hammering!
- Because the pavers can not rock during the laying process, time consuming readjustment is avoided.
- Pushing off device ADV as a standard feature integrated.
- 2 C-Profiles 860 mm long and 10 Positioning Adapters to shift pavers by 100 mm.
- Low deadweight.
- Main gripping width can be set much more easily via a spindle with integrated spring assembly instead of the previous chain centring method.
- Significantly increased displacement force for problem-free movement into the running bond (3 x greater than with the HVZ-UNI).
- New suspension – enabling the clamp to hang with less movement.
- Durable surface protection by galvanizing.

Type	Length of Gripper mm (in)	Hight Stone/ Element mm (in)	Dead Weight kg (lbs)	Hydr. Volumetric Flow l/min (gpm)	Hydraulic Connection Pressure bar (psi)	Hydr. Backflow Pressure, max bar (psi)	Opening Width Main Gripper mm (in)	Opening Width Side Gripper mm (in)	Working Load Limit/ WLL kg (lbs)	Order-Number
HVZ-UNI-II for VM-X/301/203/204	1,200 (47.24)	50 – 160 (2 – 6.29)	225 (496)	15 – 75 (3.96 – 19.82)	200 – 320 (2,901 – 4,641)	20 (290.08)	580 – 1,260 (22.83 – 49.61)	960 – 1,440 (37.80 – 56.69)	400 (882)	51400036
HVZ-UNI-II for VM-401	1,200 (47.24)	50 – 160 (2 – 6.29)	226.5 (499)	15 – 75 (3.96 – 19.82)	200 – 320 (2,901 – 4,641)	20 (290.08)	580 – 1,260 (22.83 – 49.61)	960 – 1,440 (37.80 – 56.69)	400 (882)	51400037

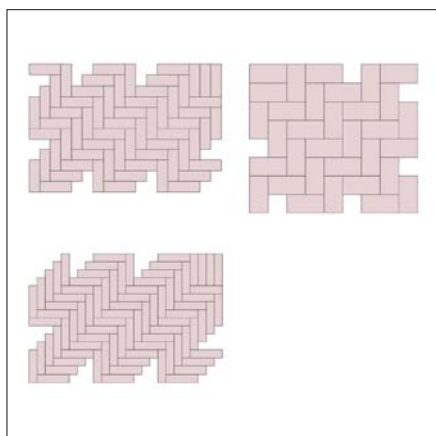
Accessories:

Type	Description	Dead Weight kg (lbs)	Order-Number
HVZ-UNI-II-PEA	Set of PE supports for height adjustment	10.5 (23)	41400986

011222 Technical data contained in this catalogue can be modified without prior notice in the interest of progress. Illustrations are exemplary and non-binding. No liability accepted for any misprints, mistakes and errors.



HVZ-UNI-II-EK with HVZ-UNI-II-PK-II



Block Layers

Hydraulic Installation Clamp HVZ-UNI-II-EK

The HVZ-UNI-II-EK installation clamp requires only one hydraulic control circuit on the side of the carrier for automatic installation of interlocking paving stones. It is therefore ideally suited for attachment to smaller carrier, such as Knick- and Rollmops as well as small wheeled loaders.

All the properties of the HVZ-UNI-II (other than shifting layers into stretcher bond) are also integrated into the HVZ-UNI-II-EK.

Fitted onto a paving installation machine, the simplified automatic programme sequence allows even inexperienced drivers to achieve good laying performance very quickly.

The single-circuit control is started/stopped simply using the intersection control lever or electric joystick on the paving installation machine.

Safe gripping function dependent upon the condition of the spacers and the quality of the stones. Specification net weight without hydraulic rotator and swing damper.

- Durable surface protection by galvanizing.
- For further information see HVZ-UNI-II.

Type	Length of Gripper mm (in)	Hight Stone/ Element mm (in)	Dead Weight kg (lbs)	Hydr. Volumetric Flow l/min (gpm)	Hydr. Backflow Pressure, max bar (psi)	Hydraulic Connection Pressure bar (psi)	Opening Width Side Gripper mm (in)	Opening Width Main Gripper mm (in)	Working Load Limit/ WLL kg (lbs)	Order-Number
HVZ-UNI-II-EK	1,200 (47.24)	50 – 160 (2 – 6.29)	241 (531)	15 – 75 (3.96 – 19.82)	20 (290.08)	170 – 320 (2,466 – 4,641)	960 – 1,440 (37.80 – 56.69)	580 – 1,260 (22.83 – 49.61)	400 (882)	51400040-000
HVZ-UNI-II-EK with Herring- Bone- Adapter HVZ-FA-RE	1,200 (47.24)	50 – 160 (2 – 6.29)	275 (606)	15 – 75 (3.96 – 19.82)	20 (290.08)	170 – 320 (2,466 – 4,641)	960 – 1,440 (37.80 – 56.69)	580 – 1,260 (22.83 – 49.61)	400 (882)	51400040-001
HVZ-UNI-II-EK with Paving Claw Adapter HVZ-UNI-II-PK-II	1,200 (47.24)	50 – 160 (2 – 6.29)	285 (628)	15 – 75 (3.96 – 19.82)	20 (290.08)	170 – 320 (2,466 – 4,641)	960 – 1,440 (37.80 – 56.69)	580 – 1,260 (22.83 – 49.61)	400 (882)	51400040-002



HVZ-UNI-II-EK with HVZ-UNI-II-PK-II

Paving Claw Adapter HVZ-UNI-II-PK-II

For safe installation of 90° herringbone block layers with no half blocks at the sides. If half blocks are missing from the block layer at the sides, individual blocks are not gripped by the installation clamp. The clamping elements of the HVZ-UNI-II-PK-II paving claw also grip these blocks and thus allow easy installation.

Comprises 2 support bars and 3 hydraulic clamping elements. The hydraulic clamping elements are fixed to the side clamp holders, i.e. they are automatically adjusted at the same time in the case of adjustment of the secondary clamp. The scope of delivery includes three hydraulically operated clamping elements, each with three additional adapters that can be changed without tools for block layers (see fig. left, concrete paving stones and bricks). Adapters for other block layers on request. Subsequent attachment to hydraulic installation clamp HVZ-UNI-II-EK is possible by Probst service.

- Low payload loss on truck loading crane.

Type	Dead Weight kg (lbs)	Order-Number
HVZ-UNI-II-PK-II	45 (99)	41401069



HVZ-UNI-II-EK with HVZ-FA-RE

Herring-Bone Adapter with RE-Blades HVZ-FA-RE

With the FA-RE adapters, the broadest range of block layers with missing blocks or half blocks at the side can be gripped safely. The infinitely adjustable RE blades ensure a firm grip on the blocks.

In this case, the side clamp is opened only after final placement of the block layer. The stable, hardened, thin RE spring steel blades are then withdrawn upwards between the blocks when the clamp is lifted away from the installed block layer. Subsequent attachment to hydraulic installation clamps HVZ-UNI-II and HVZ-UNI-II-EK is possible with no problem. Comprises two support bars with RE blade adapters.

- Durable surface protection by galvanizing.

Type	Dead Weight kg (lbs)	Order-Number
HVZ-FA-RE	35 (77)	41400557-009



HVZ-LIGHT

Hydraulic Installation Clamp HVZ-LIGHT

The light and reasonably priced entry-level clamp for mechanical stone laying, also suited to laying large slabs.

With no side clamping. Stone positions that are not interlocked can therefore not be displaced into the stretch bond.

Safe gripping function depending on the condition of the spacers and the quality of the stones. Weight without hydraulic rotator, C-Profiles and suspension.

- 2-position-suspension with springs to lessen the swinging caused by the driving movement.
- Additional chain to move the clamp diagonally enabling easier positioning and a much more precise installation of the blocks.
- Manually operated turning device which locks place after 90°.
- The hydraulic system allows an optimum of movement: Ensures safe gripping of the layer by the main grippers. The main gripping width opens to lay down the paving blocks in the laying course.
- Because of its light dead weight, the HVZ-LIGHT is particularly suitable for attachment to mini wheel loaders and mini excavators as well as for VM laying machines.
- For attachment to a carrier, only a hydraulic circuit is required.
- Durable surface protection by galvanizing.

Type	Length of Gripper mm (in)	Hight Stone/ Element mm (in)	Dead Weight kg (lbs)	Hydr. Volumetric Flow l/min (gpm)	Hydraulic Connection Pressure bar (psi)	Hydr. Backflow Pressure, max bar (psi)	Min. weight carrier kg (lbs)	Opening Width Main Gripper mm (in)	Working Load Limit/WLL kg (lbs)	Order-Number
HVZ-LIGHT	1,200 (47.24)	50 – 160 (2 – 6.29)	159 (351)	15 – 75 (3.96 – 19.82)	160 – 320 (2,321 – 4,641)	20 (290.08)	2,000 (4,409)	570 – 1,240 (22.44 – 48.82)	400 (882)	51400035

Accessories:

HVZ-LIGHT-ADV: Mechanical Pushing-off device can be retrofitted for all HVZ-LIGHT models. Because the pavers can not rock during the laying process, time consuming readjustment is avoided.

Type	Description	Dead Weight kg (lbs)	Working Load Limit/WLL kg (lbs)	Order-Number
HVZ-LIGHT-ADV	mechanical Pushing-off device	9 (20)		41401198
	Lifting eye for attaching to crane hook	0.9 (2)	1,000 (2,205)	31010004



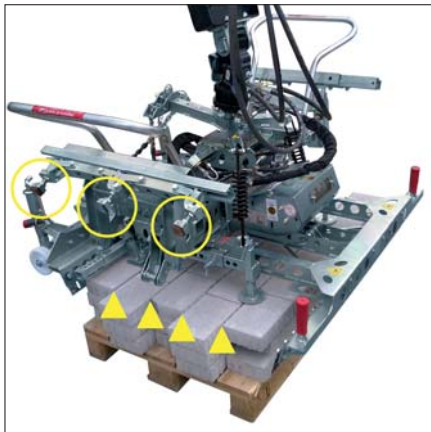
Accessories for Hydraulic Installation Clamp HVZ

Adapter

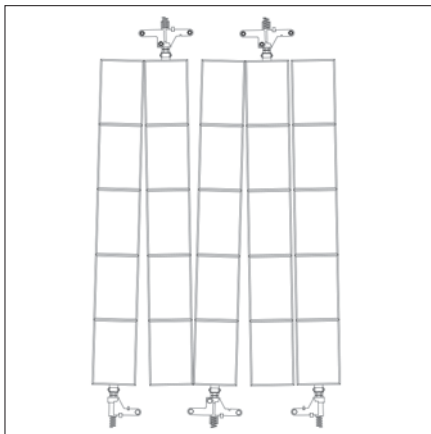
For some installation units it can be advantageous or even necessary, predominantly for the side grippers, to use a special adapter in order to achieve optimal gripping. The shifting adapter is used with rectangular stones, for instance, to shift pavers into the running bond. (Please, indicate stone formation).
When laying installation units in the herring-bone pattern, it is better not to bother with the half stones on the sides and to use a herring-bone adapter FA instead (Please, indicate stone formation).
Special adapters SA for installation units 21–24 or similar are available on request (please, indicate stone formation).

FA for HVZ-UNI

Type	Description	Dead Weight kg (lbs)	Order-Number
C-Profiles	50 x 30 x 950 mm (2 x 1 x 38 inch) B x H x L	6 (13)	34010018
C-Profiles	50 x 30 x 860 mm (2 x 1 x 34 inch) B x H x L	5.5 (12)	34010046
FA-Adapter for HVZ-UNI	(external bow not required)	10 (22)	41400277
FA-Adapter for HVZ-UNI-II/HVZ-ECO	(for rectangular pavers)	18 (40)	41400847
FA-Adapter for HVZ-UNI-II/HVZ-ECO	(for Uni pavers)	15 (33)	41401042
HD connection hose	600 mm (24 inch) long for hydraulic rotator Indexator 12 L	0.28 (0.62)	22000081
HD connection hose	1,100 mm (44 inch) long for hydraulic rotator HVZ 10 L	0.78 (1.72)	22000032
HD connection hose	1,700 mm (67 inch) long – HVZ 12 L	0.9 (1.98)	22000007
HD connection hose	2,500 mm (10 inch) long – HVZ/VZ-HS 12 L	1.1 (2.43)	22000014
HD connection hose	3,000 mm (10 inch) long – HVZ 12 L	1.7 (3.75)	22000312



HVZ-VA-SUPERSOFT-24/16-5x5 – Adapter units



HVZ-VA-SUPERSOFT-24/16-5x5

Shifting Adapter HVZ-VA-SUPERSOFT

With the new HVZ-VA-SUPERSOFT shifting adapters even „anti-shift pavers“ can be shifted easily and without damage.

Paving stone manufacturers are moving increasingly these days towards „anti-shift pavers“. The spacers are thus enlarged in order to prevent the pavers from shifting when heavy vehicles drive over them.

This increases the difficulty of shifting the pavers into the running bond during mechanical installation. Simply increasing the displacement force causes damage in the pavers.

Operating principle: The individual rows of pavers are spread apart a few millimetres in a V-shape before they are actually shifted.

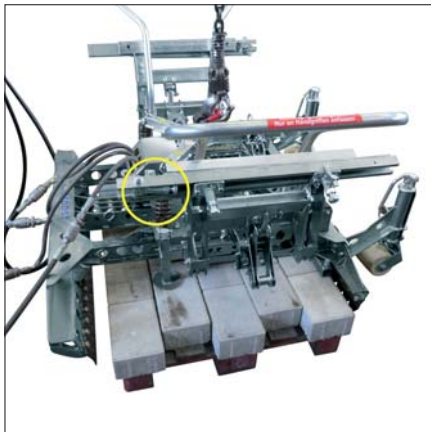
The pavers can then be shifted without damage; the spacers are undamaged and there is no damage on the pavers themselves.

The main gripping width subsequently compresses the individual rows again and grips the paving block layer. This takes place in one operation.

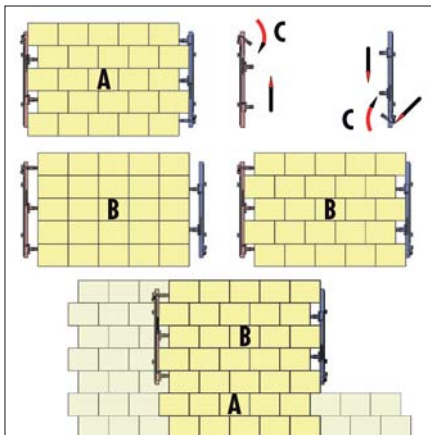
The shifting adaptor can be easily retro-fitted onto the C-profiles on the side gripping width of the hydraulic installation claws of the HVZ-ECO, HVZ-GENIUS, HVZ-GENIUS-II, HVZ-UNI and HVZ-UNI-II (with automatic programming on the VM-401).

- Durable surface protection by galvanizing.

Type	Dimensions Stone/Element L x W mm (in)	Dead Weight kg (lbs)	Paver Layer Rows x Stones/Row	Order-Number
HVZ-VA-SUPERSOFT-20/ 10-8x6	200 x 100 (7.87 x 3.94)	20 (44)	8 x 6	41400923
HVZ-VA-SUPERSOFT-24/ 16-5x5	240 x 160 (9.45 x 6.30)	16 (35)	5 x 5	41400924
HVZ-VA-SUPERSOFT-20/ 10-10x4-90°	200 x 100 (7.87 x 3.94)	30 (66)	10 x 4	41400951
HVZ-VA-SUPERSOFT-20/ 20-4x6	200 x 200 (7.87 x 7.87)	18 (40)	4 x 6	41401025



HVZ-VA-180°-24/16-5x5 – Position adapter, folding



HVZ-VA-180°-24/16-5x5

Shifting Adapter HVZ-VA-180°

In conventional laying of paving layers with uneven paving rows and shifting with the hydraulic installation clamp into the 1/3-bond, the following situation arises:
The first installation row A can be installed entirely normally, i.e. the paving layers interlock cleanly on the side after shifting.

For the second installation row B, the paving layer must first be shifted into the 1/3-bond then the clamp must be raised and turned through 180° with no blocks.

Subsequently, the side gripping width is deactivated by means of a ball valve, the paving layer is clamped again, the clamp is turned back through 180° with the paving layer and then installed. This must be done for every paving layer in even installation rows (2, 4, 6...), so that the running bond aligns.

With the new HVZ-VA-180° shifting adapters from Probst this time-consuming effort is no longer required for installation of even installation rows.

The two shifting adapters are screwed onto the C-profiles of the side gripping width.

With a C grip, it is now possible by simple shifting of the two position adapters and by folding in and out the third position adapter, to adjust the side gripping width on which side 2 or 3 blocks are shifted into the 1/3 running bond.

The shifting adapter can be easily retro-fitted onto the C-profiles on the side gripping width of the hydraulic installation claws of the HVZ-ECO, HVZ-GENIUS, HVZ-UNI and HVZ-UNI-II (with automatic programming on the VM-401).

- Durable surface protection by galvanizing.

Type	Dimensions Stone/Element L x W mm (in)	Dead Weight kg (lbs)	Paver Layer Rows x Stones/Row	Order-Number
HVZ-VA-180°-24/16-5x5	240 x 160 (9.45 x 6.30)	13 (29)	5 x 5	41400988

1

Paving with the excavator – with hydraulic add-on clamps



HVZ-GENIUS

Mechanical installation using an excavator with a hydraulic installation clamp has many advantages:

- Reduce downtimes as you can use the excavator more frequently on site.
- Simple operation for experienced excavator operators thanks to fully automatic movement sequences. Both grab and laying processes are governed by one control lever.
- The excavator can lay blocks efficiently and quickly without moving its position because of its broad reach and swivel movement.
- Low acquisition costs.
- Even a 2.5t mini excavator can install pavers.
- Increased profitability for the excavator.
- Areas particularly suitable for excavator slab laying are: footpaths and cycle tracks, parking spaces and agricultural road construction.
- High-quality installation thanks to ADV pushing-off device. Comes as standard on the HVZ-GENIUS-II and HVZ-ECO.
- Clamp can be adjusted quickly and easily to the dimensions of the units to be installed; no additional tools needed.
- Clamp can be applied easily via the pendulum-mounted set-down rollers.
- Increased utilisation thanks to the hydraulic continuous 360° rotary motor with free-wheel capability, fitted as standard.



HVZ-GENIUS-II

Hydraulic Installation Clamp HVZ-GENIUS-II

The highly efficient excavator attachment grab now with significantly increased shifting force.

With only one single hydraulic circuit required and the fully automatic selectable motion sequences the HVZ-GENIUS-II is a powerful all-rounder without being dependent on electric current.

Equipment for shifting other stone formats e.g. such as H-stones on request.

No cost-intensive filter maintenance.

Specific, automatic pushing-off device ADV.

Complete with continuous hydraulic rotator, hoses and suspension for excavator, and now also includes a bracket for quick-release adapters.

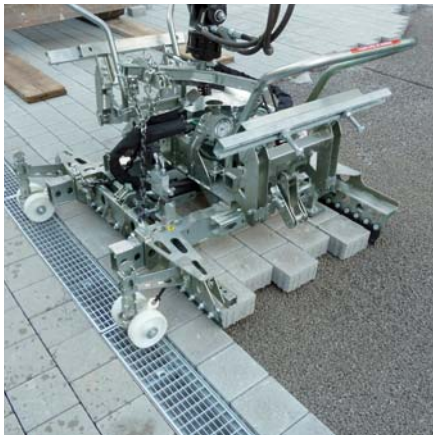
Safe gripping function depending on the condition of the spacers and the quality of the stones. Weight without hydraulic rotator, C-Profiles and suspension.

- An inspection glass provides a better view of the drum control's direction of rotation.
- Larger safety handles with a new design.
- Now with a scale for even easier adjustment of the main gripping width.
- Allows automatic shifting of rectangular pavers into running bond.
- Flush laying without any gap along walls and kerbs.
- Overlaying handles are quickly removable.
- No retrofitting of the excavator.
- The HVZ-GENIUS-II can be fit to all types of excavators. Thus no additional investment in case the clamp is to be attached to different types of excavators.
- Gripping range can be easily adjusted without additional tools.
- The supporting wheels can be adjusted easy and quickly through a crank handle.
- Grab swing brake between hydraulic rotator and excavator suspension.
- First-class, electrogalvanised material components guarantee optimum operating safety and long life cycle.
- Durable surface protection by galvanizing.

Scope of delivery:

HVZ-GENIUS-II: Including rotator. With a tool holder for tubular and Allen keys 2 C-Profiles 860 mm/34 inch long and 10 Positioning Adapters to shift pavers by 100 mm/4 inch.

Type	Length of Gripper mm (in)	Dead Weight kg (lbs)	Hight Stone/ Element mm (in)	Hydr. Volumetric Flow l/min (gpm)	Hydraulic Connection Pressure bar (psi)	Hydr. Backflow Pressure , max bar (psi)	Opening Width Main Gripper mm (in)	Opening Width Side Gripper mm (in)	Working Load Limit/WLL kg (lbs)	Min. weight carrier kg (lbs)	Order-Number
HVZ-GENIUS-II	1,000/ 1,200 (3.37/ 47.24)	339 (747)	50 – 160 (2 – 6.29)	25 – 80 (6.61 – 21.14)	180 – 320 (2,611 – 4,641)	10 (145.04)	580 – 1,470 (22.83 – 57.87)	960 – 1,440 (37.80 – 56.69)	400 (882)	3,500 (7,716)	51400042



HVZ-ECO

Hydraulic Installation Clamp HVZ-ECO

The high-performance attachment for mini excavators – now even more powerful and with a reduction of dead weight at the same time.

HVZ-ECO especially designed for mechanical paver installation with smaller mini excavators. Multifunctional with high performance and cleverly thought out hydraulic control: only one hydraulic circuit is required to run all motion sequences including the automatic shifting of rectangular pavers into the running bond. Equipment for shifting H-stones on request.

Fitted onto a paving installation machine, the automatic programme sequence allows even inexperienced drivers to achieve good laying performance very quickly. The single-circuit control is started/stopped simply using the intersection control lever or electric joystick on the paving installation machine. For standard equipment see HVZ-GENIUS.

Safe gripping function depending on the condition of the spacers and the quality of the stones. Weight without hydraulic rotator, C-Profiles and suspension.

- Due to high-tensile material and innovative design the dead weight of the HVZ-ECO clamp is reduced.
- The slim construction offers a good overall view.
- Better pick up and installation due to the adjustment possibilities at the attachment.
- Absorption of the swing motion by damping springs.
- In just a few simple steps and without additional easily adjustable.
- Durable surface protection by galvanizing.

Scope of delivery:

HVZ-ECO: Including rotator. 2 C-Profiles 860 mm/34 inch long and 10 Positioning Adapters to shift pavers by 100 mm/4 inch.

Type	Length of Gripper mm (in)	Dead Weight kg (lbs)	Hight Stone/ Element mm (in)	Hydraulic Connection Pressure bar (psi)	Hydr. Volumetric Flow l/min (gpm)	Hydr. Backflow Pressure , max bar (psi)	Opening Width Main Gripper mm (in)	Opening Width Side Gripper mm (in)	Working Load Limit/ WLL kg (lbs)	Min. weight carrier kg (lbs)	Order-Number
HVZ-ECO	1,200 (47.24)	227 (500)	50 – 160 (2 – 6.29)	180 – 320 (2,611 – 4,641)	25 – 80 (6.61 – 21.14)	10 (145.04)	580 – 1,260 (22.83 – 49.61)	960 – 1,440 (37.80 – 56.69)	400 (882)	2,500 – 2,800 (5,511 – 6,172)	51400034

Accessories:

Type	Description	Dead Weight kg (lbs)	Order-Number
HVZ-ABA	Support for excavator adapter	5.3 (12)	41401008
HVZ-ECO-PEA	Set of PE supports for height adjustment	1.8 (3.97)	41401058



left: LSW-MS-08. top: LSW-MS-03.
right: LSW-MS-03 + MS-08

Adapter suspension Lehnhoff LSW for HVZ-GENIUS-II / HVZ-ECO

By using the SW, the HVZ-GENIUS-II / HVZ-ECO can be fitted to all kind of excavators which are equipped with the Lehnhoff quick-change-device.



left: UBA-1200. right: Fork to LW 86 universal joint

Universal-Excavator-Suspension UBA

Suitable for most current excavators, maximum bolt diameter up to 70 mm, incl. adapter set of spacer sleeves.

Advantage: The HVZ can be quickly and easily fastened to any excavator.

Hydraulic connection hoses to connect the HVZ to the carrier.

Connection: 12 L Cutting Ring.

2 Hoses are necessary per machine.

Type	Description	Dead Weight kg (lbs)	Working Load Limit/WLL kg (lbs)	Order-Number
LSW-MS-01	Suitable for Lehnhoff-Type MS-01	19 (42)	800 (1,764)	40110178
LSW-MS-03	Suitable for Lehnhoff-Type MS-03	29 (64)	1,000 (2,205)	40110268
LSW-MS-08	Suitable for Lehnhoff-Type MS/HM 08	75 (165)	1,000 (2,205)	40110269
LSW-MS-03 + MS-08	Suitable for Lehnhoff-Type MS-03 and MS-08	49 (108)	1,000 / 1,000 (2,205 / 2,205)	40110434
LSW-MS-01 + MS-03	Suitable for Lehnhoff-Type MS-01 and MS-03	19 (42)	800 / 1,000 (1,764 / 2,205)	40110479
Fork to LW 86 universal joint for LSW 03 + LSW 08 Lehnhoff adapter + UBA-1200/3000		3.6 (7.94)	1,200 (2,646)	40110278
UBA-1200		15 (33)	1,200 (2,646)	41400571
UBA-3000		18 (40)	3,000 (6,614)	41400088

1



VTK-V with supporting wheel



VTK-V with AR

Adjustable Paver Transport Cart VTK-V

For the effortless transportation of bound or loose pavers, kerb stones, slabs, etc.

Clamping is done by operating a lever 90° (maximum pressure 15 kg).

Adjustable gripping width from 550 mm – 1,050 mm.

The minimum and maximum gripping widths can be altered using special grippers.

- An integral protection device prevents overloading of the clamping mechanism.
- A favourable load distribution and the light-weight-nature of the device ensures optimal operating.
- Its narrow build means it can be used on the smallest building sites.
- Blocks can easily be loaded from the pallet without the need of a ramp.
- Fully mechanical.
- Adjusts smoothly and without the need for tools.
- Durable galvanized surfaces.

Type	Length of Gripper mm (in)	Dead Weight kg (lbs)	Height Stone/Element mm (in)	Clamping Range mm (in)	Working Load Limit/WLL kg (lbs)	Order-Number
VTK-V	200 (7.87)	68 (150)	900 (35.43)	550 – 1,050 (21.65 – 41.34)	400 (882)	51100015

Accessories

Type	Description	Dimensions L x W x H mm (in)	Dead Weight kg (lbs)	Order-Number
VTK-V-AR	Access ramp for VTK-V, to make picking up interlocking paving stones on the pallet easier. L = 700 mm (27.55 in), W = 850 mm (33.46 in), H = 160 mm (6.29 in)	700 x 850 x 160 (27.56 x 33.46 x 6.30)	10 (22)	51100014
VTK-V-SR/N	Supporting wheel for easy handling on even ground. Can be additionally attached at any time.		7 (15)	41100041



Pallet-Cart PW-III

For the transportation of palletised products on the building site.

The forks are driven under the pallet, the two main wheels are then located on the pallet's left and right sides. The load is raised using the hand pump and hydraulic cylinder.

- With large rubber wheels for easy movement.

PW-III with drawbar

Type	Description	Dimensions Palette L x W mm (in)	Dead Weight kg (lbs)	Working Load Limit/WLL kg (lbs)	Order-Number
PW-III	adjustable	1,250 x 1,263 (49.21 x 49.72)	195 (430)	1,500 (3,307)	51100011

Accessories:

Type	Description	Dead Weight kg (lbs)	Order-Number
Drawbar	Retrofit kit with braking function	7 (15)	42300038



EF-H

EASYFILL EF-H Paver Jointing Device

Easy, flexible, quick and thus cost-saving filling of paver joints for small and medium sized areas. Filling material can be filled in both dry or by adding water.

Your Advantages: High Physical Relieve of Staff.

80% less pushing force due to cleverly designed rotating brushes. This results in an integrated forward drive!

- Robust and Long-life Brushes.
- Up to 50 mm of the bristle length can be worn before replacement.
- Continuous & Quick Adjustment of brushes in height through a spindle fixed to the machine.
- Compact Transport Size. A foldable handle reduces the size to (L x W x H) 800 x 1,170 x 635 mm/ 32 x 46 x 25 inch.
- Fine Dosing of Water with tap integrated in handle.
- With high-quality petrol engine.

Type	Dimensions L x W x H mm (in)	Type of Drive Petrol Engine kW	Working Width mm (in)	Dead Weight kg (lbs)	Order-Number
EF-H	800 x 1,170 x 635 (31.49 x 46.06 x 25.00)	4	1,170 (46.06)	112 (247)	51700003

Accessories:

Type	Dead Weight kg (lbs)	Order-Number
Brush for EF-H	0.75 (1.65)	41700002



EF-H-GREENLINE



EASYFILL EF-H GREENLINE Paver Jointing Device

Joint filling with electric forward drive.

Fast and flexible filling of pavement joints on small and medium sized areas. The joint material can be grouted either dry or with the addition of water.

The EF-H-Greenline works emission-free and quietly. The electric drive is a great advantage, especially when working in city centres or underground car parks.

With one battery charge, approx. 100 m² (1076 sq ft) of surface can be grouted in 40 minutes.

The electric drive not only drives the brush discs, but also generates a forward drive! This means that the unit does not have to be pushed with a lot of force, it just needs to be guided!

- Rigid, resistant brushes for optimal joint filling.
- Continuous height adjustment of the brushes.
- Electric drive – lithium-ion battery.
- Powered by rechargeable 82V lithium-ion battery (exchangeable battery concept), additional batteries optionally available. Charging time approx. 75 min.

Scope of delivery:

EF-H-GREENLINE: EASYFILL Paver Jointing Device, 1 x battery and 1 x charger 220V/82 V.

EF-H-GREENLINE-110: EASYFILL Paver Jointing Device, 1 x battery and 1 x charger 110V/82 V.

Type	Dimensions L x W x H mm (in)	Battery Capacity Ah	Type of Drive electric/Battery kW	Working Width mm (in)	Working Voltage V	Dead Weight kg (lbs)	Order-Number
EF-H-GREENLINE	800 x 1,170 x 635 (31.49 x 46.06 x 25.00)	5	1.5	1,170 (46.06)	82	112 (247)	51700008
EF-H-GREENLINE-110	800 x 1,170 x 635 (31.49 x 46.06 x 25.00)	5	1.5	1,170 (46.06)	82	112 (247)	51700009

Accessories:

Type	Description	Battery Capacity Ah	Working Voltage V	Dead Weight kg (lbs)	Order-Number
Battery 82V/ 5Ah	Battery for EF-H-GREENLINE	5	82	2.6 (5.73)	24200148
EF-H-LG-220V/ 82V	Battery charger for EF-H-GREENLINE			1.562 (3.44)	24110216
EF-H-LG-110V/ 82V	Battery charger for EF-H-GREENLINE-110			1.475 (3.25)	24110221
Brush for EF-H				0.75 (1.65)	41700002



Sweeping Broom EB

For efficient sand sweeping after the laying of block pavers. Fast filling of the joints by innovative system of brush-arrangement.

The broom can easily be attached to any other carrier – wheel loader, for example.

- This sweeping broom does not only brush the sand horizontally into the joints, but also diagonally. So the sweeping is a one-way procedure.
- Surplus sand can easily be moved further on.
- With attachment device for laying machine VM-301/401/203/204 as well as for fork attachment.
- The broom can easily be attached to any other carrier – wheel loader, for example.

EB-120/240

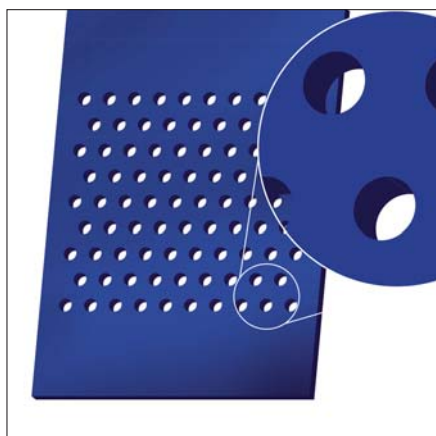
Type	Description	Working Width mm (in)	Dead Weight kg (lbs)	Order-Number
EB-120/240	Sweeping Broom complete incl. linkage	1,200 – 2,400 (47.24 – 94.49)	105 (231)	51600021
EB-120	Sweeping Broom complete incl. linkage	1,200 (47.24)	64 (141)	51600019

Accessories:

Type	Description	Dead Weight kg (lbs)	Order-Number
Brush for EB	Brush for EB per piece	1.3 (2.87)	41600002



SXR



SXR

Surface Saver SXR for Vibration Plates

Fast, gentle and covering the entire surface – with the SXR mat for vibrating plates you can distribute jointing material into the paving joints much more efficiently than with standard mats without holes.

The integrated honeycomb technology of the protective mat serves as a reservoir for the jointing material.

The recesses minimise the slowing down of the vibration plate due to accumulated sand piles.

Damage to paving stones with a textured surface, clay stones, natural stones and pavement slabs is also significantly reduced when using the surface saver. The result is an area-wide distribution of the joint material and an intact substrate.

- Suitable for almost all vibrating plates. Honeycomb polyurethane mat 760 x 560 x 10 mm / 30 x 22 x 0.39 inch (L x W x H).
- Also suitable for reversible vibrating plates (forward as well as reverse).
- Optional extra: second clamping strip to be able to attach the protective mat to the front and rear of the vibrator if required.

Scope of delivery:

SXR: Set consisting of plastic mat, clamping strip, screws and drill bit.

Type	Description	Dimensions L x W x H mm (in)	Weight Total Weight kg (lbs)	Order-Number
SXR	Protective mat for vibration plate incl. fixing material	760 x 560 x 10 (29.92 x 22.05 x 0.39)	6.82 (15)	41350014

Accessories:

Type	Description	Order-Number
Clamping strip	with fixing material	41350016



EC-60



Accessories for EC-60. Set SL-8 (right) + CK (left)



Accessories for SL-8. DF (left), SSK (right)

EASYCLEAN EC-60 Paver Cleaning Device

Highly efficient, engine-equipped high pressure cleaner with splash guard. It enables fast and consistent cleaning of concrete pavers, slabs and natural stone pavement even during the trading hours in pedestrian areas!

- Cleans Up to 5 Times More. Compared to lance-equipped pressure washers. 2 fast rotating special spray nozzles ensure that.
- New Looking Pavement in colour and structure by even surface and joint cleaning in one go.
- Independent from Power Supply due to powerful gasoline engine.
- Reduced Preparation Time since the splash guard is an excellent protective measure. Thus no fouling of the surrounding area and the user. This modern design makes protective clothes for the user unnecessary.
- Save Cleaning of Joints.
- High Safety for Surrounding Area due to covered work space.
- Dirt is Flushed Aside by an integrated flushing system.
- Improved Water Permeability. Sediment-free joints allow more water to pass.
- Independent of mains power, the powerful high-pressure pump (max. 150 bar operating pressure) is driven by a powerful 4 KW (5.5 hp) Honda petrol engine, only a water supply is needed (bayonet fitting, minimum water pressure = 0,3 bar/psi, minimum volume flow, 20 l/min).
- Easy movement of machine: wheels below the splash guard allow easy handling.
- Handle with integrated stop cock for water supply cut-off.
- Compact Transport Size. A foldable handle reduces the size to (L x W x H) 800 x 600 x 500 mm / 31 x 24 x 20 inch which suits most car boots.
- Long-Life Splash Guard. Stainless steel protects against rust.

Scope of delivery:

EC-60: Including Water Hose Adapter WSA-Gardena as a standard feature (adapter for connecting the EC-60 bayonet coupling to a Gardena water hose coupling).

Type	Dimensions L x W x H mm (in)	Type of Drive Petrol Engine kW	Working Width mm (in)	Dead Weight kg (lbs)	Water Volumetric Flow, min l/min (gpm)	Water Connection Pressure, min bar (psi)	Order-Number
EC-60	800 x 600 x 500 (31.49 x 23.62 x 19.69)	4	600 (23.62)	53 (117)	20 (5.28)	0.3 (4.35)	51700004

Accessories:

Spray Lance SL-8 and Chemical Kit CK: Spray Lance SL-8: Complete spray lance, nozzles adjusted to the high pressure pump, lance head with integrated switch for high/low pressure, including high pressure hose with 8 m length.

Chemical Kit CK: Our high pressure pump is equipped with a metering unit for chemical additives. The CK enables the intake and the dosage of such additives from containers.

Dirt Drill DF: Spray lance head with integrated dirt drill for erasing heavy dirt. Can be fixed within seconds to the SL-8.

Sand Blasting Kit SSK: For erasing persistent dirt up to derusting and similar applications. This kit allows intake and dosage of sand for blasting (sand is not included in kit).

Type	Description	Dead Weight kg (lbs)	Order-Number
Spray Lance SL-8 and Chemical Kit CK		4.7 (10)	26110032
Dirt Drill DF		0.59 (1.30)	26110026
Sand Blasting Kit SSK	(0.1 – 0.5 mm / 0.004 – 0.02 inch grain quartz sand)	2.6 (5.73)	26110033



PP with FSD-PP

POWERPLAN PP Screeding Machine

The Screeding Machine POWERPLAN PP was specially designed to screed such bedding material without major wear on the machine. Standard Asphalt Paving Machines, (Finisher) are working with scratch conveyors and worm shafts to distribute the material. When screeding sand or chippings for the bedding of concrete pavers, this abrasive material is wearing away these components very fast, which is causing high maintenance costs.

Whether subbase, base or gravel (up to grain size 0/63), split, whether sand or even bedding material, the POWERPLAN PP from Probst takes on installation of the relevant material in one go (up to installation height 20 cm / 7¾ inch) – at absolutely accurate height.

Depending on height profile and kind of control system used, it is possible to screed per day between 2.500 sqm (27,000 sqft) using sonic control or up to 10.000 sqm (107,500 sqft) using laser control feature.

4-cylinder diesel motor, 18.5 kW / 25.2 hp. Complies with EU emission regulations level V and TIER IV final (USA), no restriction in environmental zones, as engine power < 19 kW.

Hydraulic liftable front chute.



PP

Type	Description	Type of Drive Diesel Engine kW	Working Width mm (in)	Driving Speed km/h (mph)	Weight Total Weight kg (lbs)	Weight Dead Weight kg (lbs)	Length mm (in)	Payload kg (lbs)	Volume Hopper m³ (ft³)	Order-Number
PP	Screeding Machine	18.5	2,050 – 3,450 (80.71 – 135.83)	2.1 / 4.3 (1.3 / 2.7)	6,000 (13,228)	2,526 (5,569)	3,670 (144.49)	3,500 (7,716)	2.5 (88.29)	51300011
S/US-PP	Levelling Kit: 2 x regulator, 2 x ultrasonic sensor, cable set, incl. tilt sensor, case					32.4 (71)				41300259



PP

Sideways foldable chutes to avoid that material is spilling over the side of the hopper. Two independently hydraulically operated lids at the bottom of the hopper to perfectly control the material flow.

Basic width of the screed board 2,050 mm (81"). By using one board extension on either side extendable to 2,400 mm (94") or even 2,750 mm (108").

On either side one smoothing board can be fixed to extend the full working width to 3,450 mm (136"). Smooth-running adjustable cantilevers for holding the sonic sensors (sonic ski), complete scanning width up to 6,500 mm (256"). So a 6,000 mm (236") wide road can be screeded scanning from kerb to kerb.

Compact transportation measurements H x B x L 1,900 x 2,050 x 3,400 mm (75" x 81" x 134") can be transported on a car trailer.

Height control system optional via: 1. Sonic sensors (sonic ski). 2. Laser sensors. 3. Inclination sensors.

■ Quick filling of the hopper reservoir with a wheel loader shovel up to 2,500 mm (98") wide, from the front or sideways.

■ Simple operation by well arranged instruments. Perfect visibility to relevant spots.

Accessories:

Type	Description	Weight Dead Weight kg (lbs)	Order-Number
LS-PP	Laser Kit: 2 x laser receiver & case	7 (15)	41300006
LXS	Laser Set, consisting of: Leica Rugby CLI/CLX 900 (rotating biaxial horizontal laser), with charger, Li-ion battery, hardcase, binoculars, handheld receiver with integrated remote control and clamp holder	5.0 (11)	24290024
TL-LXS	Telescopic Leveling Post	3.1 (6.83)	71150003
ST-LXS	Tripod for Laser transmitter	40.9 (90)	71150002
FSD-PP	Foldeable and detachable sun/rain roof for the operator	70.9 (156)	41300004
Reversing alarm	For POWERPLAN PP		41300108
RKL-PP	Flashing Beacon	3.5 (7.72)	41300109
Diesel particle filter DPF	For POWERPLAN PP	34.3 (76)	41300192
LED-Light package PP	4 additional LED work lights		41300115

Diesel particle filter DPF: Protects employees from inhaling dust particles that are harmful to health. A DPF is recommended for use in underground car parks, halls or other buildings. Owing to the modular structure of the machine, even older models can be retrofitted with a diesel particulate filter. (Retrofitting possible only at Probst)

- In stainless steel/aluminium casing with quick-release fastener for easy changing of the filter cartridge.
- Disposable filter cartridge (disposal: overground landfill, landfill class II, tied up in a plastic bag), service life > 400 operating hours depending on maintenance condition of the motor.
- Separation rate > 97% of all particles.
- Authorisation/certificates: Vert certificate: check no. B175/12.05, regulations according to TRGS 554 are fulfilled.
- Improvement of the exhaust gas sound insulation as the particle filter acts as an additional silencer.
- The filter casing is fitted with a pressure switch + electronic evaluation system => warning light on instrument panel is illuminated when differential pressure too high => filter change required.
- Delivery contents: filter casing with integrated change filter, pressure switch, electronic evaluation system, installed ready for use with supporting frame and perforated plate cover. We recommend ordering an additional replacement filter cartridge.



LK-2200 + LK-KS



LK-2200



LK-2200 + LK-KS

LEVELKING LK Screeding Attachment

As against conventional screeding blades the LEVELKING works with integrated smoothening board. With this function it is possible to screed not only the subbase, rather the top bedding for paver laying. The LEVELKING screed fully automatic controlled, accurate, fast and efficient and is a real alternative to our wellknown POWERPLAN PP.

Due to the fully automatic height adjustment the screeding is much faster than compared with regular rail-guided systems. The LEVELKING is attachable to wheel loaders, skid-steer- and telescopic loaders. The special advantage is the already integrated floating position. There is no need for this function for the carrier machine.

Applications: construction for streets, alleys and paver laying. Screeding of hall floors, sports- and industrial areas.

Complete control system, incl. 2 Laser Sensors and 1 Three-Axle Slope Sensor optionally available. Within 2 minutes the control elements can be connected in the cabin into the cigarette lighter.

All components (optional: laser/cross slope/ultrasonic) can be combined depending on the situation of the site.

- Hydraulic adjustment of the side wings via joystick.
- High precision control of all functions by proportional valves.
- The shovel form can also be used to carry the material forward. Special advantage: no additional loader needed!
- The attachment is equipped with a universal flange plate for the connection. It fits to all common carriage plate sizes and profiles.
- Optionally available: Hydraulic folding shovel with holding capacity of approx. 0.6 m³ for even better material take-up and material distribution.

Scope of delivery:

LK-2200: Basic version with machine Control and control box inc. all cables, 2 hydraulic hoses.

Type	Description	Working Pressure bar (psi)	Working Voltage V	Width mm (in)	Dead Weight kg (lbs)	Hydr. Volumetric Flow l/min (gpm)	Hydr. Backflow Pressure , max bar (psi)	Volume Shovel m ³ (ft ³)	Order-Number
LK-2200		180 – 250 (2,611 – 3,626)	12	2,200 (86.61)	960 (2,116)	30 – 100 (7.93 – 26.42)	20 (290.08)	0.6 (21.19)	51300013
LK-LE	Laser receiver for LK-2200								41300247
LK-NS	3-axis slope sensor for LK-2200								41300256

Accessories:

LK-MUS-1300: This sensor can be attached to the left or right side. The sensor fully-automatically controls the height as well as the relevant hydraulic pivoting side wings. Thus keeping the ultrasonic sensor in correct reference position (string or edge) and consequently compensates driving inaccuracies.

LK-SH2: in combination with the tri-sonic-sensor left and right side heights can be controlled.

LK-S: 2 sensors for mounting on the two levelling cylinders. This makes it possible to move the levelling screed to the centre position at the push of a button.
Advantage: no manual adjustment of the screed via joystick.

Type	Description	Dead Weight kg (lbs)	Volume Shovel m ³ (ft ³)	Order-Number
LK-MUS-1300	1 Tri-Sonic Sensor incl. bracket, hence automatic Side-Shift-Function of the side wings. Please note: only one (1) Tri-Sonic Sensor can be used with the LEVELKING LK	2.5 (5.51)		41300121
LK-KS	Hydraulic folding shovel for LK-2200	50 (110)	0.6 (21.19)	41300188
LK-SH2	1 standard ultrasonic sensor w/o side-shift function, incl. holder	11.4 (25)		41300162
LK-S	Sensor system for automatic centre position of the screed			41300250
LXS	Laser Set, consisting of: Leica Rugby CLI/CLX 900 (rotating biaxial horizontal laser), with charger, Li-ion battery, hardcase, binoculars, handheld receiver with integrated remote control and clamp holder	5.0 (11)		24290024
TL-LXS	Telescopic Leveling Post	3.1 (6.83)		71150003
ST-LXS	Tripod for Laser transmitter	40.9 (90)		71150002



TAK-750

Telescopic Screeding Bucket TAK

Universally suitable for precise preparation of the laying course. Specially designed for mechanical operation.

- Special aluminium profiles – Extremely solid with low-wear and high-tensile alloy which are designed to be fully telescopic and continuously adjustable. With integrated jam system to lock and release the telescopic segments in any desired position.
- Each side equipped with height-adjustable and smooth-running roller units with sliding metal sheets and deflectors.
- No height mismatch at the single telescopic junctions as all profiles are arranged at the same level.
- The skillfull design of the profile and its height of 300 mm (11.81 inch) allows the distribution of lots of material. By universally suitable handling attachment, the TAK can be lifted and transported.
- The bucket filled with screeding material can be picked-up with a wheel loader for accurate discharge.

Scope of delivery:

TAK-750: Recommended professional model, consisting of: 1 each Aluprofile 1,100, 1,700, 2,700, 3,000 mm (43.30, 67, 106.29, 118 inch) long, with integrated jam system. 1 set = 2 units height adjustable roller units with wipers, with handling system for operating with loader.

1 pair = 2 units pulling chains, incl. hooks each working width between 1,200 mm (47.24 inch) and 7,500 mm (295.27 inch) can be achieved.

TAK-350: Basic model, as described above, only with 2 Alu-Segments each 1,700 mm (67 inch) long, achieving each working width between 1,750 mm (69 inch) and 3,500 mm (137.79 inch).

Type	Working Width mm (in)	Dead Weight kg (lbs)	Order-Number
TAK-750	1,200 – 7,500 (47.24 – 295.28)	285 (628)	51000013
TAK-350	1,750 – 3,500 (68.90 – 137.80)	200 (441)	51000018



TAK-DP

Telescopic Screeding Bucket TAK-DP

With this adjustable intermediate part, roof and tub profiles of $\pm 3\%$ can be produced.

- Equipped with a scale for setting the profile in %.

Type	Description	Dead Weight kg (lbs)	Length mm (in)	Order-Number
TAK-DP	Adjustable adapter	40 (88)	1,500 (59.06)	41000042



TAS-UNI-450

Telescopic Screeding System TAS-UNI

Universally suitable for precise and flexible screeding of laying courses on both, large and small sites. Comfortable upright working position.

Platform atop the roller unit on which the operator can stand to increase the pressure to the ground when using the TAS-UNI mechanically.

Each side equipped with height adjustable roller units, including screeding rail cleaning wiper as well as material turn-away metal sheet.

The aluminium profile has been optimized. So the device does neither move upwards when pulled by hand nor when pulled with chains mechanically. In one run a clean and exact screed can be produced.

- The profile was increased in order to be able to move more material when the pre-distribution of the screeding material is very rough.
- Working width up to 6,000 mm (20 feet) by duplicating the profile.
- Special aluminium profiles, consisting of a low wear, high-tensile alloy are designed to be fully telescopic with one another, seamlessly. With integrated jam system to lock the telescopic parts in any desired position.
- All metall parts are galvanized.
- Proper height adjustment can be read from a scale (0 – 25 cm / 0 – 9.84 inch).
- For hand operation the TAS can be easily pulled by means of standard shovels while standing in comfortable upright position.

Scope of delivery:

TAS-UNI-450: recommended basic configuration: 1 Aluminium-Profile each of 750, 1,000, 1,750, 2,000 mm (29.52, 39.37, 68.89, 78.74 inch) long with integrated clamping adjustment.

1 set = 2 side positioned, height-adjustable roller units with metal steps and sheet-metal wipers with integrated fastener for the required segments with hook-in-system for shovel. 2 pulling chains, incl. hooks.

TAS-UNI-600: standard configuration as above, plus 1 Alu-Profile 3,000 mm (118.11 inch) long.

Type	Working Width mm (in)	Dead Weight kg (lbs)	Order-Number
TAS-UNI-450	750 – 4,500 (29.53 – 177.17)	85 (187)	51000100
TAS-UNI-600	750 – 6,000 (29.53 – 236.22)	110 (243)	51000101



TAS-UNI-DP

Adjustable Adapter for Roof-/Pan Profile TAS-UNI-DP

With this adjustable adapter any roof or pan profile of +/- 4% can be screeded.

- The adapter can be adjusted exactly and directly above scale.

Type	Description	Width mm (in)	Dead Weight kg (lbs)	Order-Number
TAS-UNI-DP	1 adjustable adapter for roof and pan profiles (+/- 4 %)	2,100 (82.68)	25 (55)	41000173



EP-UNI-230/300

EASYPLAN EP-UNI Handscreeding System

The EP-UNI is an optimal hand-tool for an economical performance of smaller and medium-sized sites. It's quicker, easier and better.

Flanged at the sides, optionally available height-adjustable roller units take the height off existing kerbs, pavers or similar. This is possible not only with the basic element but also with the telescopic elements. No further rail gauges are necessary, thus granting additional time-saving!

- Continuously adjustable telescopic elements.
- With only one system you can screed different working widths easily and exactly. EP-UNI is adjustable to the required working width between.
- With two telescopic elements the basic Alu-profile can be enlarged.
- Including special key for fast mounting of the telescopic elements and the roller units.
- No flexing with the strong Alu-profile, even at working-widths up to maximum 3 m!
- Due to special design, the profile does not leave the screeding rail even when working with large quantities of screeding material.
- The handle of EP 230/300 is adjustable to the required angle-positioning.
- The special design of the handle enables the operator to use their bodyweight to exert pulling force in every position of the EP-profile.
- With the EP 90/230 the screeding material can be carried and filled exactly into the gaps left by the screeding rails, for example water-pipes.
- Handle removable for transport.

Scope of delivery:

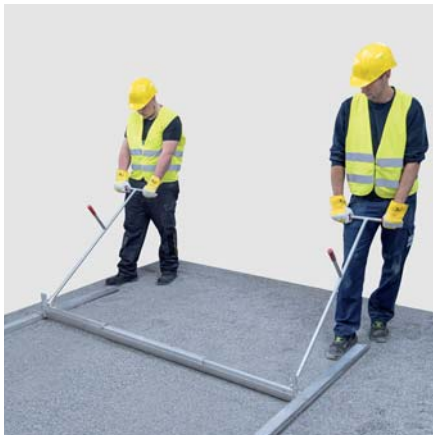
EP-UNI-Set 90/230: 1 Alu-Profile each 900 mm (35.43 inch) and 1,600 mm (63 inch), 1 handle, 2 telescopic units each 350 mm. (13.77 inch)

EP-UNI-Set 230/300: 1 Alu-Profile 2,300 mm, 1 three-dimensional handle, 2 telescopic units each 350 mm. (13.77 inch)

Type	Working Width mm (in)	Dead Weight kg (lbs)	Order-Number
EP-UNI-Set 90/230	900 – 2,300 (35.43 – 90.55)	16 (35)	51000040
EP-UNI-Set 230/300	2,300 – 3,000 (90.55 – 118.11)	15 (33)	51000041

Accessories:

Type	Description	Dead Weight kg (lbs)	Length mm (in)	Order-Number
EP-UNI-RS	Set of Roller Units (can be added later)	4.8 (11)		41000165
1 Set of Telescopic Units	for EP-UNI 2 x 350 mm (13.77")	3 (6.61)	350 (13.78)	41000164



TP-150/260 with HG-ERGO-DUO



TP-150/260 with HG-ERGO-SOLO
bottom right: Roller set TP/FP-RS

TELEPLAN TP Handscreeding System

The TELEPLAN TP aluminium profile is sickle shaped. As a result the profile cuts itself into the bedding material and does not move upwards! No need for executing any force to push it down when pulling. Especially when screeding compacted sand, also in case of the screed bar cannot be moved sideways sawing off the bedding material due to lateral obstacles or boundaries, the advantages of the TP profile are enormous with regard to effort of energy, working speed and high-quality performance of the laying course. Two (2) TP profiles can be connected together in order to be telescopically adjusted in a simple and sturdy way. Thus one and the same tool can be used for various working widths. Two fixed clamping units to connect both profiles, clamping units can not get lost. With height adjustable height stop on both sides, range of adjustment 0-127 mm (0 – 5 inch). Can be taken off quickly if required.

- Intergrated fitting for additional pulling handles TP-HG included in the side parts and HG-ERGO-DUO.
- One level indicator incorporated inside the TP profile.
- The light-weight aluminium hollow profile is extremely sturdy (low weight: only 1.3 kg / 3 lbs per metre).
- Long Lifespan.

Type	Working Width mm (in)	Dead Weight kg (lbs)	Order-Number
TP-60/100	600 – 1,000 (23.62 – 39.37)	3.7 (8.16)	51010006
TP-100/165	1,000 – 1,650 (39.37 – 64.96)	4.6 (10)	51010001
TP-150/260	1,500 – 2,600 (59.06 – 102.36)	6 (13)	51010002
TP-200/350	2,000 – 3,500 (78.74 – 137.80)	7.3 (16)	51010003

Accessories:

HG-ERGO-SOLO: Handle for TELEPLAN and FIXPLAN, which has been further developed according to ergonomic aspects. 1 piece incl. handle holder, enables fatigue-free working in a standing body position.

HG-ERGO-DUO: Handles for TELEPLAN and FIXPLAN, which have been further developed according to ergonomic aspects. Set consisting of 2 pieces, allow fatigue-free working in standing body position, can be attached to the side parts at any time via a plug-in fastener.

TP/FP-RS: Set of Roller Units for TELEPLAN/FIXPLAN (can be added later)

NEW

Type	Dead Weight kg (lbs)	Order-Number
HG-ERGO-SOLO	2.6 (5.73)	41010074
HG-ERGO-DUO	4.3 (9.48)	41010072
TP/FP-RS	1.2 (2.65)	41010080

011227 Technical data contained in this catalogue can be modified without prior notice in the interest of progress. Illustrations are exemplary and non-binding. No liability accepted for any misprints, mistakes and errors.

NEW

FIXPLAN FP Handscreeding System



FP-200 with HG-ERGO-DUO



FP-250 with HG-ERGO-SOLO
bottom right: Roller set TP/FP-RS

Quick and easy planing of small and medium-sized areas – with the new FIXPLAN FP handscreeding system.

The FIXPLAN FP aluminium profile is sickle shaped. As a result the profile cuts itself into the bedding material and does not move upwards! No need for executing any force to push it down when pulling. Especially when screeding compacted sand, also in case of the screed bar cannot be moved sideways sawing off the bedding material due to lateral obstacles or boundaries, the advantages of the FP profile are enormous with regard to effort of energy, working speed and high-quality performance of the laying course.

With height adjustable height stop on both sides, range of adjustment 0-127 mm (0 – 5 inch). Can be taken off quickly if required.

- 4 screeding widths available.
- Integrated fitting for optionally available handles HG-ERGO-DUO included in the side parts.
- With the optionally available handle HG-ERGO-SOLO, the FIXPLAN FP can also be used by just one person.
- The light-weight aluminium hollow profile is extremely sturdy (low weight: only 1.3 kg / 3 lbs per metre).
- Long Lifespan.

Type	Working Width mm (in)	Dead Weight kg (lbs)	Height Adjustable Range mm (in)	Order-Number
FP-70	700 (27.56)	2.5 (5.51)	0 – 127 (0.00 – 5.00)	51010015
FP-150	1,500 (59.06)	3.6 (7.94)	0 – 127 (0.00 – 5.00)	51010016
FP-200	2,000 (78.74)	4.3 (9.48)	0 – 127 (0.00 – 5.00)	51010017
FP-250	2,500 (98.43)	4.95 (11)	0 – 127 (0.00 – 5.00)	51010018

Accessories:

HG-ERGO-SOLO: Handle for TELEPLAN and FIXPLAN, which has been further developed according to ergonomic aspects. 1 piece incl. handle holder, enables fatigue-free working in a standing body position.

HG-ERGO-DUO: Handles for TELEPLAN and FIXPLAN, which have been further developed according to ergonomic aspects. Set consisting of 2 pieces, allow fatigue-free working in standing body position, can be attached to the side parts at any time via a plug-in fastener.

TP/FP-RS: Set of Roller Units for TELEPLAN/FIXPLAN (can be added later)

NEW

Type	Dead Weight kg (lbs)	Order-Number
HG-ERGO-SOLO	2.6 (5.73)	41010074
HG-ERGO-DUO	4.3 (9.48)	41010072
TP/FP-RS	1.2 (2.65)	41010080



MP-70 with attached height adjustment HV-MP

MP-30

MINIPLAN MP Sliding Finisher

This lightweight, handy and smart tool allows effective finishing work on screeded areas. Especially suitable to clean up sreed rail marks.

But also larger areas can be screeded very quickly with the MP-70, for example around gullies with different levels. Depending on the angle, the operator can decide to let the tool: dig in, to move more material or to float to do only final finishing work.

MP-70: Aluminium hollow profile, very lightweight.

Robust, lightweight hardwood handle (MP-70).

Sturdy holder for handle fixed to the profile.

MP-30 with lightweight, short aluminium handle.

■ Low dead weight, as made of aluminium.

Type	Working Width mm (in)	Dead Weight kg (lbs)	Order-Number
MP-30	300 (11.81)	0.8 (1.76)	51010012
MP-70	700 (27.56)	1.7 (3.75)	51010004

Accessories:

Type	Description	Dead Weight kg (lbs)	Height Adjustable Range mm (in)	Order-Number
HV-MP	Height adjustment, no problem to fit to your existing MP-70 later.	0.36 (0.79)	45 – 170 (1.77 – 6.69)	41010039



LH

LEVELHANDY LH

Simple screeding tool to achieve a clean connection to already laid pavers or kerbs.

Simply place the LH on the existing screed level.

Set the height adjustable support via tightening a wing nut to the right height towards the kerb or existing pavement.

The screeded area now can be adjusted easily and precisely using this practical tool.

Type	Working Width mm (in)	Dead Weight kg (lbs)	Height Adjustable Range mm (in)	Order-Number
LH	300 (11.81)	1.8 (3.97)	0 – 250 (0.00 – 9.84)	51000088



LF-125/215. bottom left: Wheel height adjustment



LF-75/125

LEVELFIX LF Manual Screeding System

The universal manual screeding system – move a large amount of material easily in a short time, on large wheels.

The LF system is an efficient tool for landscape contractors who are looking for a tool for spreading and also screeding bedding material for paved areas quickly, flexibly and precisely, while maintaining ergonomically sound posture.

Suitable for gardener for preparation of planting beds, lawn areas and similar. Also suitable for levelling wood chip or gravel paths.

Level surfaces can be created in a very short space of time and the process, which uses plastic wheels with flat rubber tread, which leave hardly any traces in the surface.

- On both sides height adjustable wheels, with height indicator for adjusting the surface level to the kerb for instance. Adjustment range -40 / +170 mm (-1.57 / +6.69 inch).
- Adjustable roof profile integrated as standard: LF-75/125: 7%, LF-125/215: 4%, LF-170/310: 2.5 %.
- Scraper sheets made from non-rusting stainless steel.
- Cutter with sharp edge on the lower scraper edges allows materials to be exoriated even where there is compacted sand.
- Lasting surface protection on all other components thanks to galvanic zinc plating.
- Handle adjustable for optimum ergonomics.
- Spirit level bubble fitted on the top right edge of the scraper sheet.
- Second handle LF-HG for wide working width for 2 people operation for LF-170/310 available as an option.

Scope of delivery:

LF-75/125: 1 pair of stainless steel scraper sheets, 1 x central rolling unit, 1 x handle with holder, 2 x height-adjustable external roller sets.

LF-125/215: See LF-75/125, but 2 x roller units.

LF-170/310: See LF-75/125, but 2 x roller units.

Type	Working Width mm (in)	Dead Weight kg (lbs)	Order-Number
LF-75/125	750 – 1,250 (29.53 – 49.21)	22 (49)	51000084
LF-125/215	1,250 – 2,150 (49.21 – 84.65)	32 (71)	51000085
LF-170/310	1,700 – 3,100 (66.93 – 122.05)	42 (93)	51000086

Accessories:

LF-R: Roller support for LF. Adjustment range levelling height +60 mm to +270 mm. Can be added later.

NEW

Type	Description	Dead Weight kg (lbs)	Order-Number
LF-HG	Complete handle incl. bracket for LF-170/310	3 (6.61)	41000317
LF-R	Roller support for LF	0.7 (1.54)	41000367



AZL

Screeding Rails AZL for Screeding Systems TAK and TAS-UNI

- Special aluminium profile (60 x 60 mm / 2.36 x 2.36 inch), achieving highest strength and low dead weight.
- Simple, strong, integrated plug system by 2 conical bolts, plugs cannot be lost!
- A cubical inclined plane of section gives inlined joints in each direction. Impossible to hook in with the wipers!

AZL-Set-20: For the daily use on both, small and medium sites.
AZL-Set-24: For the daily use on both, small and medium sites.
AZL-Set-60: recommended set for bigger sites and mechanical installation.

Type	Description	Dead Weight kg (lbs)	Length mm (in)	Order-Number
AZL-Set-20	6 x 3 m, 2 x 1 m (6 x 118,11 in, 2 x 39,37 in)	40 (88)	20,000 (787.40)	51000039
AZL-Set-24	6 x 3 m, 2 x 2 m, 2 x 1 m (6 x 118,11 in, 2 x 78,74 in, 2 x 39,37 in)	48 (106)	24,000 (944.88)	51000014
AZL-Set-60	12 x 4 m, 4 x 2 m, 4 x 1 m (12 x 157,48 in, 4 x 78,74 in, 4 x 39,37 in)	120 (265)	60,000 (2,362.21)	51000015
AZL-1	1 piece, 1 m (39,37 in) long	2 (4.41)	1,000 (39.37)	51000017
AZL-2	1 piece, 2 m (78,74 in) long	4 (8.82)	2,000 (78.74)	51000020
AZL-3	1 piece, 3 m (118,11 in) long	6 (13)	3,000 (118.11)	51000016
AZL-4	1 piece, 4 m (157,48 in) long	8 (18)	4,000 (157.48)	51000019



AZL-EP

Screeding Rail Kit AZL-EP for Handscreeding System EASYPLAN EP-UNI

Through integrated plug-in connections it is very easy to join these lightweight screeding rails together. A cubical inclined plane of section gives inlined joints in each direction. Impossible to hook in with the wipers.

- Non-corroding due to use of galvanized steel pipes (Diameter 26,9 mm / 1 in).
- Simple, robust, integrated plug system. Nondetachable!

Scope of delivery:

AZL-EP Set: consisting of: 2 x 1,5 m (59 in), 4 x 2,5 m (98,42 in), 4 x 3 m (118,11 in).

Type	Dead Weight kg (lbs)	Length mm (in)	Order-Number
AZL-EP Set	41 (90)	25,000 (984,25)	51000057



SAH

Paver Lifter SAH

To lift out uncompacted pavers quick and easy, for example when marker pavers in different colour should be laid in.

- Durable surface protection by galvanizing

Type	Description	Dead Weight kg (lbs)	Gripping Range mm (in)	Order-Number
SAH	Paver Lifter	4.9 (11)	90 – 400 (3.54 – 15.74)	51800050



SZ

Paving Block Extractor SZ

An essential tool for any contractor who lays paving blocks or carries out repairs to paved surfaces. Adjustable to fit any size and shape of paver.

With Locking Device!

The operator does not need to continually squeeze the SZ-handles together!

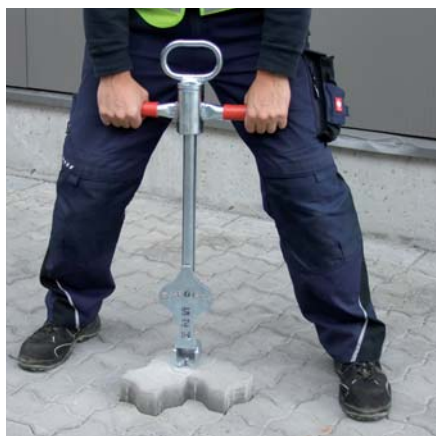
The spring steel blades can be driven into the joints of existing pavements without problems by the combination hammer.

- With Locking Device: The operator does not need to continually squeeze the SZ-handles together!
- The gripping width can be adjusted without tools.
- Easily exchangeable, high quality profiled spring steel blades.
- Durable surface protection by galvanizing.

Type	Description	Dead Weight kg (lbs)	Gripping Range mm (in)	Order-Number
SZ	Paving Block Extractor	4 (8.82)	90 – 330 (3.54 – 12.99)	51800030

Spare Parts:

Type	Description	Dead Weight kg (lbs)	Order-Number
Spare blade short	(55 mm / 2.16 inch) per piece, loose	0.04 (0.088)	41800001
Spare blade short	(55 mm / 2.16 inch) 2 pieces in blister pack	0.08 (0.18)	41800242
Spare blade long	(65 mm / 2.55 inch) per piece, loose	0.04 (0.088)	41800003
Spare blade long	(65 mm / 2.55 inch) 2 pieces in blister pack	0.09 (0.20)	41800243



SZH

Block Extractor Hammer SZH

The SZH SZH block extractor hammer can be used to remove stones that have already been laid without damaging neighbouring stones.

Particularly with very high-quality paving blocks and slabs, it can happen after vibration that individual blocks with minor damage have to be replaced.

If conventional block extractors are used, with blades that grip into the joint, damage to the neighbouring blocks can occur.

a. The defective block is drilled centrally with the battery-powered hammer drill.

The concrete screw is screwed in with the battery screwdriver until the head still protrudes by approx. 10 – 15 mm (0.39 – 0.59 inch).

b. The SZH grips under the screw head.

c. The impact weight is pulled upwards with two hands (see arrow in diagram).

After a few strokes, the defective block can be removed.

■ Durable surface protection by galvanizing.



SZH

Scope of delivery:

SZH: Includes 5 concrete screws with hexagonal head and compressed washer, 6 x 80/SW 13.

Type	Description	Dead Weight kg (lbs)	Order-Number
SZH	Block Extractor Hammer	8 (18)	51800094

Accessories:

Type	Description	Order-Number
Set of concrete screws	6 x 80/SW 13 (100 pieces)	41800239



Alignment Bar RE

For aligning the paving stones before they are permanently set.

- With two handles, a foot bar and a hammering surface to drive it into the paver joints using a hammer.
- With exchangeable, robust, sharp-edged hardened spring steel blade for driving into the hinge joints.
- Durable galvanized surfaces.

RE

Type	Dead Weight kg (lbs)	Order-Number
RE	2.7 (5.95)	51800011

Spare Parts:

Type	Description	Dead Weight kg (lbs)	Order-Number
Spare blade for RE/MRE	(95 mm / 3.74 inch) per piece, loose	0.14 (0.31)	41800002
Spare blade for RE/MRE	(95 mm / 3.74 inch) 1 piece in blister pack	0.16 (0.35)	41800241



Multiple Alignment Bar MRE

The „Turbo Accelerator“ for alignment work: Instead of moving only one row of pavers, the MRE can move 4 or up to 5 rows at the same time.

- Especially suitable for alignment work on mainly rectangular shaped pavers.
- With 4 exchangeable, adjustable, sturdy, sharp edged hardened spring steel blades.
- With 2 handles and one hammering surface to drive it into the paver joints.
- Durable galvanized surfaces.

MRE

Type	Working Width mm (in)	Dead Weight kg (lbs)	Order-Number
MRE	650 (25.59)	6 (13)	51800045

Spare Parts:

Type	Description	Dead Weight kg (lbs)	Order-Number
Spare blade for RE/MRE	(95 mm / 3.74 inch) per piece, loose	0.14 (0.31)	41800002
Spare blade for RE/MRE	(95 mm / 3.74 inch) 1 piece in blister pack	0.16 (0.35)	41800241



GH-ERGO

Rubber Hammer GH-ERGO

Now with extra long handle for ergonomic working.

The GH-ERGO is equipped with two different rubber elements. One side is equipped with a rectangular, slightly bevelled profile. This way the rubber profile hits the stone flat without the user having to stand too close to the edge of the stone layer. On the second side, the profile is tapered, this enables an accurate strike, e.g. into the grooves of H-stones.

- The extension of the hammer handle from the previous 800 mm to 1000 mm (31.49 to 39.37 inch) enables an ergonomically upright posture and thus fatigue-free working.
- By using special butyl rubber elements, wrists and elbows are now also protected. The unpleasant springing back when striking is completely eliminated by the damping without reducing the striking power.
- A further helpful feature is the plastic protective disk. This allows height corrections of individual paving stones or slabs that are too high to be made by tapping them on the face without damaging the stone surfaces.

Type	Dead Weight kg (lbs)	Length mm (in)	Order-Number
GH-ERGO	2.9 (6.39)	1,000 (39.37)	51800113
GH-ERGO-K	2.5 (5.51)	400 (15.74)	51800114

Spare Parts:

Type	Description	Dead Weight kg (lbs)	Order-Number
Rubber cover	for GH-ERGO (2 x bevelled), per piece		36330327
Rubber cover	for GH-ERGO (1 x bevelled), per piece		36330328
Plastic disc	Protective disk for stone (for GH-ERGO)		33250280
Rubber cover	for version GH/GH-K (Order-No. 51800012/51800051), per piece	0.4 (0.88)	41800006



SXH-1,8

Soft-Face Mallet SXH-1,8

NEW

Universally suitable for a wide range of applications in landscaping and trade. The indispensable companion on the construction site.

- Two-part housing made of cast steel.
- High-quality, ergonomically shaped wooden handle.
- Replaceable, low-wear impact inserts: 1 x black medium hard rubber and 1 x red hard plastic head.

Type	Diameter outside mm (in)	Dead Weight kg (lbs)	Length of Handle mm (in)	Order-Number
SXH-1,8	60 (2.36)	1.8 (3.97)	330 (12.99)	51800130

Spare Parts:

Type	Diameter outside mm (in)	Dead Weight kg (lbs)	Order-Number
Replacement head black	60 (2.36)	0.2 (0.44)	41800266
Replacement head red	60 (2.36)	0.22 (0.49)	41800267

NEW



Soft-Face Mallet SXH-3,2

Universally suitable for a wide range of applications in landscaping and trade. The indispensable companion on the construction site.

- Two-part housing made of cast steel.
- High-quality, ergonomically shaped wooden handle.
- Replaceable, low-wear impact inserts: 1 x black medium hard rubber and 1 x white very hard nylon head.

SXH-3,2

Type	Diameter outside mm (in)	Dead Weight kg (lbs)	Length of Handle mm (in)	Order-Number
SXH-3,2	80 (3.15)	3.2 (7.05)	493 (19.41)	51800131

Spare Parts:

Type	Diameter outside mm (in)	Dead Weight kg (lbs)	Order-Number
Replacement head black	80 (3.15)	0.42 (0.93)	41800271
Replacement head white	80 (3.15)	0.40 (0.88)	41800269



Soft-Face Mallet SXH-3,6

NEW

Universally suitable for a wide range of applications in landscaping and trade. The indispensable companion on the construction site.

- Two-part housing made of cast steel.
- High-quality, ergonomically shaped wooden handle.
- Replaceable, low-wear impact inserts: 1 x black medium hard rubber and 1 x white very hard nylon head.
- With extra long handle.

SXH-3,6

Type	Diameter outside mm (in)	Dead Weight kg (lbs)	Length of Handle mm (in)	Order-Number
SXH-3,6	80 (3.15)	3.6 (7.94)	797 (31.38)	51800145

Spare Parts:

Type	Diameter outside mm (in)	Dead Weight kg (lbs)	Order-Number
Replacement head black	80 (3.15)	0.42 (0.93)	41800271
Replacement head white	80 (3.15)	0.40 (0.88)	41800269



Deadblow SXH-1,3 / SXH-2,3

NEW

- Welded steel construction.
- High-quality, ergonomically shaped wooden handle.
- Low-wear impact inserts: 2 x white very hard nylon heads.

SXH-2,3

Type	Diameter outside mm (in)	Dead Weight kg (lbs)	Length of Handle mm (in)	Order-Number
SXH-1,3	60 (2.36)	1.75 (3.86)	305 (12.01)	51800127
SXH-2,3	70 (2.76)	2.3 (5.07)	305 (12.01)	51800128



Bush Hammer STH-0,9

NEW

For surface treatment of stone surfaces.

- Gives the stone a worked appearance.
- Creates a „split face“ after saw cutting.
- Use on retaining wall block or pavers.
- Hardened steel head.

STH-0,9

Type	Dead Weight kg (lbs)	Length of Handle mm (in)	Order-Number
STH-0,9	1.2 (2.65)	330 (12.99)	51800129



Top: PB-I, bottom left: PB-15/24, bottom right: PB-15/24-L

PAVERBOY PB

For the efficient laying of paving blocks directly from the stack. Particularly suitable for large blocks.

- Durable surface protection by galvanizing.

PB-I: Two double-T-stones can be picked up and then laid at the same time.

PB-15/24: Hexagonal slabs and similar blocks which cannot be lifted with one hand, can be laid.

PB-15/24-L: With long handles for effortless installation of various types of stones, such as double-T-bricks or large-size paving stones.

Core benefit: At mechanical installation often times single paving stones have to be laid into the gaps to complete the stone bonds. This succeeds easily with the PB-15/24-L in upright body position without bending down.

Type	Dead Weight kg (lbs)	Gripping Range mm (in)	Working Load Limit/WLL kg (lbs)	Order-Number
PB-I	1.22 (2.69)	100 – 170 (3.94 – 6.69)	10 (22)	51800001
PB-15/24	1.42 (3.13)	150 – 240 (5.91 – 9.45)	10 (22)	51800004
PB-15/24-L	2.3 (5.07)	150 – 240 (5.91 – 9.45)	10 (22)	51800115



RVH

Turf Stone Handles RVH

Used in pairs and designed specially for laying turf stones.

Installs 1 to 5 units at once.

- Durable surface protection by galvanizing.

Type	Description	Dead Weight kg (lbs)	Order-Number
RVH	1 pair	5.32 (12)	51800021



Brick Handles KKT

- For the efficient transportation of bricks from the pallet to the laying surface.
- Adjustable.
- Durable surface protection by galvanizing.

KKT

Type	Dead Weight kg (lbs)	Gripping Range mm (in)	Working Load Limit/WLL kg (lbs)	Order-Number
KKT	2 (4.41)	400 – 670 (15.74 – 26.38)	50 (110)	51800025



Pin Extractor ENZ

Simple but very efficient tool to pull out string line pins used on construction sites.

- The previous time consuming and often injury causing method, to pull out pins just by hand or using pliers, hammer and such are gone now.
- With the ENZ, the pins are not bent when pulled out.
- When lifted up, the V shaped clamping system locks to the pin. Now pulling and turning movements to loosen the pin can be exerted without any real physical effort.
- Durable surface protection by galvanizing.
- Hardened gear segment.

ENZ

Type	Description	Diameter outside mm (in)	Dead Weight kg (lbs)	Order-Number
ENZ	Pin Extractor	10 – 30 (0.39 – 1.18)	0.64 (1.41)	51800038

NEW



ENZ-PROTECT

Pin Extractor ENZ-PROTECT

Simple but very efficient tool to pull out string line pins with electric shock protection cap used on construction sites.

- The previous time consuming and often injury causing method, to pull out pins just by hand or using pliers, hammer and such are gone now.
- Without using the ENZ, pins often get bent.
- When lifted up, the V shaped clamping system locks to the pin. Now pulling and turning movements to loosen the pin can be exerted without any real physical effort.
- Durable surface protection by galvanizing.
- Hardened gear segment.
- Lateral insertion of the ENZ-PROTECT on ground nails with plastic protective cap.
- Plastic handle reduces risk of electric shock in case of accidental damage to underground cables.

Type	Diameter outside mm (in)	Dead Weight kg (lbs)	Order-Number
ENZ-PROTECT	10 – 35 (0.39 – 1.38)	1.0 (2.20)	51800162



RSH

Plumb Line Fixture RSH

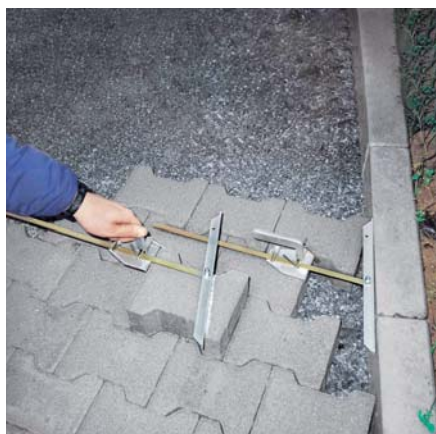
The plumb line fixture RSH allows for precise guidance of the plumb line in vertical and horizontal direction in combination with a pin extractor.

- Enormous time-savings for preparation of straight lines and right angles.
- Accurate alignment of the plumb line providing simple readjustment if required.
- The plumb line can be tightened precisely such as on rocky grounds or with pipe lines as the pin extractor can be moved.
- Durable surface protection by galvanizing.

Scope of delivery:

RSH: 1 clamping joint, 2 wing nuts and 1 cross rod with a length of 500 mm

Type	Diameter outside mm (in)	Dead Weight kg (lbs)	Order-Number
RSH	5 – 20 (0.20 – 0.79)	0.8 (1.76)	51800081



MAL

Measuring and Marking Tool MAL

An essential tool for marking out paving stones and slabs to be cut.

- Easy and quick transfer of angle and distance of the cutting edge.

Type	Dead Weight kg (lbs)	Order-Number
MAL	0.58 (1.28)	51800026



PM

PAVERMARKER PM

The smart marker for horticulture and landscaping, par excellence.

- Marks nearly all concrete products with a constant line thickness, pavers can then be cut to fit perfectly.
- Suitable for dry and wet surfaces, leaves no permanent marks, weathers itself after a short while.
- Unbreakable, crayon is reinforced with embedded glass fibers.
- Wear-resistant, one PM marks thousands of paving stones.

Scope of delivery:

PM: 5 pieces in white in bag.

Type	Dimensions L x W x H mm (in)	Dead Weight kg (lbs)	Order-Number
PM	120 x 30 x 2 (4.72 x 1.18 x 0.08)	0.1 (0.22)	51800069



top: for walls, bottom: for pavers, slabs and kerb stones

STRINGTIGHT SB

The innovative new STRINGTIGHT SB for the horticulture, landscaping, building and construction industry.

Straight and square edges are required when installing paving stones, kerbs, slabs and bricks. Conventional plumb lines often catch against the stone thus not giving an accurate straight line reading. The STRINGTIGHT SB provides a clearance of approx. 5 mm (0.19 inch) between stone and string line – giving great results every time!

- The practical tool for paver laying and masonry work.
- Made of robust steel, powder coated.
- Adjustable distance of the string line laterally and vertically.
- With string line take-up and functional slot to place a level on.

Scope of delivery:

SB: The kit contains 2 metal brackets, 1 roll of Nylon line: thickness 1,4 mm (0.05 inch) with a length of 100 m (3937 inch). Comes in a decorative promotional display rack each with 12 kits.

Type	Description	Dimensions L x W mm (in)	Dead Weight kg (lbs)	Order-Number
SB	STRINGTIGHT promotion display	120 x 120 (4.72 x 4.72)	8.3 (18)	51800072

Accessories:

Type	Description	Order-Number
Spare line	1 roll of Nylon line: thickness 1,4 mm (0.05 inch) with a length of 100 m (3937 inch)	25400012



QD

QUICKDRAW QD

A clever paver-marking tool for concrete and paving stones.

- No problems with the marking of distances of kerbstones, walls, etc. for later stone cutting.
- Time saving with marking works.
- Especially effective with soldier course.
- Tough construction made of aluminium and stainless steel.
- Roller guide for quick and accurate marking.

Scope of delivery:

QD: Set incl. wax crayon and felt crayon.

Type	Dead Weight kg (lbs)	Order-Number
QD	2 (4.41)	51800034



SA

STRING ALONG SA

The brilliantly simple and flexible line holder for all setup work performed with a plumb line.

The STRING ALONG SA is simply slipped over the pin and fixed to the peg at the desired height with the wing screw. Now the line can be looped around the line holder at any time and attaches itself to the teeth in the two grooves of the SA.

If necessary, the cord can be removed at any time without losing the height adjustment.

- Generally the SA can be used for all kind of layouts where string lines are used, especially beneficial if the string line has to be taken away temporarily and repositioned afterwards at the same position.
- Gripping teeth hold the string line safely under tension at any time.
- No more string line knots, or confusing marks on the pins.

Scope of delivery:

SA: Pieces 6 in bag.

Type	Description	Diameter inside mm (in)	Dead Weight kg (lbs)	Order-Number
SA	Suitable for pin diameters max. 25 mm (1 inch)	25 (0.98)	0.24 (0.53)	51800062



AW-200

Aluminium Angle AW-200

For precise alignment of interlocking paving stones.

Adjustable to 45°, 60° and 90°.

Foldable.

Type	Dimensions L x W mm (in)	Dead Weight kg (lbs)	Order-Number
AW-200	2,000 x 2,000 (78.74 x 78.74)	6 (13)	51800018



AW-60

Aluminium Angle AW

For precise alignment of interlocking paving stones.

Operating angles: 45° and 90°.

Foldable.

Type	Dimensions L x W mm (in)	Dead Weight kg (lbs)	Order-Number
AW-60	600 x 800 (23.62 x 31.49)	0.72 (1.59)	51800052
AW-120	1,200 x 1,200 (47.24 x 47.24)	1.7 (3.75)	51800085



FMK

FLEXMARKER-KIT FMK

The FLEXMARKER-KIT FMK is a complete system to shape and mark tailor-made curves. Creating dynamically shaped paths without visual interruptions.

Work mode 1: For paths and bed edges, the so called one-liner, are laid in dry concrete. For that purpose the FLEXMARKER-KIT FMK can be fixed at the pins with the clamps. It doesn't only show the curve, it also shows the vertical profile.

Work mode 2: The interconnecting fiberglass rods can be securely fixed on the existing pavement with the fixing claws. The curve can be marked by spray paint or chalk (e.g. PAVERMARKER PM of Probst). Weighted by paving stones, the claws are immovably fixed.

- Harmonious curves can be prepared quickly and with enormous time savings.
- Smallest bending radius 15 cm (6 inch).

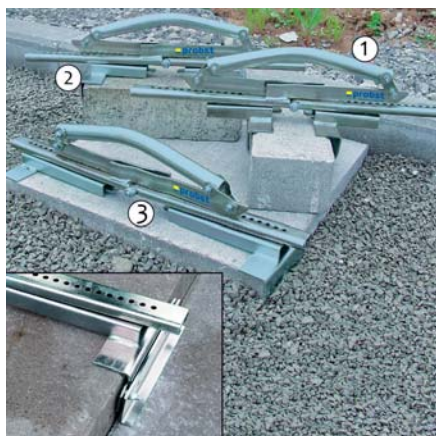
Scope of delivery:

FMK: Set consisting of 10 fiberglass rods, 5 fixing claws and 10 clamps.

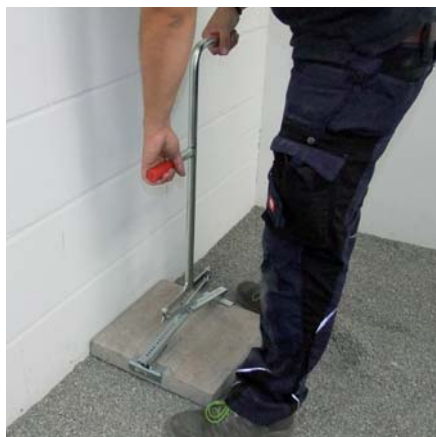


FMK

Type	Dead Weight kg (lbs)	Order-Number
FMK	3.1 (6.83)	51800074



1. PPH-10/37, 2. PPH-22/50, 3. PPH-33/62,
bottom: PPH-AA



PPH-ERGO-HG with PPH-22/50

Professional-Slab Handle PPH

For laying concrete and natural stone slabs.

- Large adjustable range for all slabs.
- With large leverage.
- Very stable professional design.
- Exchangeable grippers.
- Durable surface protection by galvanizing.

PPH-S-10/62: comes as a set with a basic unit and 3 sets of grippers.

PPH-ERGO-HG: Ergonomically long handle for retrofitting to all PPH slab handles, which can thus also be used in a standing position without strain on the back. With automatic change-over function, i.e. PPH can be lifted off again without the plate being lifted again.

PPH-AA: Support adapter for retrofit at any time PPH-AA allows for quick and more accurate fit in. (1 unit required per PPH).

PPH-2-HG: 2-man carrying handle for all PPH models. With one wing nut, the handle can be turned through 90° as required.

Type	Length of Gripper mm (in)	Inside Height mm (in)	Dead Weight kg (lbs)	Gripping Range mm (in)	Working Load Limit/WLL kg (lbs)	Order-Number
PPH-10/37	100 (3.94)	30 (1.18)	1.54 (3.40)	100 – 370 (3.94 – 14.57)	60 (132)	53200053
PPH-22/50	100 (3.94)	30 (1.18)	1.6 (3.53)	220 – 505 (8.66 – 19.88)	60 (132)	53200052
PPH-33/62	100 (3.94)	30 (1.18)	1.6 (3.53)	330 – 620 (12.99 – 24.41)	60 (132)	53200054
PPH-S-10/62	100 (3.94)	30 (1.18)	3 (6.61)	100 – 620 (3.94 – 24.41)	60 (132)	53200055

Accessories:

Type	Dead Weight kg (lbs)	Length mm (in)	Order-Number
PPH-ERGO-HG	1.5 (3.31)	670 (26.38)	43200124
PPH-AA	0.15 (0.33)		43200079
PPH-2-HG	2.42 (5.34)		43200085



Slab Extractor PZ

For extracting single slabs, it has a robust construction so that the blades can be hammered into the joints.

- With Locking Device. The operator does not need to continually squeeze the PZ-handles together!
- Adjustable without tools.
- Complete with easily exchangeable high-quality-special double spring-steel blades.
- Galvanised finish.

PZ

Type	Dead Weight kg (lbs)	Gripping Range mm (in)	Working Load Limit/WLL kg (lbs)	Order-Number
PZ	6 (13)	200 – 610 (7.87 – 24.02)	70 (154)	53200006

Spare Parts:

Type	Description	Dead Weight kg (lbs)	Order-Number
Spare blade short	(55 mm / 2.16 inch) per piece, loose	0.04 (0.088)	41800001
Spare blade short	(55 mm / 2.16 inch) 2 pieces in blister pack	0.08 (0.18)	41800242
Spare blade long	(65 mm / 2.55 inch) per piece, loose	0.04 (0.088)	41800003
Spare blade long	(65 mm / 2.55 inch) 2 pieces in blister pack	0.09 (0.20)	41800243



SAFEFLEX SF

The innovative clamping fixture for cutting stone safely.

The risk of cuts can be reduced considerably with the SAFEFLEX SF. It can secure building materials such as cobblestones and natural flagstones quickly and safely. This makes cutting with the angle grinder easier, safer and more precise.

To secure the building material, the user pushes on the top clamping element with one foot. When the user takes their foot off the non-slip tread, springs push the clamping elements apart again and the building material can be removed.

- Elevation of the material being cut, so cutting wheel does not go into the ground.
- Non-slip mat to prevent stones from sliding sideways.
- Fast and simple adjustment of stone thickness in using 2 lateral locking bars.
- Individually adjustable height of the SAFEFLEX with 4 screws that can be turned in on the bottom.
- Suitable for right and left-handed use.
- Fast fixation without additional tools.
- Saves material since smaller "offcuts" can be safely secured, even with a small supporting surface.
- Easy to transport since the SAFEFLEX is much smaller than a wet cutting bench for example.
- Durable surface protection by galvanizing.

SF



Type	Dead Weight kg (lbs)	Height Adjustable Range mm (in)	Clamping Range mm (in)	Order-Number
SF	7.46 (16)	10 (0.39)	30 – 160 (1.18 – 6.30)	51210001



STS-33



STS-43

STONE SPLITTER STS

The new block cutters from Probst – more splitting force with reduced effort.

Snap blocks without great force: easy! With the perfect combination of lever and eccentric transmission and a triangular knife, huge splitting force with minimal operating force is generated with all mechanical block splitters.

Blocks can therefore be cut cleanly without dust, noise or wastewater.

No particulate emissions occur, which are harmful to health.

STS-33 / STS-43: Spring-mounted supporting table (both halves of the table tiltable) allows clean undercut for precise laying without uneven large gaps.

STS-33-F: With tilted, rigid supporting table, so that the block is cut at a constant angle.

STS-43-H / STS-65-H: Designs also suitable for concrete kerbstones or limestones.

STS-43-H / STS-65 / STS-65-H: Spring-mounted supporting table (one half of the table tiltable, one half rigid) allows clean undercut for precise laying without uneven large gaps.

- High rationalisation effect, as clean snapping of the blocks can often replace time-consuming and expensive cutting with masonry saws.
- Clean cuts with precisely guided, triangular, reversible blade.
- Better view of the cutting line.
- More splitting force with reduced effort.
- Size indicator in centimetre and inches as well as 45-degree angle on both support plates speed up the work enormously.
- Durable surface protection by galvanizing.

Type	Width Cutting Width mm (in)	Dead Weight kg (lbs)	Height Stone/Element mm (in)	Order-Number
STS-33	330 (12.99)	41 (90)	10 – 120 (0.39 – 4.72)	51200075
STS-33-F	330 (12.99)	41 (90)	10 – 120 (0.39 – 4.72)	51200076
STS-43	430 (16.93)	57 (126)	10 – 120 (0.39 – 4.72)	51200077
STS-43-H	430 (16.93)	66 (146)	10 – 300 (0.39 – 11.81)	51200078
STS-65	650 (25.59)	88 (194)	10 – 120 (0.39 – 4.72)	51200079
STS-65-H	650 (25.59)	98 (216)	10 – 400 (0.39 – 15¾)	51200080

NEW



STS-43-EASY



Triangular blade

STONE SPLITTER STS-EASY

The new block cutters STS-EASY from Probst. More splitting force with reduced effort – with only one crank handle.

The required height of the stones can be set easily and quickly using a smoothly-operating handle. Snap blocks without great force: easy! With the perfect combination of lever and eccentric transmission and a triangular knife, huge splitting force with minimal operating force is generated with all mechanical block splitters. Blocks can therefore be cut cleanly without dust, noise or wastewater. No particulate emissions occur, which are harmful to health.

STS-33-EASY / STS-43-EASY: Spring-mounted supporting table (both halves of the table tiltable) allows clean undercut for precise laying without uneven large gaps.

STS-33-F-EASY: With tilted, rigid supporting table, so that the block is cut at a constant angle.

STS-43-H-EASY: Designs also suitable for concrete kerbstones or limestones up to height 300 mm (11.81 inch). Spring-mounted supporting table (one half of the table tiltable, one half rigid) allows clean undercut for precise laying without uneven large gaps.

STS-65-EASY: Spring-mounted supporting table (one half of the table tiltable, one half rigid) allows clean undercut for precise laying without uneven large gaps.

- High rationalisation effect, as clean snapping of the blocks can often replace time-consuming and expensive cutting with masonry saws.
- Clean cuts with precisely guided, triangular, reversible blade.
- Better view of the cutting line.
- Crank on top, connected to spindle via chain and gear drive.
- More splitting force with reduced effort.
- Size indicator in centimetre and inches as well as 45-degree angle on both support plates speed up the work enormously.
- Durable surface protection by galvanizing.

Type	Width Cutting Width mm (in)	Dead Weight kg (lbs)	Height Stone/Element mm (in)	Order-Number
STS-33-EASY	330 (12.99)	48 (106)	10 – 120 (0.39 – 4.72)	51200082
STS-33-F-EASY	330 (12.99)	48 (106)	10 – 120 (0.39 – 4.72)	51200086
STS-43-EASY	430 (16.93)	61 (134)	10 – 120 (0.39 – 4.72)	51200083
STS-43-H-EASY	430 (16.93)	73 (161)	10 – 300 (0.39 – 11.81)	51200085
STS-65-EASY	650 (25.59)	98 (216)	10 – 120 (0.39 – 4.72)	51200084

NEW



STS-43-EH-23

STONE SPLITTER STS-43-EH-23 Electro-hydraulic block splitter

Snap electrohydraulically at the touch of a button – entirely without dust, noise or wastewater. The environmentally friendly alternative to block sawing.

Splitting of stones at the push of a button. Rigidly mounted, split triangular reversible blade made of hardened metal, for e.g. granite stones, max. height difference 4 mm, minimum stone length 180 mm. Due to the inclined support tables a clean undercut is possible, for exact placement without large distances.

- Integrated rechargeable battery.
- High splitting force of 23 tonnes.
- Integrated scale for adjusting the cutting height via crank.
- Large wheels for easy manoeuvring on uneven terrain.
- Folding handle for easy moving by hand.
- Suspension eye for transport with a crane or lifting device.

Type	Width Cutting Width mm (in)	Dead Weight kg (lbs)	Height Stone/Element mm (in)	Force Splitting Force kg(daN)	Order-Number
STS-43-EH-23	430 (16.93)	170 (375)	10 – 220 (0.39 – 8.66)	23,000	51200081

Accessories:

Type	Description	Order-Number
LG-220 V/12V	Battery charging device w/overload protection and charging current limiting. Housing is water and dust-proof	24200152



RSA-25

Radial Cut Adapter RSA

The RSA converts each standard block cutter into a radial cutter within seconds.

- Now concrete pavers can also be cut with a radius. So connections around manhole covers can be done precisely, quickly and professionally with-out breaking the optics.
- Suitable for outside diameter of manhole covers of approx. 700 – 800 mm (27.55 – 31.49 inch).
- Easy handling, RSA has only to be positioned between the two plates of the cutter. The RSA does not have to be rigidly fixed in this position.
- Durable surface protection by galvanizing.

Type	Width Cutting Width mm (in)	Width mm (in)	Dead Weight kg (lbs)	Height Stone/Element mm (in)	Order-Number
RSA-25	250 (9.84)	355 (13.98)	4.36 (9.61)	50 – 100 (1.97 – 3.94)	41200016

Vacuum Technology

Benefits:

Compared to mechanical grabs, vacuum technology provides substantial and numerous benefits in handling and installation of building materials.

1. Installation without joints.
2. No edge cracks and chipping.
3. Higher laying quality; easy removal and readjustment, such as a slab was placed too deep into the laying course.

Porosity:

Fail-safe function of the vacuum devices is decisively influenced and determined by the porosity of the elements. It is easy to imagine: if the incoming air from micro pores exceeds the capacity a vacuum pump or blower is able to exhaust, proper negative pressure between suction plate and construction material cannot be built up.

These kind of products are not suitable to be lifted with vacuum devices. Unlike the surface characteristics and finish, porosity is not apparent or visible to the observer.



Appropriate Device	Vacuum Hand Laying Systems							Vacuum Lifting Devices				Vacuum Hose Lifters			
	VH	FXAH	VPH	VPE	MJ	AIR-LIFT-ALX	SPEEDY VS *	SM	SH	QUICK-JET QJ	POWER JET PJ	MULTIMOBIL MM mit VGE	JUMBO-MOBIL JM	JUMBO-BV VARIO	TRANS-MOBIL TM
Vacuum Generation via Vacuum Pump	●	●	●	●	●			●	●						
Vacuum Generation via Vacuum Blower						●	●			●	●	●	●	●	●
Specification Material/Product:															
Very dense/not porous: - granite - marble - „WET CAST“ (molded wet concrete)															
Dense/up to slightly porous: - miscellaneous natural stones - specific sandstones - limestone - single layer concrete stones, highly compressed, manufactured with a high content of water/cement															
Moderate porous: - smaller concrete slabs w/facing produced on block making machines															
Highly porous: - larger concrete slabs w/facing produced on block making machines - aerated concrete blocks - exposed aggregate surfacesaking machines															

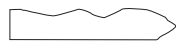
* Vacuum hand laying device can also be used on attachments via lifting eye.


 Marginal conditions, test set-up might be necessary prior to final decision making.

Surface:


What really matters in practical application is not that much the surface finish but rather the porosity of the material.

1. Plane and smooth surfaces are optimal. 
2. Slight, not sharp-edged unevenness up to 5 mm is usually not a problem. 

3. Products with severe, not sharp-edged unevenness of approx. 8 to 10 mm (0.31 to 0.39 in) can be handled with specific vacuum devices and corresponding sealing systems. 

4. Products with deep unevenness, such as exposed aggregate surfaces are easy to handle with vacuum 

devices operated by a vacuum blower. 

5. Sharp-edged products, with uneven and graded top up to approx. 3 mm (0.11 in) are, if at all, solely be handled with vacuum devices equipped with a vacuum blower. 

6. Other surface characteristics on request. 

In case of different load capacity specifications (lifting hose, suction plate, vacuum generator), the value of the vacuum component with the lowest load capacity always applies.



VACUUM-HANDY VH-1/25

max. 50 kg/110 lbs

One-man operation for lightweight slabs and short transportation distance

To install non porous slabs. The vacuum suction force is produced by only pressing the device down onto the surface of the slab. Afterwards the slab can be lifted by hand. To release the slab, just a finger tip is necessary to open a simple valve.

Attention: Can only be used on non porous materials nearby the ground level.

- Accurate and quick installation with no gap in-between slabs. Ergonomically good working position for installation.
- Also previously layed slabs can be picked up again.
- Robust seal ring, can be exchanged within seconds without glueing.
- By purchasing of an additional two-man handle VH-2-HG the VH-1/25 can be used for two-men operation.
- The working load limit is then 50 kg (110 lbs).
- Durable surface protection by galvanizing.

VH-1/25



VH-1/25 with VH-2-HG

Type	Diameter outside mm (in)	Dead Weight kg (lbs)	Working Load Limit/WLL kg (lbs)	Order-Number
VH-1/25	280 (11.02)	5 (11)	25 / 50 (55 / 110)	52600009

Accessories:

Type	Description	Dead Weight kg (lbs)	Order-Number
VH-2-HG	Two-man handle for VH-1/25	3 (6.61)	42600155

Spare Parts:

Type	Dead Weight kg (lbs)	Order-Number
Replacement seal	0.28 (0.62)	42730008

NEW

max. 120 kg/265 lbs



FXAH-120-GRABO-GREENLINE



FXAH-120-GRABO-GREENLINE with FXAH-120-SOLO-Set



FXAH-120-GRABO-GREENLINE with FXAH-120-DUO-Set, bottom right: additionally with wheel set VPH-RS

FLIEGUAN-BATTERY-HANDY FXAH-120-GRABO-GREENLINE

Designed for landscape contractors and tilers, for quick and ergonomic lifting, moving and laying of absorbent concrete slabs, natural stones, tiles and other absorbent building materials.

BATTERY-HANDY is placed on a slab or tile, switched on, and then sucks onto the surface without any downward pressure. The vacuum is released again by pressing another switch.

- Considerably easier laying, as there is no need to grip on the side, especially for the last slab.
- Less risk of edge damage, as laying is more precise and with a better view.
- Light and handy.
- Fast suction due to high air volume flow.
- Ergonomic arrangement of the operating switches.
- Powered by a rechargeable 14.8 V lithium-ion battery (exchangeable battery concept).
- Battery life: approx. 1.5 to 2 h in continuous operation, in normal operation up to one day.
- Increased safety through battery status LED.

Scope of delivery:

FXAH-120-GRABO-GREENLINE: Vacuum hand laying device, Charger (multi-range voltage 110 V to 240 V, with interchangeable plug EU, US, UK, CN).
1 x lithium-ion battery, spare rubber seal and replacement filter. Supplied in lightweight soft case.

FXAH-120-GRABO-PRO-LIFTER-GREENLINE: Vacuum hand laying device, Charger (multi-range voltage 110 V to 240 V, with interchangeable plug EU, US, UK, CN).
1 x lithium-ion battery, carrying strap, spare rubber seal and replacement filter.
Supplied in a high-quality, waterproof plastic case.

VPH-RS: Lay slabs even more easily and conveniently on large wheels – quickly and efficiently. Easy attachment to VPH, FXAH-120-SOLO-Set and FXAH-120-DUO-Set.

FXAH-120-GRABO-PRO-LIFTER-GREENLINE: With integrated pressure switch. As soon as the required pressure is reached, the pump switches off. When the vacuum drops, the pump switches on again. With digital manometer for displaying negative pressure or load capacity.

FXAH-120-SOLO-Set: Hand carrying handle with adapter for one person. For ergonomic moving and laying of building materials. Release operation via foot pedal.

FXAH-120-DUO-Set: Hand carrying handle with adapter for two persons. For ergonomic moving and laying of building materials. Release operation via foot pedal.



Type	Dimensions L x W mm (in)	Battery Capacity Ah	Type of Drive electric/ Battery kW	Dead Weight kg (lbs)	Working Load Limit/ WLL kg (lbs)	Order-Number
FXAH-120-GRABO-GREENLINE	300 x 180 (11.81 x 7.09)	2.2	0.0016	1.5 (3.31)	120 (265)	58500016
FXAH-120-GRABO-PRO-LIFTER-GREENLINE	300 x 180 (11.81 x 7.09)	2.2	0.0016	1.6 (3.53)	120 (265)	58500014

Accessories:

Type	Description	Dead Weight kg (lbs)	Working Load Limit/WLL kg (lbs)	Order-Number
FXAH-120-SOLO-Set	Hand carry handle with adapter for one person (also suitable for NEMO GRABO)	4.4 (9.70)	120 (265)	48500055
FXAH-120-DUO-Set	Hand carry handle with adapter for two persons (also suitable for NEMO GRABO)	10.1 (22)	120 (265)	48500054
ALX-120-HG	Additional handle for the ALX-120-SOLO-Set and FXAH-120-SOLO-Set carry handles	0.4 (0.88)	120 (265)	42600206
VPH-RS	Wheel Set	7.6 (17)	150 (331)	42710072

Spare Parts:

5

Type	Description	Battery Capacity Ah	Working Voltage V	Electric Voltage / AC (50 Hz) V	Dead Weight kg (lbs)	Working Load Limit/WLL kg (lbs)	Order-Number
FXAH-120-SOLO	Hand carry handle without adapter for one person				1.6 (3.53)	120 (265)	48500045
FXAH-120-DUO	Hand carry handle without adapter for two persons				7.3 (16)	120 (265)	48500044
FXAH-120-Adapter	Adapter for connecting FXAH-120 with carry handle				2.6 (5.73)	120 (265)	48500047
FXAH-120-Battery-14,8V/2,2Ah	Battery for FXAH-120	2.6	12				24200144
FXAH-120-LG-110-240V/14,8V	Battery charger for FXAH-120 (with interchangeable plug EU, US, UK, CN)			110 – 240	0.1 (0.22)		24200159
FXAH-120-ED	Replacement seal for FXAH-120						48500037
FXAH-120-Filter	for FXAH-120 (2 pieces)						48500038
FXAH-120 retrofit pedal	Retrofit pedal for mounting on FXAH-120-SOLO/DUO set (order no. 48500043/48500039) when used with the GRABO-PRO-LIFTER-GREENLINE				0.36 (0.79)		33508117

011222 Technical data contained in this catalogue can be modified without prior notice in the interest of progress. Illustrations are exemplary and non-binding. No liability accepted for any misprints, mistakes and errors.

max. 150 kg/330 lbs

VACUUM-POWER-HANDY VPH-150-GREENLINE

Flexible and powerful hand operated laying device for dense products, such as granite or high quality concrete elements.

Special seal, consisting of 2 components for optimised sealing. Even when the suction plate is sitting on sharp edges for a long time, no permanent marks are left in the seal. Therefore no "foldable rests" are necessary to save guard the seal. Wheel Set VPH-RS can be retrofitted to any VPH device at any time. Thus dense slabs can be installed by just one person.

- Powered by rechargeable battery 12 V. Special energy saving automatic allows a full day of laying operation without the need of recharging. Battery charger not included.
- Handle for 2 men operation, handles are height and width adjustable to accommodate with different laying tasks.
- Vacuum pump unit with manometer and battery charging indicator.
- The seal can be exchanged without glue and any tool within 1 minute.
- Fitted as standard with chain compartment and load securing chain as well as lifting eye for hoist operation.
- Durable surface protection by galvanizing.

Scope of delivery:

VPH-150-GREENLINE: Including suction plate with 150 kg (330 lbs) load capacity.



VPH-150-GREENLINE



VPH-RS



Type	Dimensions oval, L x B mm (in)	Battery Capacity Ah	Type of Drive electric/Battery kW	Working Voltage V	Dead Weight kg (lbs)	Working Load Limit/ WLL -500 mbar kg (lbs)	Order-Number
VPH-150- GREENLINE	440 x 250 (17.32 x 9.84)	6.5	0.02	12	16.5 (36)	150 (331)	52710008

Accessories:

VPH-RS: Lay slabs even more easily and conveniently on large wheels – quickly and efficiently. Easy attachment to VPH or FXAH-120-DUO-Set.
VPH-RS-AS: Height-adjustable stop with which the tile can be placed tilted forward at different angles.

Type	Description	Dimen- sions L x W mm (in)	Dimen- sions oval, L x B mm (in)	Battery Capacity Ah	Working Voltage V	Electric Voltage / AC (50 Hz) V	Dead Weight kg (lbs)	Working Load Limit/WLL kg (lbs)	Working Load Limit/WLL -500 mbar kg (lbs)	Order-Number
VPH-RS	Wheel Set						7.6 (17)	150 (331)		42710072
VPH-RS-AS	Support for wheel set VPH-RS						1 (2.20)			42710154
VPH-SPS-HP- 100-26/21	Suction Plate	260 x 210 (10.24 x 8.27)					3 (6.61)	100 (220)		42700109
VPH-SPS-HP- 150-44/25	Suction Plate		440 x 250 (17.32 x 9.84)				6 (13)	150 (331)		42700050
Battery-12V/6,5 Ah	Spare storage battery for VPH			6.5	12		2.3 (5.07)			24200007
VPH-LG-220V/ 12V	Battery charger for VPH					230	0.2 (0.44)			24200004

Spare Parts:

Type	Description	Dead Weight kg (lbs)	Order-Number
ED-SPS-HP-100	Replacement seal for VPH-SPS-HP-100-26/21	0.3 (0.66)	42730004
ED-SPS-HP-150	Replacement seal for VPH-SPS-HP-150-44/25	0.36 (0.79)	42730012



ALX-120

AIRLIFT ALX-120 Vacuum Hand Laying Device

max. 120 kg/265 lbs

Light, ergonomic, strong. The mobile vacuum lifter for porous concrete slabs, natural stones or tiles.

Lay slabs quickly and precisely with the flexible AIRLIFT ALX-120.

- Lightweight only 6 kg, the backpack vacuum blower increases flexibility during installation work.
- For porous concrete slabs and natural stones, as well as for tiles.
- Grab slabs from the top: this protects the edges and allows precise laying.
- Maximum load capacity 120 kg (265 lbs).
- Can be used on any 230V socket.
- ALX-120-DUO-Set and ALX-120-SOLO-Set can also be used with additional adapter on FXAH-120.



ALX-120 with ALX-120-DUO-Set

ALX-120-DUO-Set: With the carrying handle ALX-120-DUO-Set you work in an upright position with two people.



ALX-120 with ALX-120-HG

Type	Description	Dimensions L x W mm (in)	Electric Voltage /AC (50 Hz) V	Dead Weight kg (lbs)	Working Load Limit/ WLL kg (lbs)	Order-Number
ALX-120	Vacuum hand laying device consisting of backpack vacuum blower, ALX-120-Solo-Set hand carrying handle and suction plate ALX-ESP-50 (working load limit 50 kg/110 lbs). 110 V on request	255 x 255 (10.04 x 10.04)	230	13 (29)	120 (265)	52600018

011722 Technical data contained in this catalogue can be modified without prior notice in the interest of progress. Illustrations are exemplary and non-binding. No liability accepted for any misprints, mistakes and errors.

Accessories:

Type	Description	Dimensions L x W mm (in)	Dead Weight kg (lbs)	Working Load Limit/WLL kg (lbs)	Order-Number
ALX-120-DUO-Set	Carrying handle for two persons		8.5 (19)	120 (265)	42600209
ALX-120-HG	Additional handle for the ALX-120-SOLO-Set and FXAH-120-SOLO-Set carry handles		0.4 (0.88)	120 (265)	42600206
ALX-120-H	Mounting bracket for backpack Vacuum blower on ALX-120-DUO set		0.3 (0.66)		42600207
ALX-ESP-12-80/280	Suction plate	80 x 280 (3.15 x 11.02)	1.3 (2.87)	12 (26)	42600194
ALX-ESP-18-165/165	Suction plate	165 x 165 (6½ x 6½)	1.5 (3.31)	18 (40)	42600193
ALX-ESP-25-102/380	Suction plate	102 x 380 (4.02 x 14.96)	2 (4.41)	25 (55)	42600195
ALX-ESP-35-153/318	Suction plate	153 x 318 (6.02 x 12.52)	2.2 (4.85)	35 (77)	42600196
ALX-ESP-50-255/255	Suction plate	255 x 255 (10.04 x 10.04)	2.5 (5.51)	50 (110)	42600191
ALX-ESP-120-58/27	Suction plate	580 x 270 (22.83 x 10.63)	5.8 (13)	120 (265)	42600210

Spare Parts:

Type	Description	Dead Weight kg (lbs)	Working Load Limit/WLL kg (lbs)	Order-Number
ALX-120-SOLO-Set	Carrying handle for one person	3 (6.61)	120 (265)	42600208

max. 200 kg/440 lbs



VS-140/200



VS-140/200



VS-140/200-XL

SPEEDY VS Vacuum Hand Laying Device

The powerful single phase powered vacuum turbine also allows the quick and safe handling of very porous material as well as material with exposed aggregate surface. With an integrated suction plate for up to 50 kg (110 lbs) and quick change function. With this new hand laying tool all kinds of slabs can be laid quickly and above all, ergonomically.

Using the quick-change function, all new standard suction plates can be attached in seconds without tools.

Plug type F, 230 V.

- Can, when combined with the corresponding suction plate and lifting eye VS-EH safely lift and lay elements weighing up to 200 kg (441 lbs).
- Existing VS-SPS suction plates can be used via the optionally available VS-GH-SPS retrofit kit.
- Handles can be rotated 90° by repositioning 2 bolts. This can be of an advantage when switching from crosswise to lengthwise laying of slabs or when the slabs are laid touching a wall.
- Now with unlockable actuating lever for vacuum release. This double safety device secures the paving material against accidental release.
- The working load limit with handles is 140 kg (309 lbs).
- Quick positive suction action (0.5 sec).
- Handles individually height adjustable. Important for users of different heights and for laying steps.
- Two short handles (in lower position) make easier the taking-off from high stacks of slabs.
- The handles can be folded down for easy transportation.
- Light weight design.
- Durable surface protection by galvanizing.

VS-140/200-XL:

- With long handles for safe installation of slabs.
- With lifting eye and safety chain for risk-free lifting and handling.

5

Type	Description	Dimensions L x W mm (in)	Type of Drive electric/AC (50 Hz) kW	Type of Drive electric/AC (60 Hz) kW	Electric Voltage /AC (50 Hz) V	Electric Voltage /AC (60 Hz) V	Dead Weight kg (lbs)	Working Load Limit/ WLL -200 mbar kg (lbs)	Order-Number
VS-140/200	incl. suction plate 50 kg (110 lbs)	300 x 250 (11.81 x 9.84)	1.5		230		24 (53)	200 (441)	52700015
VS-140/200-XL	incl. suction plate 50 kg (110 lbs) with long handle and lifting eye	300 x 250 (11.81 x 9.84)	1.5		230		30 (66)	200 (441)	52700016
VS-140/200-110	incl. suction plate 50 kg (110 lbs)	300 x 250 (11.81 x 9.84)		1.5		110	24 (53)	200 (441)	52700019
VS-140/200-XL-110	incl. suction plate 50 kg (110 lbs) with long handle and lifting eye	300 x 250 (11.81 x 9.84)		1.5		110	30 (66)	200 (441)	52700020

Accessories:

Type	Description	Dead Weight kg (lbs)	Working Load Limit/WLL kg (lbs)	Order-Number
VS-EH	Lifting eye with safety chain for VS-140 and VS-140/200	3.54 (7.80)	200 (441)	42710143
VS-140-XL-HG	Pair of long handles for VS-140/200 for slabs up to 1,2 m width	9 (20)	140 (309)	42710089



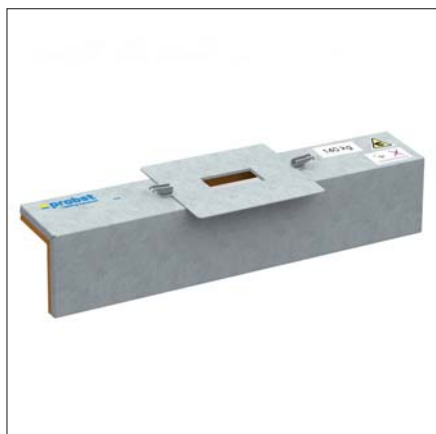
SPEEDY POWER-RACK VS-PR

Holder for practical storing of the EU 22i Honda generator when operating the SPEEDY on lifting equipment (e.g. a digger).

- VS-PR is simply hung on the carrying device with adjusted generator (not included in the scope of delivery).
- The VS-EH (not included in the scope of delivery) lifting eye of the SPEEDY is then hung on the eye hook of the VS-PR.
- In the case of a carrying device with a large lifting height, the eye hook may be connected to the VS-EH lifting eye with the 2 m long loop supplied. Thus, first the SPEEDY then the VS-PR can be switched off.
- Incl. 3 m/118 inch (extension cable + Velcro strap.
- Durable surface protection by galvanizing.

VS-PR

Type	Dead Weight kg (lbs)	Working Load Limit/WLL kg (lbs)	Order-Number
VS-PR	10 (22)	200 (441)	42710166



Suction Plates VS-SPS for SPEEDY VS-140/200

■ Depending on type: aluminium version or galvanised with durable surface protection.

VS-GH-WSP-150-90/12-15,5-101°

Type	Description	Dimensions oval, L x B mm (in)	Dimensions L x W x H mm (in)	Dead Weight kg (lbs)	Working Load Limit/ WLL -200 mbar kg (lbs)	Angle ° Degree	Order-Number
VS-GH-SPS-80-40/30	Suction Plate	400 x 300 (15.74 x 11.81)		2 (4.41)	80 (176)		42710129
VS-GH-SPS-100-50/30	Suction Plate	500 x 300 (19.69 x 11.81)		2.5 (5.51)	100 (220)		42710130
VS-GH-SPS-140-70/30	Suction Plate	700 x 300 (27.56 x 11.81)		3 (6.61)	140 (309)		42710131
VS-GH-SPS-200-85/34	Suction Plate	850 x 340 (33.46 x 13.39)		11.5 (25)	200 (441)		42710132
VS-GH-WSP-85-90/8-12-90°	Angeled Suction Plate		900 x 80 x 120 (35.43 x 3.15 x 4.72)	8 (18)	85 (187)	90	42720345
VS-GH-WSP-150-90/12-15,5-101°	Angeled Suction Plate		900 x 120 x 155 (35.43 x 4.72 x 6.10)	6.5 (14)	150 (331)	101	42720347
VS-GH-WSP-150-70/15,5-17-90°	Angeled Suction Plate		700 x 155 x 170 (27.56 x 6.10 x 6.69)	7 (15)	150 (331)	90	42720360

Accessories:

Type	Description	Dead Weight kg (lbs)	Order-Number
Lamellar plugs	1 item, for plugging drilled holes in the suction plates		21070141
VS-GH-SPS	Retro fit kit counter holder for existing suction plate consisting of: 2 x counter holder + screws, nuts	0.1 (0.22)	42710127
VS-AP	Adapter plate for special SPEEDY suction plates	4 (8.82)	42710163

Spare Parts:

VS-ED-SPS: High wear-resistant replacement seal: Easy to attach without gluing. Incl. holding fixture.

Type	Description	Dead Weight kg (lbs)	Order-Number
VS-ED-SPS-50	Replacement seal for VS-GH-SPS-50	0.52 (1.15)	42710032
VS-ED-SPS-80	Replacement seal for VS-GH-SPS-80	0.66 (1.46)	42710029
VS-ED-SPS-100	Replacement seal for VS-GH-SPS-100	0.79 (1.74)	42710031
VS-ED-SPS-140	Replacement seal for VS-GH-SPS-140	0.92 (2.03)	42710030
VS-ED-SPS-200	Replacement seal for VS-GH-SPS-200	1.02 (2.25)	42710140
VS-ED	Rubber Seal self-adhesive, for integrated suction plate of the basic unit	0.24 (0.53)	42710165

UNIMOBIL UM Laying Dolly

5



UM-VS-S/SE – complete version

The UNIMOBIL UM is an installation dolly that can easily handle concrete and natural stone units up to 150 kg (330 lbs).

- Efficiency is noticeably increased, as it only requires one person to carry out the installation work.
- Special feature: The boom is lifted through a gas spring with integrated brake and is controlled by a lever on the operating handle. This way stone can be picked up from a pallet of approximately 900 mm (35.43 inch) height. By pressing the lever again the load is lowered gently into place. Pressing the lever once more lifts the boom up to pick up the next unit.

Basic version, standard equipment:

- Big rubber wheels with a diameter of 400 mm (15.74 inch), makes manoeuvring the UM easy.
- Track width of rubber wheels adjustable (outer dimension 610 to 905 mm / 24 to 35.62 inch).
- Supported by a steering roller with a locking brake.
- Boom and handles are telescopic to adjust well to different weights and measures of the slabs.
- Gas spring with integrated brake with a control handle.



UM-SM – complete version

UNIMOBIL UM-SM Laying Dolly – Complete Version

max. 150 kg/330 lbs

Equipped with battery driven STONEMAGNET SM-600-GREENLINE. The UNIMOBIL UM-SM is the perfect vacuum laying system for slightly porous slabs and stone.

Suction plate not included in scope of delivery.

If you are already using a SM please ask us for a quotation to upgrade it to a UM-SM.

Complete version consisting of: UM-SM + SM-600-GREENLINE or SM-600-GREENLINE-POWER.

- The most gentle and the closest positioning of slabs as possible. Re-pick up possible. Also suitable for slightly porous stones.
- It is equipped with handles on the suction plate and a 90° turnable suspension for the perfect positioning of the slabs.
- With handles for precise guidance of the suction plate for positioning the material to be placed.
- Durable surface protection by galvanizing.
- Quick adjustment of the arm in 5 different positions.

Type	Description	Working Voltage V	Dead Weight kg (lbs)	Working Load Limit/ WLL kg (lbs)	Order-Number
UM-SM	Basic version for installing the STONEMAGNET SM		42 (93)	150 (331)	42740011
SM-600-GREENLINE	Basic device, without suction plate	12	34 (75)	600 (1,323)	52720006
SM-600-GREENLINE-POWER	Basic device, with stronger pump	12	35 (77)	600 (1,323)	52720007

Accessories:

Type	Description	Dimensions L x W mm (in)	Battery Capacity Ah	Working Voltage V	Dead Weight kg (lbs)	Working Load Limit/WLL -500 mbar kg (lbs)	Order-Number
Battery 12V/26Ah	Spare storage		26	12	9.1 (20)		24200008
SM-SPS-90-30/20	Suction plate	300 x 200 (11.81 x 7.87)			5 (11)	90 (198)	42720009
LG-220 V/12V	Battery charging device w/overload protection and charging current limiting. Housing is water and dust-proof						24200152





UNIMOBIL UM-VS

max. 150 kg/330 lbs

Laying Dolly – Complete Version

Basic version (without suction plate) equipped with SPEEDY VS-140/200 electrical operation 230 V or 110 V.

The UNIMOBIL UM-VS-140 is the perfect vacuum laying system for porous slabs and stone.

If you are already using a Speedy VS-140/200 please ask us for a quotation to upgrade it to a UM-VS! Available with integrated generator, unlimited operating range, more flexible!

Complete version consisting of: UM-VS-140/200 + SPEEDY VS-140/200 (230V) + SE-H Honda generator and pendular suspension for generator (see accessories).

- Advantage: Gentle and close positioning of slabs possible. Re-pick up possible. Also suitable for very porous stones.
- It is equipped with a 90° turnable suspension for the perfect positioning of the slabs.
- Including additional handle on the suction plate for better positioning of the laying material.
- Releasing of the suction force very simple by pulling a lever.
- Quick adjustment of the arm in 5 different positions.
- Durable surface protection by galvanizing.

UM-VS-S/SE - complete version

5

Type	Description	Dimensions L x W mm (in)	Type of Drive electric/ AC (60 Hz) kW	Type of Drive electric/ AC (50 Hz) kW	Electric Voltage / AC (60 Hz) V	Electric Voltage / AC (50 Hz) V	Dead Weight kg (lbs)	Working Load Limit/WLL kg (lbs)	Working Load Limit/WLL -200 mbar kg (lbs)	Order-Number
UM-VS-140/200	Basic version for installing the SPEEDY VS-140/200						45 (99)	150 (331)		42740017
VS-140/200	incl. suction plate 50 kg (110 lbs)	300 x 250 (11.81 x 9.84)		1.5		230	24 (53)		200 (441)	52700015
VS-140/200-110	incl. suction plate 50 kg (110 lbs)	300 x 250 (11.81 x 9.84)		1.5	110		24 (53)		200 (441)	52700019

Accessories:

Type	Description	Dimensions L x W mm (in)	Dimensions oval, L x B mm (in)	Type of Drive Petrol Engine kW	Electric Voltage /AC (50 Hz) V	Dead Weight kg (lbs)	Working Load Limit/WLL -200 mbar kg (lbs)	Order-Number
SE-H Generator Honda EU 22 i	230 V 50 Hz petrol engine			2.25	230	22.5 (50)		52500243
Swinging Suspension UM	for Honda generator					1.1 (2.43)		42720238
VS-SPS-50-30/ 25	Suction Plate	300 x 250 (11.81 x 9.84)				1.44 (3.17)	50 (110)	42710013
VS-GH-SPS-80- 40/30	Suction Plate		400 x 300 (15.74 x 11.81)			2 (4.41)	80 (176)	42710129
VS-GH-SPS-100- 50/30	Suction Plate		500 x 300 (19.69 x 11.81)			2.5 (5.51)	100 (220)	42710130
VS-GH-SPS-140- 70/30	Suction Plate		700 x 300 (27.56 x 11.81)			3 (6.61)	140 (309)	42710131



SM-600-GREENLINE



SM-600-GREENLINE-POWER



SM-600-GREENLINE-POWER

STONEMAGNET SM-600- GREENLINE Vacuum Lifting Device

max. 600 kg/1,320 lbs

Handy, powerful and cordless vacuum lifting device for laying of dense stone slabs, concrete elements, pipes and similar. Can be used with all kinds of lifting equipment.

Specially designed and equipped for heavy duty work on the construction site.

For special purposes, there are different suction plates available, which can be attached to the SM easily.

Can be used with any hoist.

Special features:

The SM-600 is equipped with 2 vacuum pumps as standard. When handling dense products, only one pump is used. On slightly porous material, or when quick cycle time is required, the second pump can be switched on by the switch.

- Robust and compact main body, with integrated suspension for crane hook and quick change device for the suction plate.
- With integral chain-box and load-securing chain.
- Powered by rechargeable, exchangeable 12 V battery. Power saving control system makes battery lasting for one whole working day.
- Battery can be exchanged within seconds. Battery charge indicator. Battery charger not included.
- Integral charger socket for charging.
- Durable surface protection by galvanizing.

Scope of delivery:

SM-600-GREENLINE: Security features: Flashing light to warn of insufficient vacuum, automatic control system to start the vacuum pump after loss of pressure, manometer, high volume vacuum storage tank.

SM-600-GREENLINE-POWER: Additional features: Twice the pumping capacity compared with the SM-600, providing greater reserves for slightly porous materials. Built-in operating hours counter. Suction and release operation via comfortable button-activation.

Optional retro-fitting of remote control for suction and release operations, enabling single-operator activation from the carrying device.

SM-600-GREENLINE-POWER-FFS: As SM-600-GREENLINE-POWER, but with additional remote control SM-FFS (included in delivery) for suction and release.



Type	Description	Working Voltage V	Dead Weight kg (lbs)	Working Load Limit/WLL kg (lbs)	Order-Number
SM-600-GREENLINE	Basic device, without suction plate	12	34 (75)	600 (1,323)	52720006
SM-600-GREENLINE-POWER	Basic device, with stronger pump	12	35 (77)	600 (1,323)	52720007
SM-600-GREENLINE-POWER-FFS	Basic device, with stronger pump and remote control	12	35 (77)	600 (1,323)	52720008

Accessories:

Type	Description	Battery Capacity Ah	Working Voltage V	Dead Weight kg (lbs)	Order-Number
Battery 12V/26Ah	Spare storage	26	12	9.1 (20)	24200008
LG-220 V/12V	Battery charging device w/overload protection and charging current limiting. Housing is water and dust-proof				24200152
SM-BB	Operating handle also for retrofitting			1.6 (3.53)	42720063
SM-FFS	Remote Control for gripping and releasing for SM-600-GREENLINE-POWER. (Retro-fitting available only in the Probst works)			0.43 (0.95)	42720346

5



Suction Plates SM-SPS for STONEMAGNET

Other suction plates on request.

- Durable surface protection by galvanizing

SM-SPS-200-58/28

Type	Description	Dimensions L x W mm (in)	Dead Weight kg (lbs)	Working Load Limit/WLL -500 mbar kg (lbs)	Order-Number
SM-SPS-90-30/20	Suction plate	300 x 200 (11.81 x 7.87)	5 (11)	90 (198)	42720009
SM-SPS-200-58/28	Suction plate	580 x 280 (22.83 x 11.02)	8.2 (18)	200 (441)	42720001
SM-SPS-400-75/27	Suction plate	750 x 270 (29.53 x 10.63)	10 (22)	400 (882)	42720002
SM-SPS-600-95/34	Suction plate	950 x 340 (37.40 x 13.39)	15 (33)	600 (1,323)	42720349
SM-SPS-HP-100-90/9	Suction plate	900 x 90 (35.43 x 3.54)	7 (15)	100 (220)	42720115
SM-SPS-160-90/12	Suction plate	900 x 120 (35.43 x 4.72)	7 (15)	160 (353)	42720047
SM-SPS-150-41/22	Suction plate	410 x 220 (16.14 x 8.66)	5 (11)	150 (331)	42720018
SM-SPS-150-80/14	Suction plate	800 x 140 (31½ x 5.51)	7 (15)	150 (331)	42720013
SM-SPS-120-80/12	Suction plate	800 x 120 (31½ x 4.72)	6 (13)	120 (265)	42720043

Spare Parts:

ED-SPS: Highly wear-resistant replacement seal: Easy to attach without glueing.

Type	Description	Dead Weight kg (lbs)	Order-Number
ED-SPS-90	Replacement seal for SM-SPS-90	0.3 (0.66)	42500023
ED-SPS-200	Replacement seal for SM-SPS-200	1 (2.20)	42720004
ED-SPS-400	Replacement seal for SM-SPS-400	1 (2.20)	42720005
ED-SPS-600	Replacement seal for SM-SPS-600	1.26 (2.78)	42500027



QJ-600-E with SE-H



QJ-600-E with SE-H

QUICKJET QJ-600-E Vacuum Lifting Device

max. 600 kg/1,320 lbs

Lifts even very porous materials. For efficient and safe handling even of very porous products.

The vacuum power is generated by a strong, electrically powered vacuum turbine. Besides highly porous slabs, also products with exposed aggregates and other rough surfaces can be handled safely and quickly.

The compact QUICKJET QJ-600-E can be attached to any carrier by means of load hook, chains, slings etc. The vacuum lifting device comes with a fixed suction plate QJ-ESP-120-38/38 QJ – max. working load limit 120 kg (265 lbs) – and an electrical power cable with on-off switch at the plug connector.

The electric generator to operate the vacuum turbine is not included, however it is available as an optional accessory. This generator can be placed in frame of the QJ.

To ensure proper function of the electric turbine when powering the QJ with a generator, please be aware of the following facts:

The minimum continuous power production has to be 1.600 W. Exclusively generators with modern Inverter Technology, such as Honda EU 22 i, should be used.

Plug type F, 230 V.

- **New:** Increased insertion height for power generators.
- **New:** Release process now via Bowden cable with 2-fold actuation.
- Quick change fasteners allow for speedy attachment of different suction plates to the fixed plate QJ-ESP-120-38/38 within seconds. The different suction plates available are covering versatile kinds of application, various slab sizes and weights.
- A foldable handle ensures safe and accurate positioning of the slabs to be laid.
- The integrated chain guard assures additional safe operation.
- The QJ can be operated without generator at any time. In this case the QJ has to be connected to the electrical network by using an extension cable.
- Compact design.
- Durable surface protection by galvanizing.

Type	Description	Type of Drive electric/AC (60 Hz) kW	Type of Drive electric/AC (50 Hz) kW	Electric Voltage /AC (50 Hz) V	Electric Voltage /AC (60 Hz) V	Dead Weight kg (lbs)	Working Load Limit/WLL -200 mbar kg (lbs)	Order-Number
QJ-600-E	incl. Suction plate 120 kg (without generator)		1.5	230		41 (90)	600 (1,323)	52400045
QJ-600-E-110	incl. Suction plate 120 kg (without generator)	1.5			110	41 (90)	600 (1,323)	52400049

Accessories:

Type	Description	Dimensions L x W mm (in)	Type of Drive Petrol Engine kW	Electric Voltage /AC (50 Hz) V	Dead Weight kg (lbs)	Working Load Limit/WLL -200 mbar kg (lbs)	Order-Number
QJ-ESP-320-59/59	Suction Plate	590 x 590 (23.23 x 23.23)			13 (29)	320 (705)	42420102
QJ-ESP-400-98/48	Suction Plate	980 x 480 (38.58 x 18.90)			19 (42)	400 (882)	42420104
QJ-ESP-600-78,5/78,5	Suction Plate	785 x 785 (30.91 x 30.91)			22 (49)	600 (1,323)	42420106
QJ-ESP-350-151/29	Suction Plate	1,510 x 290 (59.45 x 11.42)			18 (40)	350 (772)	42420108
QJ-ESP-170-90/25	Suction Plate	900 x 250 (35.43 x 9.84)			13 (29)	170 (375)	42420110
QJ-ESP-250-90/35	Suction Plate	900 x 350 (35.43 x 13.78)			14 (31)	250 (551)	42420112
QJ-ESP-500-140/40	Suction Plate	1,400 x 400 (55.12 x 15.74)			21 (46)	500 (1,102)	42420114
SE-H Generator Honda EU 22 i	230 V 50 Hz petrol engine		2.25	230	22.5 (50)		52500243
Adapter QJ	For Rotator				1.5 (3.31)		40110319
Adapter QJ for SPEEDY suction plates	Adapter for mounting SPEEDY suction plates to QUICKJET QJ				6.1 (13)		42420118

5



QJ-RS

Wheelset QJ-RS for QUICKJET QJ-600-E

With its wheelset QJ-RS the QUICKJET becomes the perfect, mobile vacuum generator for economic and accurate installation of natural stones, concrete slabs, large-size pavers etc.

Furthermore the wheelset protects the suction plate during storage and transport.

The wheelset consists of a base plate with integrated wheels. The QUICKJET QJ and suction plate are just fixed by means of quick release fasteners.

MICROJUMBO-JET MJ-J can be connected easily via the vacuum connection of the carrier. By lifting-up the QUICKJET handle the unit can be moved like a wheelbarrow.

Even highly porous material can be handled safely & and quickly.

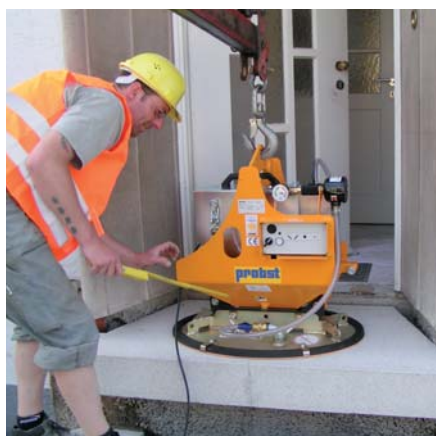
- Durable surface protection by galvanizing.

Type	Description	Dead Weight kg (lbs)	Order-Number
QJ-RS	Wheelset for QUICKJET	18 (40)	42420083

max. 1,000 kg/2,210 lbs



SH-1000-MINI-B



SH-1000-MINI-E

Vacuum Lifting Device SH-1000-MINI

For efficient and safe handling and laying of heavy loads up to 1,000 kg (2,210 lbs), such as granite slabs, dense concrete elements, marble slabs, kerb stones, steps etc.

Can be hooked on to any carrier or laying machine VM by means of load hook, chain, hoisting cable or similar.

SH-1000-MINI-H - with integrated hydraulic switch over from suction to release actions to be effected directly from the driver's seat. For operation only one hydraulic circuit is needed.

SH-MINI-B and E – are equipped with a manually operated valve for tripping suction and release sequences.

SH-MINI-E: Plug type F, 230 V.

Can be equipped with a hydraulic rotator as an add-on if requested.

- All-purpose lifting device – One-man operation.
- Huge ease of work.
- Enormous benefit in economization.
- By means of rapid change fasteners different suction plates can be attached to the SH within seconds for varying kinds of applications, various slab dimensions and weights.
- Central load balancing through two variable upper suspensions and adjustable attachment of suction plates.
- Generation of suction through powerful vacuum pump 12 cbm/h.
- Operating handles are arranged in ergonomic position for convenient direction and handling. Handles can easily be rearranged into a rack to put down the device on the ground securely.
- Fitted as standard with chain compartment and load securing chain.
- Compact design.
- Triple safety concept: integrated vacuum storage tank, visual checking via pressure check valve with red-green-area, battery powered acoustic warning device.

Type	Type of Drive electric/AC (50 Hz) kW	Type of Drive Petrol Engine kW	Type of Drive hydraulic kW	Electric Voltage /AC (50 Hz) V	Dead Weight kg (lbs)	Hydr. Volumetric Flow l/min (gpm)	Hydraulic Connection Pressure bar (psi)	Hydr. Backflow Pressure, max bar (psi)	Working Load Limit/ WLL -600 mbar kg (lbs)	Order-Number
SH-1000-MINI-H			2.5		91 (201)	16 – 80 (4.23 – 21.14)	80 – 320 (1,160 – 4,641)	10 (145.04)	1,000 (2,205)	52400040
SH-1000-MINI-B		2.9			90 (198)				1,000 (2,205)	52400018
SH-1000-MINI-E	0.52			230	89 (196)				1,000 (2,205)	52400020

For proper suction plates refer to page 94.

max. 1,650 kg/3,650 lbs

POWERJET PJ-1650 Vacuum-Lifting Device



PJ-1650-B



PJ-1650-H



PJ with PJ-RS

Large-sized concrete slabs with decorative surface finish as well as sandstone slabs may sometimes be very porous. The POWERJET PJ-1650 is especially designed for these kind of slabs.

The enormous suction capacity of this series makes an efficient and safe installation of such porous slabs possible now. This enormous suction capacity is produced by a special vacuum blower for vacuum generation.

Can be attached to any carrier by means of load hook, chain, ropes etc.

Can be equipped with a hydraulic rotator as an add-on if requested.

- With intelligent, battery powered warning system.
- Highest working safety due to integrated chain safety device, so that even highly porous lifting material is protected in case of power failure.
- Ergonomic handles for guiding the PJ.
- Compact design.
- Including high-volume dust filter.
- Durable surface protection by galvanizing.
- Powered by integrated petrol engine with electric start, with integrated manually operated suction release device.
- Optional features: radio remote control of the suction release device PJ-B-FFS or alternatively hydraulically operated suction release device PJ-B-HAE.
- With one of these two options, the vacuum lifting device becomes fully one-man operation. The operator controls the activation and release of suction from the drivers seat.

PJ-1650-H: Powered by the hydraulic system of the carrier, standard equipment includes hydraulically operated suction release device, the operator controls the activation and release of suction from the drivers seat.

Type	Type of Drive hydraulic kW	Type of Drive Petrol Engine kW	Dead Weight kg (lbs)	Hydr. Backflow Pressure, max bar (psi)	Hydr. Volumetric Flow l/min (gpm)	Hydraulic Connection Pressure, min bar (psi)	Working Load Limit/WLL -400 mbar kg (lbs)	Order-Number
PJ-1650-B		6.6	132 (291)				1,650 (3,638)	52400036
PJ-1650-H	5.0		117 (258)	10 (145.04)	16 – 70 (4.23 – 18.49)	200 – 320 (2,901 – 4,641)	1,650 (3,638)	52400038

Accessories:

PJ-RS: Transport Trolley suitable for PJ-1650-B and -H. For using the POWERJET device as mobile vacuum unit on site. Safe transport.

Type	Description	Dead Weight kg (lbs)	Order-Number
PJ-RS	Transport trolley for PJ-1650-B and -H.	20.1 (44)	42400497
PJ-B-FFS	Radio remote control for suction release for PJ-1650-B	0.5 (1.10)	42400502
PJ-B-HAE	Hydraulic release device, carrier has to provide one separate hydraulic circuit for proper connection. Inclusive Hydraulic hose. For operation w/VM-X/401/301/203.	1.12 (2.47)	41900122
PJ-B-HAE	Hydraulic release device, carrier has to provide one separate hydraulic circuit for proper connection. Inclusive Hydraulic hose. For operation w/excavator.	1.32 (2.91)	41900123

Vacuum Lifting Device SH for heavy loads up to 3,500 kg

5



SH-2500-GREENLINE

For easy and efficient handling and laying of natural stones, concrete and marble slabs, pipes and steps, etc.

- Designed and equipped specifically for tough construction site use.
- Can be attached to any carrier by load hook, chains, rope.
- Efficient, flexible operation with no compromise on safety.
- In seconds, various suction plates can be fitted to the SH via a quick release locating pin, enabling it to be used for many different purposes and with many different loads.

max. 3,500 kg/7,700 lbs



SH-3500-B

Vacuum Lifting Device SH-3500-B

Threefold vacuum pump capacity compared with the previous standard SH-2500-UNI-B device, producing a significantly faster buildup of vacuum, also suitable for more porous elements. Complete automatic drive via integral petrol engine with electric starter.

Optional available: Wheelset SH-3500-RS, support feet SH-3500-AF and remote control SH-3500-FFS.

- With integral chain-box and load-securing chain.
- Suction and release operation via comfortable button-activation on the control console.
- Built-in operating hours counter.
- With fork sleeves for lifting forks for transportation and for laying.
- All available SH-suction plates are compatible with the SH-3500-B. (in connection with SPS-2500 an adapter is required)

Type	Description	Type of Drive Petrol Engine kW	Dead Weight kg (lbs)	Working Load Limit/WLL -600 mbar kg (lbs)	Order-Number
SH-3500-B	Basic device, without suction plate	3.6	177.4 (391)	3,500 (7,716)	52400041
SH-3500-B-FFS	Basic device, without suction plate. With remote control	3.6	180 (397)	3,500 (7,716)	52400047

Accessories:

Type	Description	Dead Weight kg (lbs)	Working Load Limit/WLL kg (lbs)	Order-Number
SH-3500-RS	Wheelset for SH-3500-B	10.6 (23)		42500256
SH-3500-AF	Support feet for SH-3500-B	12.8 (28)		42400579
SH-AD	Retrofit kit with Rotator	44.1 (97)		42500267
SH-TRA-3500 Spreader Bar	For multiple use of the suction plates single plates adjustable. Suction plate turnable by 90°. Distance between centres of suction plates adjustable from max. 1,450 mm (57 inch) to min. 560 mm (22 inch)	63.3 (140)	3,500 (7,716)	42500260

max. 2,500 kg/5,500 lbs

Vacuum Lifting Device SH-2500



SH-2500-UNI-E



SH-2500-UNI-B

Main Body robust and compact for use on the building site.
Working load limit: Type SH-2500-UNI up to 2,500 kg at – 0.6 bar.
The working load limit is dependent on the suction plate used.

Safety Devices:

- Vacuum gauge
- Safety vacuum storage tank
- Pressure relieve valve

Various Means of Power:

- E = electric, 230 Volt, single phase
- B = petrol engine

Motor-protecting switch, "Schuko" connector including connecting plug (only for SH-2500-UNI-E).
Manually operated valve for vacuum "on/off".

- Acoustic warning device with inbuilt intelligence. Batteries last approx. 1 year.
- Operating handle in ergonomic position.
- Fitted as standard with chain compartment and load securing chain.

SH-2500-UNI-E: Plug type F, 230 V

Type	Type of Drive electric/AC (50 Hz) kW	Type of Drive Petrol Engine kW	Electric Voltage /AC (50 Hz) V	Dead Weight kg (lbs)	Working Load Limit/WLL -600 mbar kg (lbs)	Order-Number
SH-2500-UNI-E	0.55		230	116 (256)	2,500 (5,512)	52400044
SH-2500-UNI-B		2.9		120 (265)	2,500 (5,512)	52400043

Accessories:

SH-2500-HGV: Should be used when laying elements wider than 1 meter (39.37 inch). This way, the employee is out of the danger zone during the application. Handle Extension SH-2500-HGV can be fitted at any time later to the structure of SH-2500 by bolting it on with brackets.

SH-2500-RS: The wheelset consists of two attachable main wheels, diameter 300 mm (11.81 inch), one foldable support-wheel and one swivelling wheel. Later attachment to the basic device SH is no problem.

Type	Description	Dead Weight kg (lbs)	Order-Number
SH-2500-HGV	Handle extension for all models SH-2500	5.5 (12)	42400088
SH-2500-RS	Wheelset for all models SH-2500	7.7 (17)	42500299

max. 2,500 kg/5,500 lbs



SH-2500-GREENLINE

Vacuum Lifting Device SH-2500-GREENLINE

The classic now also with battery power. Powerful and independent of mains power.

Suitable for predominantly non-porous concrete and natural stone elements.

Fitted as standard with load securing chain.

Powered by a 24 V lithium-ion rechargeable battery. (exchangeable battery concept) can operate up to 6 hours.

Can be equipped with a hydraulic rotator as an add-on if requested.

■ Emission-free and low-noise operation.

Scope of delivery:

SH-2500-GREENLINE: 1 x rechargeable battery and a 230 V/50 Hz charger. The charging time is approx. 2.5 hours.

SH-2500-GREENLINE-FFS: As SH-2500-GREENLINE, but with additional remote control for suction and release.

Type	Description	Battery Capacity Ah	Type of Drive electric/Battery kW	Working Voltage V	Dead Weight kg (lbs)	Working Load Limit/WLL -600 mbar kg (lbs)	Order-Number
SH-2500-GREENLINE	Basic device, without suction plate	23	0.4	24	151 (333)	2,500 (5,512)	52400046
SH-2500-GREENLINE-FFS	Basic device, without suction plate. With remote control	23	0.4	24	151 (333)	2,500 (5,512)	52400048

Accessories:

SH-2500-HGV: Should be used when laying elements wider than 1 meter (39½ inch). This way, the employee is out of the danger zone during the application. Handle Extension SH-2500-HGV can be fitted at any time later to the structure of SH-2500 by bolting it on with brackets.

SH-2500-RS: The wheelset consists of two attachable main wheels, diameter 300 mm (11¼ inch), one foldable support-wheel and one swivelling wheel. Later attachment to the basic device SH is no problem.

Type	Description	Battery Capacity Ah	Working Voltage V	Dead Weight kg (lbs)	Order-Number
Battery-24V/23Ah	Spare storage battery for SH-2500-GREENLINE	23	24	5 (11)	24200142
SH-2500-HGV	Handle extension for all models SH-2500			5.5 (12)	42400088
SH-2500-RS	Wheelset for all models SH-2500			7.7 (17)	42500299

For suction plates see page 94.



Attachments for Vacuum Lifting Device SH/POWERJET PJ

For different jobs we recommend special suction plates. All suction plates can be changed by means of a quick release coupling (modular principle). The carrying capacities depend on the size of the suction plate.



SPS-2500(1650)-143/78

Suction Plates SPS for Lifting Device SH/POWERJET PJ

Suction plates for profiled surfaces (e.g. pipes) are available on request. Suction plates are obtainable in all sizes on request.

The Probst special foam-rubber seal is suitable for all types of materials:

- Particularly good with uneven surfaces.
- Extremely durable.
- Changed in a flash: take the old one off, put on the new one – finished!

Type	Dimensions oval, L x B mm (in)	Diameter outside mm (in)	Dead Weight kg (lbs)	Working Load Limit/ WLL -600 mbar kg (lbs)	Working Load Limit/WLL -400 mbar kg (lbs)	Order-Number
SPS-3500(2300)-174/92	1,740 x 920 (68½ x 36.22)		95 (209)	3,500 (7,716)	2,300 (5,071)	42400555
SPS-2500(1650)-143/78	1,430 x 780 (56.30 x 30.71)		50 (110)	2,500 (5,512)	1,650 (3,638)	52500239
SPS-1500(1000)-80/75	800 x 750 (31½ x 29.53)		38 (84)	1,500 (3,307)	1,000 (2,205)	42400232
SPS-1200(800)-96/58	960 x 580 (37.80 x 22.83)		32 (71)	1,200 (2,646)	800 (1,764)	52500162
SPS-1010(670)-84/57	840 x 570 (33.07 x 22.44)		27 (60)	1,010 (2,227)	670 (1,477)	52500238
SPS-500(330)-67/40	670 x 400 (26.38 x 15¾)		17 (37)	500 (1,102)	330 (728)	52500002
SPS-400(260)-75/27	750 x 270 (29.53 x 10.63)		15 (33)	400 (882)	260 (573)	52500003
SPS-200(130)-37/37-RD		370 (14.57)	10 (22)	200 (441)	130 (287)	52500005
Fixing bolt for suction plate			0.47 (1.04)			20390001

Spare Parts:

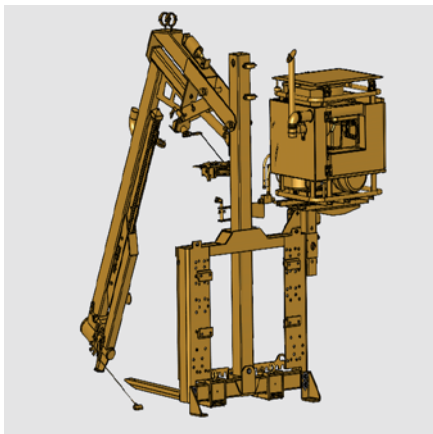
ED-SPS: Highly wear-resistant replacement seal: Easy to attach without gluing. Incl. holding fixture.

Type	Description	Order-Number
ED-SPS-3500	Replacement seal for SPS-3500	42500154
ED-SPS-2500	Replacement seal for SPS-2500	42500313
ED-SPS-1500	Replacement seal for SPS-1500	42500004
ED-SPS-1200	Replacement seal for SPS-1200	42500005
ED-SPS-1010	Replacement seal for SPS-1010	42500006
ED-SPS-500	Replacement seal for SPS-500	42500002
ED-SPS-200	Replacement seal for SPS-200	42700009

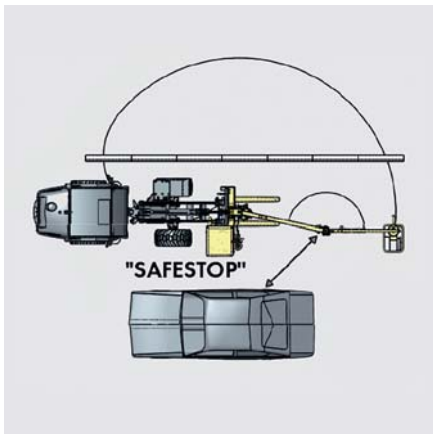
max. 250 kg/550 lbs



JUMBO-BV-VARIO-150-B



JUMBO-BV-VARIO-150-B



“SAFESTOP” prevents uncontrolled slewing of the articulated boom”

Vacuum Kerb Stone Installation Machine JUMBO-BV-VARIO

The BV-VARIO with articulated boom is equipped with the innovative Probst safety feature “SAFESTOP”. thus highest safety in the slewing range!

Mostly kerb stones are installed one side of the road, while on the other side vehicles are still allowed to drive. Existing knuckle boom jibs provide some advantages, such as space requirements, but usually they have disadvantages because it cannot be avoided that they might swing into the trafficed area. This could cause fatal accidents.

Vacuum Components:

Petrol engine and vacuum turbine unit with silencer.

Supply hose and lifting hose.

Lifting height from fork prong level up to approximately 1,100 mm (43.30 inch).

Operating Valve unit with handle, dustfilter.

Kerb stone suction gripper with durable foam rubber seal, also suitable for natural kerbstones.

All components can be changed using quick fasteners.

Pillar Swing Crane:

With hydraulic, vertical tilt capability, diagonal to the direction in which it is travelling.

Capable of tilting in the direction in which it is travelling via the pivotal cylinder of the loading bucket.

Swing range of the crane jib appr. 270°.

Height of the jib appr. 2,800 mm (110.23 inch).

The jib can be folded hydraulically.

Suction plate: Incl. 1 kerb stone suction plate WSP-150 (Working load limit 150 kg/330 lbs).

- Innovative Safety Feature: knuckle boom with shifting suspension with „SAFESTOP“.
- Via two adjustment bolts, the operator can make sure, whether he only wants to install on the left side, the right side or on both sides of the loader. Now it is easy, fast and safe to do installation works up to 150 kg (330 lbs) also along-side walls, around trees or posts.
- Installing heavy elements by vacuum lifting force light as a feather, combined with best logistic: distribution and installation in one go. Cost effective and health and safety conjus for your workers.
- The jib can be folded down for compact transportation measurements quick and easy via a hydraulic cylinder.
- Feeding the vacuum to the lifting unit by well thought out design through the knuckle boom link.
- Easy and quick locking of both knuckle boom links by spring loaded bolt.
- Time saving: 7 kerbs, each 1,000 mm (39.37 inch) long can be installed without moving the loader.
- Well proven quick change device for fitting different suction plates within less than one minute.
- New: With reinforced boom, 250 kg (550 lbs) payload is possible at full extension. (only art. no. 52200016).

Type	Type of Drive Petrol Engine kW	Working Width mm (in)	Load Extension mm (in)	Dead Weight kg (lbs)	Working Load Limit/WLL -420 mbar kg (lbs)	Order-Number
JUMBO-BV-VARIO-150-B	8.1	7,000 (275.59)	3,500 (137.80)	520 (1,146)	150 (331)	52200011
JUMBO BV-VARIO-250-B-XL *	8.1	7,000 (275.59)	3,500 (137.80)	555 (1,224)	250 (551)	52200016

* Expected to be available as of 3rd quarter 2023



MM-150-D with Vacuum Turbine Unit, Lifting Hose Unit, Operating Unit, Hose Cylinder Extension and Suction Plate

MULTIMOBIL MM-150-D

The slim all-rounder for landscaping. Transport's concrete and natural stone elements and bulk material

The narrow laying trolley moves large loads directly to the laying location quickly and without effort. Even to places where no other vehicle can go! Due to the narrow vehicle width of only 700 mm (27.55 inch), the MULTIMOBIL MM can also get through normal doors and thus also into private gardens.

The two interchangeable bodies (1. Interchangeable body with mast and articulated boom, 2. Interchangeable body with tiltable/interchangeable body) can be changed easily, quickly and without tools by one person thanks to the practical body change system.



MM-150-D

Type	Description	Type of Drive Diesel Engine kW	Load Extension mm (in)	Width mm (in)	Driving Speed km/h (mph)	Weight Dead Weight kg (lbs)	Payload kg (lbs)	Working Load Limit/WLL kg (lbs)*	Volume Hopper m ³ (ft ³)	Volume Shovel m ³ (ft ³)	Order-Number
MM-150-D	Crawler chassis with interchangeable body with mast and articulated boom	4.9	2,600 – 2,100 / 1,700 (102.36 – 82.68 / 66.93)	700 (27.56)	1.6 / 5.2 (1.0 / 3.2)	610 (1,345)	400 (882)	50 – 85 / 150 (110 – 187 / 331)			43500031
MM-KA	Tilting/interchangeable body (Dump body and self-loading shovel – without crawler chassis)					235 (518)	450 (992)	450 (992)	0.3 (10.59)	0.05 (1.77)	43500033

*Working load limit depending on the inserted load extension.



Crawler chassis of MM-150-D when changing the body MM-KA

MULTIMOBIL MM-150-D

Crawler chassis with Yanmar diesel engine incl. interchangeable body with mast and articulated boom.

Interchangeable body 1 with mast and articulated boom:

Transport and handling of concrete and natural stone elements.

Flexible platform construction, with height-adjustable mast and articulated boom, which can be equipped with a wide range of attachment tools (see accessories).

If required, the platform superstructure can be placed on supports so that the laying work can also be carried out without the chassis. The optional counterweight set MM-GS ensures the necessary stability. A second person can thus work in parallel with the crawler chassis and the tilting / interchangeable body.

Interchangeable body 2 with tilting / interchangeable body MM-KA:

For transport of bulk materials.

Optionally available tipper body with hydraulically tipping trough, hydraulic actuated self-loading bucket, quick-change couplings for the 4 hydraulic connections and 4 telescopic supports for parking the body.

The articulated boom of the platform superstructure can be extended with different attachment tools.

These items are:

Attached to the electric wire rope hoist (230 V, wired):

- Mechanical grab, e.g. EASYGRIP EXG/EXG-MAXI Border Stone Handle.
- Ergonomic Vacuum Control Unit VS-ERGO-SPS-50-29/22 in conjunction with SPEEDY VS as vacuum generator.
- STONEMAGNET SM-600-GREENLINE/SM-600-GREENLINE-POWER.

Combined with the vacuum generator VGE-230 on the loading area:

- Vacuum Lifting Hose Units HE-35 to HE-150, Operating Valve Unit BE-Sprint-2, Ergonomic Vacuum Control Unit BE-ERGOSPRINT, Hose Cylinder Extension SZV with corresponding suction plates.

Accessories:

Type	Description	Type of Drive electric/ AC (50 Hz) kW	Electric Voltage / AC (50 Hz) V	Weight Dead Weight kg (lbs)	Working Load Limit/WLL kg (lbs)	Order-Number
Rope hoist		0.75	230	22 (49)	200 / 400 (441 / 882)	43500036
MM-GS	Consisting of 4 x 60 kg (132 lbs) individual weights. For operation on MM-150-D without crawler chassis.			240 (529)		43500054



Ergonomic Vacuum Control Unit VS-ERGO-SPS-50-29/22

The construction materials are sucked in with the VS-ERGO-SPS-50-29/22, lifted by a wire rope hoist, and then transported to the place to be laid and set down. The detachment is secured with a 2-fold actuation to prevent unintentional detachment. In combination with a carrier device, such as the MULTIMOBIL MM, it is a very flexible vacuum lifting device. Thanks to the ergonomic operating unit, the operator can work in a standing position, which is easy on the operators back.

VS-ERGO-SPS-50-29/22

5

Type	Dimensions L x W mm (in)	Dead Weight kg (lbs)	Working Load Limit/WLL -200 mbar kg (lbs)	Order-Number
VS-ERGO-SPS-50-29/22	290 x 220 (11.42 x 8.66)	15 (33)	50 (110)	43500025



Vacuum Turbine Unit VGE-230

The blower is connected to a standard household 230 V power supply. All Probst vacuum lifting units from HE-35 to HE-85 can thus be operated without restriction.

The vacuum lifting unit HE-150 can also be operated with non porous materials. The blower unit is mounted on the MULTIMOBIL MM.

The fan is controlled with a frequency converter that does not overload the 230V house fuse.

VGE-230

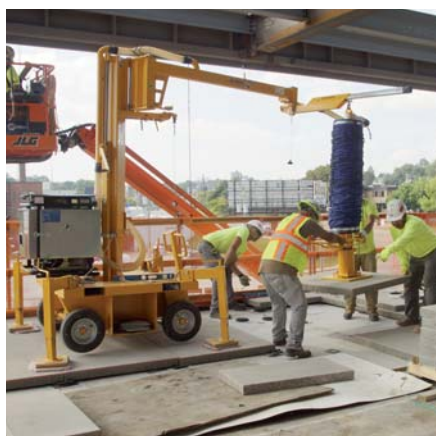
Type	Type of Drive electric/AC (50 Hz) kW	Electric Voltage /AC (50 Hz) V	Dead Weight kg (lbs)	Order-Number
VGE-230	2.5	230	77 (170)	42101425

Accessories:

Type	Description	Type of Drive electric/AC (50 Hz) kW	Electric Voltage / AC (50 Hz) V	Dead Weight kg (lbs)	Order-Number
MM-HE-AS	Retrofit kit for HE-35 to -150 on VGE-230 for MULTIMOBIL MM.	2.5	230	13 (29)	43500026



JM-VARIO-200-B



JM-VARIO-200-B

JUMBOMOBIL JM-VARIO Vacuum Slab Laying Machine

For the easy, exact and economical laying of concrete slabs, natural stones, slabs with exposed aggregates, large pavers, petrol station pavers and environmental pavers.

- Extremely easy and light laying as the lifting and setting down are done by a vacuum hose lifter.
- Exact positioning of slabs by means of a smooth-running pillar swing crane with low dead weight.
- Slabs which have already been laid can easily be lifted again.
- Can easily lay up to 300 square metres a day.
- With knuckle boom for safe and quick installation even along house walls.

Scope of delivery:

Chassis: Rugged undercarriage (L x W = 1,300 mm x 1,300 mm / 51.51 x 51.51 in), 1 steering axle, 1 axle with hand brake, 4 pneumatic heavy duty wheels, compartments for counter weights, foldable supports.

Swing Crane: Telescopic in height via a hand operated winch crane jib 4 m (157.48 in) in length and able to turn 350° with 4 different stopping points. Foldable down to 2 m (78.74 in) in length and 2 m (78.74 in) in height for easy transport.

Vacuum turbine unit VGE electrically driven (E): Powerful vacuum turbine with 3-phase electrical motor, maximum underpressure 520 mbar (7,541 psi), incl. motor protection switch, plug CEE 32 A with integrated phase-switch, silencer, air-fil-ter with pre-separator. Type VGE-SB-L-E.

Petrol driven (B): Powerful vacuum turbine with integrated petrol engine, silencer, service hourmeter, air-filter with pre-separator. Type VGE-3-RG-B including conversion kit.

Vacuum Hose Lifter: Supply hose, lifting unit, operating valve unit, hose-cylinder extension. Lifting height -250 mm/9.84 inch (below ground level) to +1250 mm/49.21 inch.

Suction plate ESP-150-31/31 (for JM-VARIO-150). Suction plate ESP-200-33/33 (for JM-VARIO-200)
All components are exchangeable via quick fasteners.

Type	Type of Drive electric/ AC (60 Hz) kW	Type of Drive electric/ AC (50 Hz) kW	Type of Drive Petrol Engine kW	Load Extension mm (in)	Electric Voltage /AC (50 Hz) V	Electric Voltage /AC (60 Hz) V	Dead Weight kg (lbs)	Working Load Limit/WLL -420 mbar kg (lbs)	Order-Number
JM-VARIO-150-E-EU	4.8	4		3,900 (153.54)	230/400	265/460	720 (1,587)	150 (331)	52000021
JM-VARIO-150-E-USA	4.8			3,900 (153.54)		230/460	720 (1,587)	150 (331)	52000022
JM-VARIO-200-E-EU	4.8	4		3,000 (118.11)	230/400	265/460	730 (1,609)	200 (441)	52000023
JM-VARIO-200-E-USA	4.8			3,000 (118.11)		230/460	730 (1,609)	200 (441)	52000024
JM-VARIO-150-B			8.1	3,900 (153.54)			720 (1,587)	150 (331)	52000018
JM-VARIO-200-B			8.1	3,000 (118.11)			730 (1,609)	200 (441)	52000020
JM-VARIO-150-E-EU*	4.8	4		3,900 (153.54)	230 – 400	265 – 460	725 (1,598)	150 (331)	52000025
JM-VARIO-150-E-USA*	4.8			3,900 (153.54)		230 – 460	725 (1,598)	150 (331)	52000026
JM-VARIO-200-E-EU*	4.8	4		3,000 (118.11)	230 – 400	265 – 460	735 (1,620)	200 (441)	52000027
JM-VARIO-200-E-USA*	4.8			3,000 (118.11)		230 – 460	735 (1,620)	200 (441)	52000028
JM-VARIO-150-B*			8.1	3,900 (153.54)			725 (1,598)	150 (331)	52000029
JM-VARIO-200-B*			8.1	3,000 (118.11)			735 (1,620)	200 (441)	52000030

*Expected to be available as of 3rd quarter 2023



TM-150-D-A-XL

TRANSMOBIL TM Installation Carrier

A compact universal machine – transport and handling of palletized building material and vacuum installation all in one.

With a dead weight of approx. 1,600 kg (3525 lbs) only, transportation is done easily with a standard trailer.

The powerful vacuum laying unit allows the immediate installation of heavy construction elements – effortless and without physical strain.

The lifting unit is equipped with 2 fork tines. Working length 1,090 mm (43”), horizontally adjustable.

Lifting height of the lifting unit 340 mm (13 1/2”), lifting capacity 1,500 kg (3,300 lbs).

For maximum pallet-width of 1,300 mm (51”).

Dimensions: Overall width 1,910 mm (75”). Total height in transporting position 2,280 mm (90”).

Total length in transporting position 2,300 mm (91”).

We offer two models:

TM-150-D-A-XL: with sound insulated Hatz Silent Pack diesel engine.

TM-150-D-A-SILENT-XL: with sound insulated Hatz Silent Pack diesel engine with additional soundproofing measures. Noise emission < 80 dB.

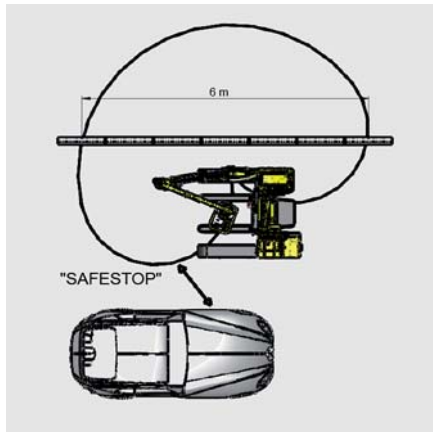
Both models are equipped with electronic, fully automatic boom alignment – makes work even quicker and particularly user-friendly. Positioning of laying elements without physical effort.



TM-150-D-A-XL

Type	Type of Drive Diesel Engine kW	Load Extension mm (in)	Weight Dead Weight kg (lbs)	Payload kg (lbs)	Working Load Limit/WLL kg (lbs)	Order-Number
TM-150-D-A-XL	9.6	3,000 (118.11)	1,576 (3,474)	1,500 (3,307)	150 – 250 (331 – 551)	52220012
TM-150-D-A-SILENT-XL	9.6	3,000 (118.11)	1,689 (3,724)	1,500 (3,307)	150 – 250 (331 – 551)	52220014
TM-150-D-A-XL*	9.6	3,000 (118.11)	1,595 (3,516)	1,500 (3,307)	150 – 250 (331 – 551)	52220015
TM-150-D-A-SILENT-XL*	9.6	3,000 (118.11)	1,710 (3,770)	1,500 (3,307)	150 – 250 (331 – 551)	52220016

*Expected to be available as of 3rd quarter 2023



"SAFESTOP" prevents uncontrolled slewing of the articulated boom"

- Mostly kerb stones are installed one side of the road, whilst on the other side vehicles are still allowed to drive. Knuckle boom jib with „SAFESTOP“ never reaches into the traffic area!
- Robust vacuum lifting unit 150 kg (330 lbs) capacity HE-150 and Operating valve unit BE-Sprint-2, can be taken off the unit by quick release connections, for example during the night (protection against vandalism).
- The mast of the vacuum laying unit can be adjusted precisely vertically to allow positioning of the lifting unit light as a feather alongside the perfectly horizontal jib. Adjustment approx. +/- 5 degree sideways, +/- 10 degree in driving direction.
- Compact transportation measurements. The jib is lowered down without manual power via a hydraulic cylinder.
- Quick and simple locking of both knuckle boom links by operating just one lever.
- Hour meter and ignition switch (safeguard in regards of insurance).
- Robust, powerful rubber crawler track – thus the TRANSMOBIL TM maneuvers well and unfailing even on rough terrain. Travel speed approx. 2,2 km/h (1,4 mph).
- Driven by powerful vacuum turbine, also lifts porous materials.
- With more powerful lifting hose unit, proper suction plate etc. and platform for counterweight TM-GGP upgradeable to 200 kg (440 lbs) lifting capacity when fully extended and up to 250 kg (550 lbs) at reduced outreach of 500 mm (19.68 inch).
- **New:** With reinforced boom, 250 kg (550 lbs) payload is possible at full extension. (only art. no. 52220015 and 52220016).

Accessories:

Type	Description	Weight Dead Weight kg (lbs)	Payload kg (lbs)	Order-Number
TM-GGP	Essential add-on once the lifting capacity exceeds 150 kg (330 lbs). Installation material, such as kerb stones serve as counterweight.	9.2 (20)	250 (551)	42220070

For suction plates see page 104 – 107 or contact us for professional advice.

011222 Technical data contained in this catalogue can be modified without prior notice in the interest of progress. Illustrations are exemplary and non-binding. No liability accepted for any misprints, mistakes and errors.



Lifting Hose Units HE

For use with the JUMBOMOBIL JM, JUMBO-BV, TRANSMOBIL TM, MULTIMOBIL MM, JUMBO Travelling Crane JWK or on any other crane carrier.
(Application of lifting hose unit HE-250 is not to be operated with JUMBOMOBIL and MULTIMOBIL MM).
Consists of:
Transportation hook.
Rotational Device and quick coupling, 2 inch.
Lifting hose unit with protective fabric as well as a flange for fitting onto the operating valve unit.
Available optionally for HE-150/200/250: reinforced belt stay with buckle.

HE-35 – HE-250

5

Type	Dimensions L x W x H mm (in)	Diameter outside mm (in)	Dead Weight kg (lbs)	Height Lifting Height mm (in)	Working Load Limit/WLL -420 mbar kg (lbs)	Order-Number
HE-35	206 x 437 x 2,775 (8.11 x 17.20 x 109.25)	120 (4.72)	9.5 (21)	1,700 (66.93)	35 (77)	42100001
HE-50	280 x 454 x 975 (11 x 17.87 x 38.38)	140 (5.51)	10.5 (23)	1,700 (66.93)	50 (110)	42100106
HE-85	280 454 x 995 (11 x 17.87 x 39.17)	178 (7.01)	13.5 (30)	1,700 (66.93)	85 (187)	42100002
HE-150	280 459 x 1,130 (11 x 18 x 44.48)	230 (9.06)	18.5 (41)	1,500 (59.06)	150 (331)	42100132
HE-200	280 x 459 x 1,193 (11 x 18 x 49.96)	250 (9.84)	22.5 (50)	1,500 (59.06)	200 (441)	42101114
HE-250	360 x 499 x 1,148 (14.17 x 19.64 x 45.19)	300 (11.81)	26.6 (59)	1,500 (59.06)	250 (551)	42101115



Operating Valve Unit BE-SPRINT-2

For direct coupling onto the lifting unit HE.
Longer operating handles on request.

Scope of delivery:

BE-SPRINT-2: Main body with handle 500 mm (19.68 inch) long, fixing screw for adjusting the hovering position, safety gauge.

BE-SPRINT-2

Type	Description	Dimensions L x W x H mm (in)	Dead Weight kg (lbs)	Order-Number
BE-SPRINT-2	for HE-35 up to HE-250	600 x 432 x 190 (23.62 x 17 x 7.48)	8.5 (19)	42100539



Ergonomic Vacuum Control Unit BE-ERGOSPRINT

Picking up and laying concrete elements in an upright posture.

The new ergonomic operating valve unit for mounting on all HE lifting units and vacuum hose lifters, including JUMBOMOBIL JM, TRANSMOBIL TM, JUMBO-BV and MULTIMOBIL MM.

- No more bending over when picking up, moving and laying the concrete element.
- Control of suction and release via rotary handle on the right handle.
- Handle can be locked in the uppermost position.
- Greater safety clearance to paving material.

BE-ERGOSPRINT

Type	Description	Dimensions L x W x H mm (in)	Dead Weight kg (lbs)	Order-Number
BE-ERGOSPRINT	for HE-35 up to HE-250	654 x 905 x 467 (25.74 x 35.62 x 18.38)	13.5 (30)	42101305



Hose Cylinder Extension SZV

Only to be used as and when required to enable ergonomic working conditions, at certain heights.

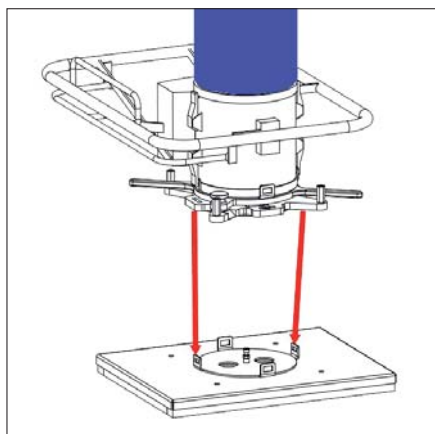
Length 300 mm (11.81 inch).

Scope of delivery:

SZV: Vacuum pipe with quick fasteners and transmission bar for ram.

SZV

Type	Description	Dead Weight kg (lbs)	Order-Number
SZV	for HE-35 up to HE-150	3.2 (7.05)	42100007
SZV-250	for HE-200 up to HE-250	5.8 (13)	42100008



Quick Change Device SWV-HE

Suction plates are usually fixed to the operating valve unit BE or hose cylinder extension SVZ through two hook latches.

In case suction plates have to be changed continually, the quick change device SWV-HE is highly recommended.

When using lifting hose units HE-200 and He-250, the lifting hose unit is fitted directly to the lifting hose unit by means of 4 tension rods (threaded rods).

- Faster suction plate changing with a simple twisting motion.
- Suitable for all lifting hose units from HE-35 to HE-250.
- Easy operation, no inconvenient screwing of adapters required.
- Operating errors no longer possible.

SWV-HE

5

Type	Description	Dead Weight kg (lbs)	Working Load Limit/WLL kg (lbs)	Order-Number
SWV-HE	Quick change device	3.8 (8.38)	250 (551)	42101026



Suction Plates ESP

For the direct coupling to the operating valve unit or the hose cylinder extension.

Suction plates with attached foam rubber seal, including lifter for tactile steering.

For more suction plates contact us for professional advice.

ESP-150-31/31

Type	Dimensions L x W mm (in)	Dead Weight kg (lbs)	Working Load Limit/WLL -420 mbar kg (lbs)	Order-Number
ESP-35-20/20	200 x 200 (7.87 x 7.87)	2 (4.41)	35 (77)	42100050
ESP-50-23/23	230 x 230 (9.06 x 9.06)	3 (6.61)	50 (110)	42100561
ESP-85-25,5/25,5	255 x 255 (10.04 x 10.04)	8 (18)	85 (187)	42100051
ESP-150-31/31	310 x 310 (12.20 x 12.20)	2.8 (6.17)	150 (331)	42100145
ESP-150-40/27,5	400 x 275 (15.74 x 10.83)	5 (11)	150 (331)	42100116
ESP-150-50/19	500 x 190 (19.69 x 7.48)	7 (15)	150 (331)	52300019
ESP-150-92,4/13,4	924 x 134 (36.38 x 5.28)	5 (11)	150 (331)	52300008
ESP-150-100/12,4	1,000 x 124 (39.37 x 4.88)	6 (13)	150 (331)	52300007
ESP-200-33/33	330 x 330 (12.99 x 12.99)	3 (6.61)	200 (441)	42100331
ESP-250-40/40	400 x 400 (15.74 x 15.74)	5 (11)	250 (551)	42100054

Please note: To ensure that the detachment safety device functions properly, suction plates with a lower load capacity than the lifting unit HE allows must not be used. The use of suction plates with a higher load capacity than that of the lifting unit is permitted.



Angled Suction Plates WSP

For the direct coupling to the operating valve unit or the hose cylinder extension.
Suction plates with glued-in foam rubber seal, including lifter for tactile steering.
Other suction plates on request.

WSP

Type	Dimensions L x W x H mm (in)	Dead Weight kg (lbs)	Working Load Limit/WLL -420 mbar kg (lbs)	Angle ° Degree	Order-Number
WSP-150-52/15-12-98°	520 x 150 x 120 (20.47 x 5.91 x 4.72)	4.7 (10)	150 (331)	98	52500184
WSP-150-70/8-11-143°	700 x 80 x 110 (27.56 x 3.15 x 4.33)	6 (13)	150 (331)	143	42100238
WSP-150-70/11-17-143°	700 x 110 x 170 (27.56 x 4.33 x 6.69)	6 (13)	150 (331)	143	42100126
WSP-150-85/7-7-135°	850 x 70 x 70 (33.46 x 2.76 x 2.76)	6 (13)	150 (331)	135	52300018
WSP-150-70/13-10-143°	700 x 130 x 100 (27.56 x 5.12 x 3.94)	6 (13)	150 (331)	143	52500131
WSP-150-90/10-14-93°	900 x 100 x 140 (35.43 x 3.94 x 5.51)	7 (15)	150 (331)	93	52300033
WSP-150-90/8-11-90°	900 x 80 x 110 (35.43 x 3.15 x 4.33)	7.5 (17)	150 (331)	90	42100795

Please note: To ensure that the detachment safety device functions properly, suction plates with a lower load capacity than the lifting unit HE allows must not be used. The use of suction plates with a higher load capacity than that of the lifting unit is permitted.



Multiple Suction Plate MSP-3-S-150-3x22Rd

Easy lifting and laying of concrete blocks.

With the 3-fold suction plate, concrete block paving can be laid effortlessly.

- Suitable for Probst lifting units up to HE-150.
- The distance between the suction plates can be adjusted with screws.
- Quickly replaceable sealing rings with low-wear sponge rubber.

MSP 3-way (rigid)

Type	Dimensions oval, L x B mm (in)	Number of Suction Plates Pcs.	Dead Weight kg (lbs)	Working Load Limit/WLL -420 mbar kg (lbs)	Order-Number
MSP-3-S-150-3x22Rd	220 (8.66)	3	9.9 (22)	150 (331)	42101192

NEW

Multiple Suction Plates MFS

Easy laying of up to 7 concrete blocks.

Attached to the lifting units up to HE-150, you can lay up to 7 concrete blocks safely and quickly with the Probst multiple suction plates MFS.

MFS-150-7-S-15Rd (rigid): Multiple suction plate (7 bellows) with various predefined hole spacings for mounting the bellows. It is also possible to lift only 5 or 6 bricks. Unused bellows can be plugged with an optionally available protective cover and sealing plate and mounted on top of the traverse for trouble-free operation.

MFS-150-7-V-15Rd (movable): Multiple suction plate (7 bellows) with distance adjustment. Especially when laying gutter stones, a distance between the individual stones is prescribed in accordance with DIN18318 (road construction work, paved surfaces and slabbed surfaces). Therefore, with this MFS, a distance of 8 mm can be set between the individual stones in the raised state via a hand lever.

- Height and angle compensation means that even rows of stones that are not completely level can be lifted.
- Fast suction process.
- Sealing bellows can be quickly replaced without tools.



MFS 7-way (rigid)



MFS 7-way (movable)

Type	Dimensions oval, L x B mm (in)	Number of Suction Plates Pcs.	Dead Weight kg (lbs)	Working Load Limit/ WLL -420 mbar kg (lbs)	Shifting mm (in)	Order-Number
MFS-150-7-S-15Rd	150 (5.91)	7	12 (26)	150 (331)		42101500
MFS-150-7-V-15Rd	150 (5.91)	7	15 (33)	150 (331)	8 (0.31)	42101501



top: UZ-BV, bottom: VZ-BV



RG-VZ

Mechanical clamps for lifting unit

Mechanical grippers can be mounted instead of vacuum suction plates onto the vacuum hose lifter.

In this scenario, the vacuum energy is lifting the products whilst the mechanical gripper grabs the product. In this case, the sensitive speed control of lifting and lowering by the vacuum hose lifter is obtained.

UZ-BV: universal kerb stone clamp specially designed to grab the kerbs crossway. This is how curved kerb stones with different radiuses can be handled.

VZ-BV-98/100: this clamp has been specially designed to cope with the rare cases when kerb stones are too porous to be lifted with vacuum, so they therefore have to be lifted mechanically.

VZ-BV-40/104: this clamp has been specially designed to cope with the rare cases when kerb stones are too porous to be lifted with vacuum, so they therefore have to be lifted mechanically.

RG-VZ: Special clamp for the laying of 1, 2 or 3 grass stone slabs in one movement.

Type	Description	Length of Gripper mm (in)	Inside Height mm (in)	Dead Weight kg (lbs)	Gripping Range mm (in)	Working Load Limit/WLL kg (lbs)	Order-Number
UZ-BV	Radius Kerb Clamp	250 (9.84)	214 (8.43)	12 (26)	80 – 220 (3.15 – 8.66)	150 (331)	52300031
VZ-BV-98/100	Mechanical Kerb Stone Handle	100 (3.94)	70 (2.76)	8 (18)	980 – 1,000 (38.58 – 39.37)	150 (331)	42300001
VZ-BV-40/104	Mechanical Kerb Stone Handle	100 (3.94)	55 (2.17)	6.9 (15)	400 – 1,045 (15.74 – 41.14)	150 (331)	42300149
RG-VZ	Turf Stone Handle	50 (1.97)	80 (3.15)	12 (26)	100 – 490 (3.94 – 19.29)	70 (154)	42000003



Vacuum Measuring Case VMK

For measuring the actual negative pressure of our vacuum devices.

The negative pressure of the individual components (suction plate, lifting hose and supply hose) can be measured gradually with this. Possible leaks in the vacuum system can be identified here.

Scope of delivery:

VMK: Case contents: Vacuum measuring device, pneumatic hose 6x1, 9V battery, cannula, universal measuring adapter, measuring adapter cannula, GEKA measuring adapter, hose coupling measuring adapter.

VMK

Type	Dead Weight kg (lbs)	Order-Number
VMK	4.8 (11)	52950003



Device for Vacuum Test UXP

To check the different components of a vacuum system for leaks.

UXP

Type	Dead Weight kg (lbs)	Measuring Range bar (psi)	Order-Number
UXP	0.4 (0.88)	0 -- -1 (0.00 -- -14.50)	22130014



Kerb Stone Clamp VZ-M-UNI

Fully mechanical operation for use with any wheel loader, excavator or other carriers.

- Lifting eye for attaching to crane hook.
- Handles for optimal guidance of the clamp.
- Automatic release for the fully automatic switch over from "full" to "empty".
- Durable surface protection by galvanizing.

VZ-M-UNI

Type	Length of Gripper mm (in)	Inside Height mm (in)	Dead Weight kg (lbs)	Gripping Range mm (in)	Working Load Limit/WLL kg (lbs)	Order-Number
VZ-M-UNI	150 (5.91)	50 (1.97)	21 (46)	900 – 1,065 (35.43 – 41.93)	300 (661)	53100275



Kerb Stone Handles BZ

For the handling of kerb stones, edging stones, gutters and similar. Also for natural kerb stones.

The plumb line remains completely free through a short intervening.
We recommend, using the kerb stone handles in pairs.

- Exchangeable rubber grippers in grey.
- Galvanised finish.

BZ

Type	Length of Gripper mm (in)	Inside Height mm (in)	Dead Weight kg (lbs)	Gripping Range mm (in)	Working Load Limit/WLL kg (lbs)	Order-Number
BZ	150 (5.91)	200 (7.87)	3.8 (8.38)	0 – 400 (0.00 – 15.74)	150 (331)	53200084

Spare Parts:

Type	Description	Dead Weight kg (lbs)	Order-Number
Spare Rubbers BZ	per piece, loose (grey)	0.08 (0.18)	43200006
Spare Rubbers BZ	2 pieces in plastic bag (grey)	0.16 (0.35)	43200115

011727 Technical data contained in this catalogue can be modified without prior notice in the interest of progress. Illustrations are exemplary and non-binding. No liability accepted for any misprints, mistakes and errors.



Universal Handle BVZ

A large adjustable opening range means the BVZ can be universally used for all gardening- and landscaping-design products.

- Removable handles.
- Exchangeable rubber metal bars as gripping elements.
- Galvanised finish.
- Pin bolts to adjust the opening width.

BVZ

Type	Length of Gripper mm (in)	Inside Height mm (in)	Dead Weight kg (lbs)	Gripping Range mm (in)	Working Load Limit/WLL kg (lbs)	Order-Number
BVZ	200 (7.87)	210 (8.27)	11.5 (25)	0 – 550 (0.00 – 21.65)	200 (441)	53200020



Laying Clamp VZ

Especially suitable for handling concrete kerb stones.

- The one-sided angular supports which are placed on the kerb stone already in place enable an extremely narrow joint.
- Grips longitudinally so that it can be used in tightest spaces.
- No deflection of the plumb line.
- All models are equipped with a lifting eye.
- Durable surface protection by galvanizing.

VZ-II: Comes complete with rubber grippers, suitable for moving large slabs.

VZ-I

Type	Length of Gripper mm (in)	Inside Height mm (in)	Dead Weight kg (lbs)	Gripping Range mm (in)	Working Load Limit/WLL kg (lbs)	Order-Number
VZ-I	100 (3.94)	40 (1.57)	11 (24)	500 – 1,045 (19.69 – 41.14)	100 (220)	53100140
VZ-II	200 (7.87)	50 (1.97)	25 (55)	700 – 1,000 (27.56 – 39.37)	300 (661)	53100141



EASYGRIP EXG Border Stone Handle

Small, lightweight, easy to handle but nonetheless ultra-strong!
EASYGRIP EXG is a mechanical grab suitable for handling parallel, plane and non-conical concrete elements, such as border stones, slabs, block steps and kerb stones.

- The compact and lightweight EASYGRIP EXG can be attached to a carrier (loading crane, mini-excavator etc.) by means of hoisting belts or chains. Thus just one person is able to operate the grab mechanically.
- The grab comes with two handles and thus is also suitable for a two-man manual operation.

EXG-MAXI: With larger gripping range and height-adjustable support as standard.

EXG

Type	Length of Gripper mm (in)	Inside Height mm (in)	Dead Weight kg (lbs)	Gripping Range mm (in)	Working Load Limit/WLL kg (lbs)	Order-Number
EXG	235 (9.25)	145 – 195 (5.71 – 7.68)	12.4 (27)	0 – 300 (0.00 – 11.81)	550 (1,213)	53100370
EXG-MAXI	235 (9.25)	165 – 215 (6.49 – 8.46)	16 (35)	0 – 400 (0.00 – 15.74)	600 (1,323)	53100392



TG-5/12



TG-5/12 with TG-HGV

TWISTGRIP TG-5/12 Kerb and Strip Stone handle

Powerful grip with a simple turn of the handle.

Basic model TG-5/12: virtually provides kerb and border stones with a "handle".

- Can be set to any grip width from 5 to 12 cm in seconds, without using a tool.
- It takes only 2.5 turns to achieve a full working load limit.
- Compact dimensions, low machine weight.
- Non-damaging grip thanks to highly wear-resistant, replaceable rubber elements.

Type	Length of Gripper mm (in)	Inside Height mm (in)	Dead Weight kg (lbs)	Gripping Range mm (in)	Working Load Limit/WLL kg (lbs)	Order-Number
TG-5/12	90 (3.54)	60 (2.36)	3 (6.61)	50 – 120 (1.97 – 4.72)	80 (176)	53200102

Accessories:

TG-HGV: Handle extension for retro-fitting. Depending on the situation, achieves even better ergonomic position. Light as a feather, thanks to aluminium and wood.

Type	Description	Dead Weight kg (lbs)	Order-Number
TG-HGV	Handle extension	0.41 (0.90)	43200108



Concrete Step Handles TSV

Universal handles due to a large adjustable opening range. Suitable for steps, kerbs, L-stones, etc.

- Lifting eye for attaching to crane hook.
- Automatic release for fully automatic switch-over from “full” to “empty”.
- Carrying handle.
- Carrying handle turnable by 90° according to the working space.
- Exchangeable rubber grippers.
- Galvanised finish.

TSV

Type	Length of Gripper mm (in)	Inside Height mm (in)	Dead Weight kg (lbs)	Gripping Range mm (in)	Working Load Limit/WLL kg (lbs)	Order-Number
TSV	200 (7.87)	125 (4.92)	19 (42)	70 – 500 (2.76 – 19.69)	250 (551)	53100435



Turf Stone Laying Clamp RGV-9/9

Laying Clamp for Turf Stones, versatile due to exchangeable adaptors.

RGV-9/9 fits Turf Stones 60 x 40 cm, hole dim. 9 x 9 cm (3.54 x 3.54 inch).

Installs 1 to 5 units at once.

Other adaptors on request.

- Automatic release for fully automatic switch-over from “full” to “empty”.
- Lifting eye, handle, turnable by 90°.
- Screwable adaptors – not compatible with TSV.
- Durable surface protection by galvanizing.

RGV-9/9

Type	Description	Length of Gripper mm (in)	Inside Height mm (in)	Dead Weight kg (lbs)	Gripping Range mm (in)	Working Load Limit/WLL kg (lbs)	Order-Number
RGV-9/9	Complete unit, RGV+RGV-AS-9/9	400 (15.74)	20 – 60 (0.79 – 2.36)	21 (46)	300 – 500 (11.81 – 19.69)	250 (551)	53100436

Accessories:

Type	Description	Inside Height mm (in)	Dead Weight kg (lbs)	Working Load Limit/WLL kg (lbs)	Order-Number
RGV-AS-9/9	Adaptors for 9 x 9 cm (3.54 x 3.54 inch)	20 – 60 (0.79 – 2.36)	5 (11)	250 (551)	43101153
RGV-UA	Universal adapter for hole distance 150 / 200 / 256 / 300 / 331 / 400 mm 6 / 7.87 / 10 / 11.81 / 13 / 15.74 inch	25 – 50 (0.98 – 1.97)	6.8 (15)	250 (551)	43101730

011222 Technical data contained in this catalogue can be modified without prior notice in the interest of progress. Illustrations are exemplary and non-binding. No liability accepted for any misprints, mistakes and errors.



TSZ-UNI with HVA-FTZ/TSZ

Concrete Step Handles TSZ

Suitable for handling steps, kerb stones etc. in conjunction with a lifting device.

- Easily adjustable opening width by means of a spring-loaded bolt.
- Considerable inside height. Conical kerb stones are also gripped securely, as the gripper has an inside height of 185 mm (7.28 inch) thus being able to grip underneath the conical form.
- Lifting eye for attaching to crane hook.
- Automatic release for fully automatic switch-over from "full" to "empty".
- Exchangeable profiled rubber seals.
- Galvanised finish.



TSZ-UNI-WB-SQ

Type	Length of Gripper mm (in)	Inside Height mm (in)	Dead Weight kg (lbs)	Gripping Range mm (in)	Working Load Limit/WLL kg (lbs)	Order-Number
TSZ-UNI	350 (13.78)	185 (7.28)	32 (71)	50 – 600 (1.97 – 23.62)	600 (1,323)	53100338
TSZ-MAXI	350 (13.78)	185 (7.28)	35 (77)	850 – 1,100 (33.46 – 43.31)	600 (1,323)	53100364

Accessories:

TSZ-UNI-WB-SQ: Special steel-finger grippers allow for safe installation of roughly-cut ashlar rocks. The steel-finger grippers can be screwed on the clamp in just a few simple steps for (all TSZ-UNI built in or after 2009, order number 53100338).

TSZ-UNI-ET: Fork sleeve with lifting eye and manual turning device, engaging every 90°. Thus the TSZ-UNI can be picked-up with the fork lift truck tines.

Adjustable Height Stop HVA-FTZ/TSZ: for all versions of FTZ-UNI/MAXI/MULTI and TSZ-UNI. Adjustable range TSZ-UNI/MAXI approx. 55 – 140 mm (2.16 – 5.51 inch). Adjustable range FTZ-UNI/MAXI-25 and FTZ-UNI/MULTI-15 approx. 120 – 255 mm (4.72 – 10 inch).

FTZ-UNI-50 approx. 55 – 155 mm (2.16 – 6.10 inch). FTZ-MAXI-50 approx. 55 – 195 mm (2.16 – 7.67 inch).

Type	Inside Height mm (in)	Dead Weight kg (lbs)	Gripping Range mm (in)	Working Load Limit/WLL kg (lbs)	Order-Number
TSZ-UNI-WB-SQ	210 (8.27)	5.58 (12)	50 – 550 (1.97 – 21.65)	600 (1,323)	43101384
TSZ-UNI-ET		25 (55)		600 (1,323)	43101130
Adjustable Height Stop HVA-FTZ/TSZ		2.5 (5.51)			43100867



FTZ-UNI-15



FTZ-MAXI-25

Grab for Prefabricated Concrete Products FTZ

FTZ-I: special compact clamp for laying heavy granit kerbs.

FTZ-BB: designed kerb stones with high concave section for bus stops („Kassel Kerb“).

FTZ-UNI: Universal clamp for all kind of precast elements.

FTZ-MAXI: As FTZ-UNI but with a very large gripping range.

- Gripping width adjustment by spring loaded bolt. Bolt can not get lost.
- Suspension bolt for lifting device.
- Automatic release for fully automatic switch over from „full“ to „empty“.
- Exchangeable rubber grippers.
- With handles to guide the grab.
- Durable surface protection by galvanizing.

011222 Technical data contained in this catalogue can be modified without prior notice in the interest of progress. Illustrations are exemplary and non-binding. No liability accepted for any misprints, mistakes and errors.

Type	Length of Gripper mm (in)	Inside Height mm (in)	Dead Weight kg (lbs)	Gripping Range mm (in)	Working Load Limit/WLL kg (lbs)	Order-Number
FTZ-I	420 (16.54)	170 (6.69)	55 (121)	50 – 520 (1.97 – 20.47)	900 (1,984)	53100120
FTZ-BB	420 (16.54)	290 (11.42)	60 (132)	50 – 480 (1.97 – 18.90)	900 (1,984)	53100202
FTZ-UNI-15	420 (16.54)	255 (10.04)	88 (194)	0 – 750 (0.00 – 29.53)	1,500 (3,307)	53100256
FTZ-UNI-25	420 (16.54)	255 (10.04)	119 (262)	0 – 750 (0.00 – 29.53)	2,500 (5,512)	53100313
FTZ-MAXI-25	420 (16.54)	255 (10.04)	132 (291)	200 – 1,200 (7.87 – 47.24)	2,500 (5,512)	53100344
FTZ-UNI-50	720 (28.35)	200 (7.87)	245 (540)	0 – 850 (0.00 – 33.46)	5,000 (11,023)	53100362
FTZ-MAXI-50	720 (28.35)	240 (9.45)	260 (573)	400 – 1,250 (15.74 – 49.21)	5,000 (11,023)	53100363

Accessories:

Adapter for Kassel Kerb Stone A-FTZ-KB: for FTZ-UNI-15 to extend gripping depth on one side to 290 mm (11.41 inch).

Adjustable Height Stop HVA-FTZ/TSZ: for all versions of FTZ-UNI/MAXI/MULTI and TSZ-UNI. Adjustable range TSZ-UNI/MAXI approx. 55 – 140 mm (2.16 – 5.51 inch). Adjustable range FTZ-UNI/MAXI-25 and FTZ-UNI/MULTI-15 approx. 120 – 255 mm (4.72 – 10 inch).

FTZ-UNI-50 approx. 55 – 155 mm (2.16 – 6.10 inch). FTZ-MAXI-50 approx. 55 – 195 mm (2.16 – 7.67 inch).

Type	Dead Weight kg (lbs)	Order-Number
Adapter for Kassel Kerb Stone A-FTZ-KB	6.9 (15)	43100575
Adjustable Height Stop HVA-FTZ/TSZ	2.5 (5.51)	43100867



Grab for Prefabricated Concrete Products FTZ-MULTI

Mechanical grab. Appropriate clamp configurations for versatile applications from a modular construction system. Same features as per FTZ-I/UNI.

FTZ-MULTI-15: Basic unit without grippers.

- Extraordinary large gripping range, thus suitable for gripping nearly all kind of standard concrete elements and natural stones.
- The individual modules are available separately and hence a huge range of applications can be covered at a reasonable price.
- Durable surface protection by galvanizing.

FTZ-MULTI-15: top with FTZ-MULTI-15-WB-G-120, bottom with FTZ-MULTI-15-WB-SQ

6

Type	Inside Height mm (in)	Dead Weight kg (lbs)	Gripping Range mm (in)	Working Load Limit/WLL kg (lbs)	Order-Number
FTZ-MULTI-15 Basic Device	255 (10.04)	98 (216)	200 – 1,200 (7.87 – 47.24)	1,500 (3,307)	53100348

Accessories:

FTZ-MULTI-15-WB-G-42: Large gripping range, short rubber grippers - preferably suitable for handling of single elements.

FTZ-MULTI-15-WB-G-120: Large gripping range, large rubber grippers - preferably suitable for handling offull layers, such as one layer of kerb stones.

FTZ-MULTI-15-WB-SQ: Special interlocking steelfinger grippers allow for safe installation of roughly-cut ashlar rocks.

Adjustable Height Stop HVA-FTZ/TSZ: for all versions of FTZ-UNI/MAXI/MULTI and TSZ-UNI. Adjustable range TSZ-UNI/MAXI approx. 55 – 140 mm (2.16 – 5.51 inch). Adjustable range FTZ-UNI/MAXI-25 and FTZ-UNI/MULTI-15 approx. 120 – 255 mm (4.72 – 10 inch).

FTZ-UNI-50 approx. 55 – 155 mm (2.16 – 6.10 inch). FTZ-MAXI-50 approx. 55 – 195 mm (2.16 – 7.65 inch).

Type	Description	Length of Gripper mm (in)	Inside Height mm (in)	Dead Weight kg (lbs)	Gripping Range mm (in)	Order-Number
FTZ-MULTI-15-WB-G-42	(pair)	420 (16.54)	255 (10.04)	15.12 (33)	200 – 1,250 (7.87 – 49.21)	43100942
FTZ-MULTI-15-WB-G-120	(pair)	1,200 (47.24)	255 (10.04)	46 (101)	200 – 1,250 (7.87 – 49.21)	43100943
FTZ-MULTI-15-WB-SQ	(pair)		300 (11.81)	33 (73)	200 – 1,200 (7.87 – 47.24)	43100941
Adjustable Height Stop HVA-FTZ/TSZ				2.5 (5.51)		43100867



FTZ-MULTI-15-D with FTZ-MULTI-15-WB-G-42

Grab for Prefabricated Concrete Products FTZ-MULTI-D

Modularly designed grab – with larger inside height.

A single clamp top with screw-on grippers for the broadest range of tasks. Maximum application options due to large gripping range with low acquisition costs.

- The FTZ-MULTI-15-D basic device can be fitted with the same grippers as are suitable for the FTZ-MULTI-15.
- Durable surface protection by galvanizing.

Type	Inside Height mm (in)	Dead Weight kg (lbs)	Gripping Range mm (in)	Working Load Limit/WLL kg (lbs)	Order-Number
FTZ-MULTI-15-D Basic Device	500 (19.69)	140 (309)	0 – 750 (0.00 – 29.53)	1,500 (3,307)	53100393

Accessories:

FTZ-MULTI-15-WB-G-42: Large gripping range, short rubber grippers – preferably suitable for handling of single elements.

FTZ-MULTI-15-WB-G-120: Large gripping range, large rubber grippers – preferably suitable for handling of full layers, such as one layer of kerb stones.

FTZ-MULTI-15-WB-SQ: Special interlocking steelfinger grippers allow for safe installation of roughly-cut ashlar rocks.

Type	Description	Length of Gripper mm (in)	Inside Height mm (in)	Dead Weight kg (lbs)	Gripping Range mm (in)	Order-Number
FTZ-MULTI-15-WB-G-42	(pair)	420 (16.54)	540 (21.25)	15.12 (33)	0 – 750 (0 – 29.52)	43100942
FTZ-MULTI-15-WB-G-120	(pair)	1,200 (47.24)	540 (21.25)	46 (101)	0 – 750 (0 – 29.52)	43100943
FTZ-MULTI-15-WB-SQ	(pair)		585 (23)	33 (73)	0 – 700 (0 – 27.55)	43100941
Adjustable Height Stop HVA-FTZ-MULTI-D				5.5 (12)		43101348



WEZ-06



WEZ-2

Grab for Angular Concrete Products WEZ

Specially developed for handling L-stones and similar products.

The lifting eye can be adjusted to the center of gravity of all customary products being lifted to let it hang vertically.

- Non-marking grey rubber gripping pads.
- Lifting eye for attaching to crane hook.
- Durable surface protection by galvanizing.

NEW

WEZ-06:

- Possibility of repositioning to compensate for the centre of gravity of the gripping material.
- "Switching" of gripping and releasing via the suspension.
- Grey interchangeable profile rubber strip.

WEZ-2/WEZ-6:

- Automatic release for the fully automatic change over from "full" to "empty".
- Highly durable and exchangeable rubber grippers.

Type	Length of Gripper mm (in)	Inside Height mm (in)	Dead Weight kg (lbs)	Gripping Range mm (in)	Working Load Limit/WLL kg (lbs)	Order-Number
WEZ-06	235 (9.25)	95 (3.74)	14 (31)	116 – 120 (4.57 – 4.72)	600 (1,323)	53100438
WEZ-2	220 (8.66)	480 (18.90)	55 (121)	50 – 250 (1.97 – 9.84)	2,000 (4,409)	53100347
WEZ-6	440 (17.32)	630 (24.80)	160 (353)	50 – 300 (1.97 – 11.81)	6,000 (13,228)	53100375



FVZ-UNI

Mechanical Boulder Grab FVZ-UNI

Suitable for handling boulders. Stones of almost all shapes can be lifted and laid to the exact millimetre.

- With chains.
- With lifting eye for attaching to crane hook.

Type	Dead Weight kg (lbs)	Gripping Range mm (in)	Working Load Limit/WLL kg (lbs)	Order-Number
FVZ-UNI	99 (218)	0 – 950 (0.00 – 37.40)	1,500 (3,307)	53100272



H-FVZ-UNI

Manual Boulder Grab H-FVZ-UNI

For smaller boulders which can be carried by two men.

- Additionally equipped with a ring-eyelet to be hooked onto any kind of lifting device, regarding the admissible working load limit.
- Equipped with a simple and fast gripping range adjustment.
- Durable surface protection by galvanizing.

Type	Dead Weight kg (lbs)	Gripping Range mm (in)	Working Load Limit/WLL kg (lbs)	Order-Number
H-FVZ-UNI	18 (40)	0 – 600 (0.00 – 23.62)	200 (441)	53200086



FZ

Flat Grab FZ

For transport of slabs.

Narrow grippers turn standing slabs or erect laying slabs.
No problem to grip even tight standing slabs.

- No damage to the surface of the slabs due to gentle handling with rubber grippers.
- High security by enormous transmission of 5:1.
- A spring tension prevents from unintentional slipping off the clamp.
- Lifting band instead of chain or rope: low dead weight, no squeezing, no hurts.
- Suitable for nearly all kinds of material.

Type	Dead Weight kg (lbs)	Gripping Range mm (in)	Working Load Limit/WLL kg (lbs)	Order-Number
FZ	8 (18)	0 – 60 (0.00 – 2.36)	800 (1,764)	53100278

011227 Technical data contained in this catalogue can be modified without prior notice in the interest of progress. Illustrations are exemplary and non-binding. No liability accepted for any misprints, mistakes and errors.



PVZ-V

Column Handles PVZ-V

Especially suitable for the carrying and laying of round and rectangular concrete or wooden columns.

- Clamping is independent of the length.
- Constructed in such a way that the columns can be set close enough to touch one another.
- The PVZ-V is an adjustable model.
- Galvanised finish.

Type	Length of Gripper mm (in)	Dead Weight kg (lbs)	Gripping Range mm (in)	Working Load Limit/WLL kg (lbs)	Order-Number
PVZ-V	80 (3.15)	8 (18)	100 – 305 (3.94 – 12.01)	150 (331)	53200031

6



SLS-8/20-G-VA

Stone Pillar Grab SLS-8/20-G-VA

Stone pillars and palisades, mainly made of attractive natural stone such as granite, become increasingly popular in horticulture and landscaping. For efficient installation the handy stone pillar grab SLS-8/20-G-VA was designed.

Suspended to a lifting device, such as a mini excavator, the horizontal pillar is clamped through a crank handle. The gripping force automatically increases while lifting and the pillar can be raised safely and installed easily.

After installation the crank is to be released.

- The lifting eye can be adjusted to the center of gravity of the product being lifted to let it hang vertically.
- Double-sided, non-marking rubber grippers, thus no claw marks or scratches on pillars and palisades.
- Durable surface protection by galvanizing.

Type	Dead Weight kg (lbs)	Gripping Range mm (in)	Working Load Limit/WLL kg (lbs)	Order-Number
SLS-8/20-G-VA	12.5 (28)	80 – 200 (3.15 – 7.87)	300 (661)	53100409

Accessories:

Type	Description	Dead Weight kg (lbs)	Order-Number
GB-SLS	Rubber grippers to retrofit stone pillar grab SLS-10/20 (Order-Nr. 53100321) equipped as standard with steel pads. Rubber grippers will not cause damage to the stone elements – gripping range is then reduced from 80 to 180 mm (3.15 to 7 inch).	0.6 (1.32)	43101415



Hollow Slope Block Handles FSZ-M

Especially suitable for the handling of hollow slope blocks and similar elements which can be lifted by hand.

- Grips from the inside.
- Large adjustable gripping range to match all current hollow slope blocks.
- With lifting eye and handle.
- Automatic release for fully automatic switch-over from “full” to “empty”.
- Galvanised finish.

FSZ-M

Type	Length of Gripper mm (in)	Inside Height mm (in)	Dead Weight kg (lbs)	Gripping Range mm (in)	Working Load Limit/WLL kg (lbs)	Order-Number
FSZ-M	90 (3.54)	150 (5.91)	16 (35)	180 – 580 (7.09 – 22.83)	250 (551)	53200002



EASYLIFT EL-SIMPLE Slab Handling Device

The “packhorse” on 2 wheels for easy slab laying: small, light and exceptionally gentle on the back.

- User-friendly and handy device for seamless slab laying.
- For optimal posture when working. Through the lever effect, even heavy slabs can be laid without great effort.
- The special wheel design makes the EASYLIFT EL-SIMPLE extremely manoeuvrable.
- Solid design, indestructible.
- Collapsible, thus space-saving in transit.

EL-SIMPLE

Type	Dead Weight kg (lbs)	Gripping Range mm (in)	Working Load Limit/WLL kg (lbs)	Order-Number
EL-SIMPLE	11.7 (26)	300 – 600 (11.81 – 23.62)	80 (176)	51100017

011227 Technical data contained in this catalogue can be modified without prior notice in the interest of progress. Illustrations are exemplary and non-binding. No liability accepted for any misprints, mistakes and errors.



RF-H

GUTTERFIX RF-H Screeding System for lean concrete

The GUTTER FIX RF-H is a professional device for road construction. In one working step large paving blocks are installed in lean concrete to form this gutter. No more time consuming screeding work!

- Time saving due to easy handling.
- Level height from kerb surface continuously adjustable from 70 – 300 mm (2.75 – 11.81 inch).
- The RF-H can be pushed by one operator, if required a second operator can assist in pulling with an integrated standard hooking point for shovel.
- The adjustment of the ground level and the width of the kerb is done simply and quickly by using clamp bolts (no tools are necessary).
- Large rollers which are touching the top surface and the rear surface can be easily pushed.
- The plowshare is made of extremely high wear-resistant V2A stainless steel.

Type	Working Width mm (in)	Width mm (in)	Dead Weight kg (lbs)	Order-Number
RF-H	500 (19.69)	120 – 200 (4.72 – 7.87)	13 (29)	51000064

6



BP

BOBPLAN BP Pulling aid for the concrete subgrade

NEW

Prepare the concrete bed for kerbs quickly and easily. Ready for use in just a few steps.

The concrete subgrade is removed to a length of approx. 1.20 m for the kerbstones to be placed subsequently.

There are two folding handles for pushing the unit forward. This means that the BOBPLAN BP can be operated by only one person.

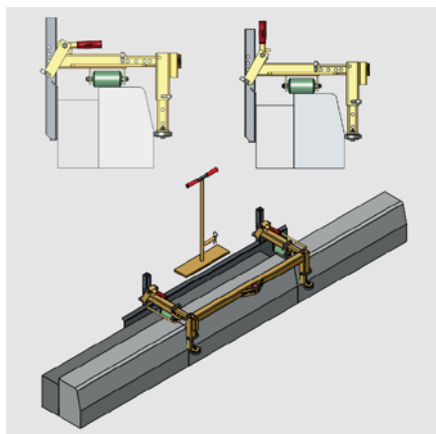
The concrete planer is guided on both sides by 3 adjustable guide rollers.

- Can be folded into a compact transport position.
- Convenient carrying handle (also for securing the folding up in the transport position).
- No loose parts during transport.
- Infinitely adjustable pull-off pusher.
- With 3 guide rollers.

Type	Dimensions mm (in)	Working Width mm (in)	Inside Height mm (in)	Dead Weight kg (lbs)	Length mm (in)	Order-Number
BP	1,532 x 277 x 146 (60.31 x 10.91 x 5.74)	270 (10.63)	195 – 335 (7.68 – 13.19)	14.9 (33)	1,532 / 2,760 (60.31 / 108.66)	51000099



GR-150



GR-150

Slipform for Concrete Backfill of Precast Kerbs GR-150

When installing kerb stones it is mandatory to get them backfilled with concrete formwork as per DIN 18318.

To avoid time-consuming and expensive assembly of timber formwork at the construction site we developed a slipform with lots of clever features.

The slipform GR-150 adjusts to all prevalent precast kerb dimensions. Effortless sliding due to rollers equipped with ball-bearings.

Within seconds the slipform plate is removed from the formed concrete and put into working position again by 2 eccentric levers.

To compact the concrete backfill – according to DIN specifications - the GR-150 comes with a hand tamper including fastener.

- Applicable at not too narrow curves as well.
- Significant saving of material to some extent compared to conventional concrete liner.
- Optional add-on: Link rod for slipform KS-GR-150. This connection rod links up two or more slipforms for formwork building.
- Durable surface protection by galvanizing.

Type	Working Width mm (in)	Width mm (in)	Dead Weight kg (lbs)	Length mm (in)	Order-Number
GR-150	150 (5.91)	80 – 200 (3.15 – 7.87)	32 (71)	1,500 (59.06)	51000066

Accessories:

Type	Description	Dead Weight kg (lbs)	Order-Number
KS-GR-150	Connection rod link	1.3 (2.87)	41000241



Cable Channel Clamp KKV-200

For cable channels II-IF, III-IF, IIIa-IF, IV-IF.

- Fully mechanical grip which means it can be used at any carrier.
- Grips from the inside, so that it is extremely suitable for small spaces.
- Exchangeable steel grippers as gripping elements.
- Lifting eye for crane hook.
- Automatic release for the fully automatic switch over from "full" to "empty".
- Durable surface protection by galvanizing.
- Basic unit without steel grippers.
- Other adapter sets on request.

KKV-200

6

Type	Length of Gripper mm (in)	Dead Weight kg (lbs)	Working Load Limit/WLL kg (lbs)	Order-Number
KKV-200	400 (15.74)	50 (110)	500 (1,102)	53100423

Accessories:

KKV-A: Exchangeable adapter sets as gripping elements. Steel brackets for extra large cable channels.

Type	Description	Dead Weight kg (lbs)	Gripping Range mm (in)	Order-Number
KKV-A-185/210	Steel brackets	5 (11)	185 – 210 (7.28 – 8.27)	43101527
KKV-A-205/230	Steel brackets	5 (11)	205 – 230 (8.07 – 9.06)	43101538
KKV-A-215/235	Steel brackets	5.0 (11)	215 – 235 (8.46 – 9.25)	43100828
KKV-A-220/245	Steel brackets	5 (11)	220 – 245 (8.66 – 9.65)	43101575
KKV-A-255/280	Steel brackets	5.7 (13)	255 – 280 (10.04 – 11.02)	43100848
KKV-A-290/315	Steel brackets	3.5 (7.72)	290 – 315 (11.42 – 12.40)	43100634
KKV-A-330/355	Steel brackets	3.5 (7.72)	330 – 355 (12.99 – 13.98)	43100652
KKV-A-355/380	Steel brackets	3.6 (7.94)	355 – 380 (13.98 – 14.96)	43101296
KKV-A-365/390	Steel brackets	3.7 (8.16)	365 – 390 (14.37 – 15.35)	43100904
KKV-A-380/405	Steel brackets	4 (8.82)	380 – 405 (14.96 – 15.94)	43101297
KKV-A-390/415	Steel brackets	4 (8.82)	390 – 415 (15.35 – 16.34)	43100696
KKV-A-400/425	Steel brackets	4 (8.82)	400 – 425 (15.74 – 16.73)	43100757
KKV-A-410/435	Steel brackets	4.2 (9.26)	410 – 435 (16.14 – 17.13)	43100653
KKV-A-440/465	Steel brackets	4.4 (9.70)	440 – 465 (17.32 – 18.31)	43100749
KKV-A-470/495	Steel brackets	4.4 (9.70)	470 – 495 (18.50 – 19.49)	43100625
KKV-A-490/515	Steel brackets	4.8 (11)	490 – 515 (19.29 – 20.28)	43101033
KKV-A-520/545	Steel brackets	5.3 (12)	520 – 545 (20.47 – 21.46)	43100646
KKV-A-540/565	Steel brackets	5.5 (12)	540 – 565 (21.26 – 22.24)	43100654
KKV-A-575/600	Steel brackets	5.5 (12)	575 – 600 (22.64 – 23.62)	43100633
KKV-A-590/615	Steel brackets	5.7 (13)	590 – 615 (23.23 – 24.21)	43101274
KKV-A-610/635	Steel brackets	5.8 (13)	610 – 635 (24.02 – 25.00)	43101381
KKV-A-625/650	Steel brackets	5.9 (13)	625 – 635 (24.61 – 25.00)	43101247
KKV-A-660/685	Steel brackets	6.3 (14)	660 – 685 (25.98 – 26.97)	43100655
KKV-A-750/775	Steel brackets	7.1 (16)	750 – 775 (29.53 – 30.51)	43100661



Cable Channel Clamp KKV-8/14

The compact tool for installing cable ducts of sizes I – IF.

Acts internally and purely mechanically.

- Equipped with carrying handle and suspension eye.
- Carrying handle can be mounted in 90° increments.
- Gripping jaws are fitted with replaceable rubber-metal rails.
- Durable surface protection by galvanizing.

KKV-8/14

Type	Length of Gripper mm (in)	Dead Weight kg (lbs)	Gripping Range mm (in)	Working Load Limit/WLL kg (lbs)	Order-Number
KKV-8/14	270 (10.63)	12 (26)	80 – 140 (3.15 – 5.51)	100 (220)	53100061



Cable Channel Clamp KKV-20/30

The compact tool for moving cable channels with a clear width of 20 – 30 cm (7.87 – 11.81 inch).

Acts internally and purely mechanically.

- Equipped with a suspension eye.
- Gripping jaws are fitted with replaceable rubber-metal rails.
- Galvanised.

KKV-20/30

Type	Length of Gripper mm (in)	Dead Weight kg (lbs)	Gripping Range mm (in)	Working Load Limit/WLL kg (lbs)	Order-Number
KKV-20/30	120 (4.72)	5.5 (12)	200 – 300 (7.87 – 11.81)	150 (331)	53100420

011227 Technical data contained in this catalogue can be modified without prior notice in the interest of progress. Illustrations are exemplary and non-binding. No liability accepted for any misprints, mistakes and errors.



VZ-H-UNI-KV Full version



VZ-H-UNI-KV + VZ-H-UNI-FG



VZ-H-UNI-KV + VZ-H-UNI-RG

Hydraulic Installation Clamp VZ-H-UNI

A huge variety of building elements for road construction, civil engineering, horticulture and landscaping are handled and installed with this multifunctional clamp: precast kerb stones, granite kerb stones, slabs, L-shaped retaining walls, wall elements, natural stone blocks, grass stones etc.

Infinitely adjustable - without changing any clamp settings, products within a gripping range from 40 – 1,500 mm (1.57 – 59 inch) are picked-up and installed. Standard grippers are replaced with special rock grippers VZ-H-UNI-FG for installation of wall elements, rocks and boulders.

Add-on: the multifunctional gripping adapter VZ-H-UNI-RG for accurate installation of up to 6 grass pavers (according to the size of layer) in one go. The adapter can be reversed – thus bulky and large-seized slabs are installed by steel finger grippers with millimeter accuracy.

Scope of delivery:

VZ-H-UNI-KV Full version: comes with 1 set of rubber grippers and 1 set of steel finger grippers, clamping unit VZ-H-UNI, continuous hydraulic rotator, universal excavator suspension and set of hydraulic hoses (carrier has to provide 2 separate hydraulic circuits for operation of this full version).

VZ-H-UNI-BV Basic version: comes with 1 set of rubber grippers, 1 set of steel finger grippers and clamping unit VZ-H-UNI.

VZ-H-UNI-FG: Standard grippers are replaced with special rock grippers VZ-H-UNI-FG for installation of wall elements, rocks and boulders.

VZ-H-UNI-RG: Add-on: the multifunctional gripping adapter VZ-H-UNI-RG for accurate installation of up to 6 grass pavers (according to the size of layer) in one go. The adapter can be reversed – thus bulky and large-seized slabs are installed by steel finger grippers with millimeter accuracy.

VZ-H-UNI-AB: Fast and precise application of the transfer tongs to the material to be gripped.

Type	Length of Gripper mm (in)	Inside Height mm (in)	Dead Weight kg (lbs)	Opening Width Main Gripper mm (in)	Working Load Limit/WLL kg (lbs)	Order-Number
VZ-H-UNI-KV Full version	100 (3.94)	67 / 128 (2.64 / 5.04)	170 (375)	45 – 1,560 (1.77 – 61.42)	500 (1,102)	51600031-002
VZ-H-UNI-BV Basic version	100 (3.94)		140 (309)	45 – 1,560 (1.77 – 61.42)	500 (1,102)	51600031-001

Accessories:

Type	Description	Dead Weight kg (lbs)	Working Load Limit/WLL kg (lbs)	Order-Number
VZ-H-UNI-FG	Rock grippers (in pairs)	25 (55)	500 (1,102)	41600160
VZ-H-UNI-RG	Gripping adapter for grass stones and large-seized slabs (in pairs)	29 (64)	500 (1,102)	41600176
VZ-H-UNI-GBL	Rubber gripper with larger inside height	4.5 (9.92)	500 (1,102)	41600151
VZ-H-UNI-AB	Clamp mountings and stop brackets (in pairs)			41600193



Hydraulic Kerb Stone Laying Clamp VZ-HS-50/150

With this universal clamp heavy and different sized kerbstones (granite and concrete) can be transported and installed safely and efficiently.

Fits all kind of carries, supplying one hydraulic circuit.

Incl. joint plate for mounting a hydraulic rotator or quick change device, Rubber protected height stop, Steel finger grippers.

VZ-HS-50/150 Basic unit

Type	Length of Gripper mm (in)	Inside Height mm (in)	Dead Weight kg (lbs)	Opening Width Main Gripper mm (in)	Working Load Limit/WLL kg (lbs)	Order-Number
VZ-HS-50/150 Basic unit	100 (3.94)	60 / 120 (2.36 / 4.72)	75 (165)	465 – 1,465 (18.31 – 57.68)	400 (882)	51600014

Accessories:

Type	Description	Dead Weight kg (lbs)	Order-Number
Rotator Ferrari FR-15		10 (22)	22500039
Adapter between UBA and Rotator		1.4 (3.09)	40110270
Bypass restrictor	for operation w/VM-401/301/203/204	1 (2.20)	41900080
Bypass restrictor	for operation w/excavator	1 (2.20)	41900101

011222 Technical data contained in this catalogue can be modified without prior notice in the interest of progress. Illustrations are exemplary and non-binding. No liability accepted for any misprints, mistakes and errors.



BSZ-KH-6.0

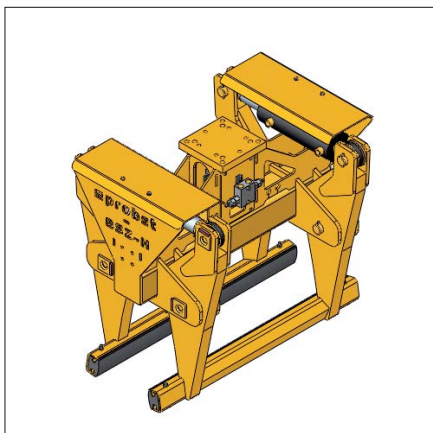
Concrete Highway Divider Clamp BSZ-KH

With this mechanical grab barrier walls can be gripped absolutely safe without leaving any marks on the concrete elements.

Even densely stacked asymmetrical elements can be lifted and installed easily due to the slim design of gripper arms. Thus more barrier elements can be loaded and transported on the truck.

- High rationalisation of staff costs.
- Rapid repetitive sequences.
- Lifting eye for attaching to crane hook.
- Automatic release for the fully automatic switch over from "full" to "empty".
- Leaves no black marks.

Type	Dead Weight kg (lbs)	Gripping Range mm (in)	Working Load Limit/WLL kg (lbs)	Order-Number
BSZ-KH-6.0	460 (1,014)	150 – 210 (5.91 – 8.27)	6,000 (13,228)	53100411
BSZ-KH-7.5	540 (1,190)	180 – 240 (7.09 – 9.45)	7,500 (16,535)	53100424



BSZ-H-5.1

Hydraulic Concrete Highway Divider Clamp BSZ-H

Suitable for gripping and transporting single-sided and double-sided barrier walls of the type "New Jersey" in connection with any carrier machine such as diggers or truck loading cranes.

The use of additional protection elements must be tested, and this can be requested.

- Slim design for picking up closely arranged elements.
- Equipped with a hydraulic accumulator for perfectly reliable gripping.

Type	Description	Length of Gripper mm (in)	Inside Height mm (in)	Dead Weight kg (lbs)	Gripping Range mm (in)	Hydraulic Connection Pressure bar (psi)	Hydr. Backflow Pressure, max bar (psi)	Hydr. Volumetric Flow l/min (gpm)	Working Load Limit/WLL kg (lbs)	Order-Number
BSZ-H-2.0	DB 50 + DB 65 S	1,000 (39.37)	200 (7.87)	235 (518)	100 – 160 (3.94 – 6.30)	180 – 210 (2,611 – 3,046)	5 (72.52)	25 – 40 (6.61 – 10.57)	2,000 (4,409)	56400003
BSZ-H-5.1	DB 80, DB 80 AS, DB 80 AS-A, DB 80 AS-E, DB 80 AS-F, DB 80 AS-R, DB 80 E, DB 80 F, DB 100, DB 100 AS-R, DB 100 S	1,000 (39.37)	300 (11.81)	400 (882)	200 – 270 (7.87 – 10.63)	180 – 210 (2,611 – 3,046)	5 (72.52)	25 – 40 (6.61 – 10.57)	5,100 (11,244)	56400002

011727 Technical data contained in this catalogue can be modified without prior notice in the interest of progress. Illustrations are exemplary and non-binding. No liability accepted for any misprints, mistakes and errors.



FTZ-GBA

Grab for Prefabricated Concrete Products FTZ-GBA

With the FTZ-GBA grab for prefabricated products, you can move special protective wall elements quickly and effectively with parallel or specially formed side faces.

Protective wall elements can be moved with conically tapering side walls only to a limited extent and after individual approval.

Hydraulic versions are available on request.

- Cost savings through short cycle times.
- Suspension bolt for lifting device.
- Automatic release for fully automatic switch over from „full“ to „empty“.
- Exchangeable rubber grippers (only FTZ-GBA).
- Durable surface protection by galvanizing.



FTZ-GBA-S

FTZ-GBA-S: Designed as FTZ-GBA but specific design principally for Swedish guide wall elements GPLINK 1.5 and GPLINK 2.0. Equipped with interlocking steel profile clamp.

Hydraulic versions are available on request.

Type	Length of Gripper mm (in)	Inside Height mm (in)	Dead Weight kg (lbs)	Gripping Range mm (in)	Working Load Limit/WLL kg (lbs)	Order-Number
FTZ-GBA	1,200 (47.24)	255 (10.04)	120 (265)	150 (5.91)	2,600 (5,732)	53100356
FTZ-GBA-S	1,200 (47.24)	295 (11.61)	119 (262)	240 (9.45)	2,900 (6,393)	53100356-001



RVD-4,5-ECO

Concrete Pipe Lifter RVD-4,5-ECO

The universal installation device for unloading, transport and installation of steel reinforced concrete pipes.

It is not necessary to loop the tubes with belts or chains, as the mechanical clamping mechanism prevents the tubes from slipping off.

The excavator driver positions the spigot end of the pipe to be installed with the pipe installation mandrel on the bell end of the pipe already in the trench. The pipes are then joined together with the relevant force.

A minimum pipe weight of 600 kg is mandatory for proper operation of the clamp.

- It is possible to mount an additional rotator or tilt rotator. This makes it even more flexible.
- Revised, compact design.
- Mandrel with plastic plate on the underside to gently push the pipe into the correct gap after installation.
- Increased working load limit.
- Easier pipe handling in the trench lining thanks to an optimised mandrel (compact dimensions).
- With fork sleeves for transportation with fork arms.
- Flexible: The pipe lifter RVD-4,5-ECO can be simply attached to any excavator via the integrated, universal flange plate (not included in scope of delivery), using a quick-hitch coupling.
- Simple to use: autonomous, simple pick-up of the pipe lifter through the digger driver, requires no mounting procedure, short training time for employees.
- Safe: no personal needed for pick-up and put down the pipes, thus heavy reduction in potential hand-injuries.
- Profitable: very short payback period and excellent return on investment due to 50% saving on installation time.

Type	Diameter inside mm (in)	Dead Weight kg (lbs)	Length Stone/Element mm (in)	Working Load Limit/WLL kg (lbs)	Order-Number
RVD-4,5-ECO	400 – 1,200 (15.74 – 47.24)	662 (1,459)	3,000 (118.11)	4,500 (9,921)	44000184



RG-20/85-SAFELOCK



RG-75/125-SAFELOCK



RG-100/150-SAFELOCK

Round Grab RG-SAFELOCK

The clamping force of the claws is maintained fully in all cases, even if the carrier is operated incorrectly.

- Gripping and laying concrete pipes.
- Patented safety locking system: When lifting the product, the grab generates tension on the pipe, which is maintained even when the product is set down.
- One-man operation.
- With adjustable height supports, which can be adjusted with a scale using the external pipe diameter. This guarantees an optimum grab position.
- Slim design allows joint-sleeve pipes lying close together to be picked up onto the lorry loading area and used in very narrow trenches.
- With handles to guide the claw.
- The eye runs in a setting with 2 hanging positions. One is used for locked grabbing, the other for releasing the catch and for empty lifting. This allows operation with only one person.

RG-20/85-SAFELOCK: Increased grip width and increased working load limit as with RG-20/80.

Besides concrete pipes, **stoneware pipes** can also be laid.

Easy adjustment of the outer diameter by means of a scale and a central lock pin.

Rubber grippers.

Plastic-coated height adjustment bracket.

Durable surface protection by galvanizing.

RG-75/125-SAFELOCK: Easy, continuous adjustment of the external diameter by means of a scale using threaded spindles. Crank included in the delivery.

Replaceable steel grab clamps with a reliable grip.

Optionally available: rubber gripper jaws to prevent surface damage.

Durable surface protection by galvanizing.

RG-100/150-SAFELOCK: Easy, continuous adjustment of the external diameter by means of a scale using threaded spindles. Crank included in the delivery.

Replaceable steel grab clamps with a reliable grip.

Type	Length of Gripper mm (in)	Dead Weight kg (lbs)	Gripping Range mm (in)	Working Load Limit/WLL kg (lbs)	Order-Number
RG-20/85-SAFELOCK	420 (16.54)	175 (386)	200 – 870 (7.87 – 34.25)	2,500 (5,512)	54500009
RG-75/125-SAFELOCK	440 (17.32)	370 (816)	720 – 1,280 (28.35 – 50.39)	4,000 (8,818)	54500005
RG-100/150-SAFELOCK	460 (18.11)	535 (1,179)	970 – 1,530 (38.19 – 60.24)	6,000 (13,228)	54500008

Accessories:

Type	Description	Dimensions L x W x H mm (in)	Dead Weight kg (lbs)	Order-Number
Steelfinger gripper	for RG-75/125 and RG-100/150	60 x 60 x 15 (2.36 x 2.36 x 0.59)	0.34 (0.75)	34010108
GMT Rubber gripper, black	only for RG-75/125	60 x 15 x 200 (2.36 x 0.59 x 7.87)	0.75 (1.65)	43101377



RG-8/40



RG-20/80

Round Grab RG

Due to the ultra slim design the grab can be used in very slender trenches.

Exchangeable gripping elements to prevent concrete pipes from damage.

- With adjustable opening width by spring loaded bolts.
- With crane eye for attaching to crane hook.
- With automatic release mechanism which means no additional operating personnel are needed.
- With height adjustment bars.
- Durable surface protection by galvanizing.

RG-8/40: Besides concrete pipes, vitrified clay pipes can also be gripped safely.

Type	Length of Gripper mm (in)	Dead Weight kg (lbs)	Gripping Range mm (in)	Working Load Limit/WLL kg (lbs)	Order-Number
RG-8/40	500 (19.69)	45 (99)	80 – 400 (3.15 – 15.74)	430 (948)	54500004
RG-20/80	420 (16.54)	92 (203)	200 – 800 (7.87 – 31.49)	1,500 (3,307)	54500002



SRG-UNI-1,5



SRG-1,5

Manhole and Cone Chain Clamp SRG

For transporting manhole rings and cones.

SRG-1,5, SRG-3 and SRG-3-L suitable for manhole rings as per DIN 4034 part 2.

With Lifting Strap: SRG-UNI-1,5, SRG-UNI-3.

With High-tensile Lifting Chain: SRG-UNI-1,5-K, SRG-UNI-3-K, SRG-1,5, SRG-3, SRG-3-L.

- Manhole and Cone Chain Clamp SRG-UNI: especially easy handling and light-weight. Automatically adjustable clamping range of the claws to the thickness of the pipe walls.

SRG-UNI-1,5: for manhole rings as per DIN 4034, part 2 and cones.

SRG-UNI-3: for manhole rings as per DIN 4034, part 1 + 2 and cones.

Type	Dimensions L x W x H mm (in)	Number of Claws Pcs.	Diameter Nominal Diameter mm (in)	Dead Weight kg (lbs)	Gripping Range mm (in)	Working Load Limit/ WLL kg (lbs)	Order-Number
SRG-UNI-1,5	360 x 330 x 380 (14.17 x 12.99 x 14.96)	3	800 – 2,000 (31.49 – 78.74)	28 (62)	40 – 120 (1.57 – 4.72)	1,500 (3,307)	54400015
SRG-UNI-1,5-K	360 x 330 x 380 (14.17 x 12.99 x 14.96)	3	800 – 2,000 (31.49 – 78.74)	32 (71)	40 – 120 (1.57 – 4.72)	1,500 (3,307)	54400018
SRG-UNI-3	460 x 410 x 430 (18.11 x 16.14 x 16.93)	3	800 – 2,000 (31.49 – 78.74)	40 (88)	60 – 180 (2.36 – 7.09)	3,000 (6,614)	54400014
SRG-UNI-3-K	460 x 410 x 430 (18.11 x 16.14 x 16.93)	3	800 – 2,000 (31.49 – 78.74)	45 (99)	60 – 180 (2.36 – 7.09)	3,000 (6,614)	54400019
SRG-1,5	390 x 330 x 220 (15.35 x 12.99 x 8.66)	3	400 – 2,000 (15.74 – 78.74)	31 (68)	40 – 120 (1.57 – 4.72)	1,500 (3,307)	54400001
SRG-3	460 x 400 x 250 (18.11 x 15.74 x 9.84)	3	400 – 2,000 (15.74 – 78.74)	55 (121)	50 – 180 (1.97 – 7.09)	3,000 (6,614)	54400002
SRG-3-L	460 x 400 x 250 (18.11 x 15.74 x 9.84)	3	400 – 3,000 (15.74 – 118.11)	58 (128)	50 – 180 (1.97 – 7.09)	3,000 (6,614)	54400003



SVZ-UNI-VARIO



SVZ-UNI-VARIO

Manhole and Cone Installation Clamp SVZ-UNI-VARIO

With the SVZ-UNI-VARIO manhole and cone installation clamp, even cones hang on exact level. The detachment takes place via an automatic trip mechanism.

Some sealing systems absolutely require the installation of cones in an precisely vertical position. This is possible for cones of every shape and size thanks to Integral centre of gravity adjustment. Diameter adjustable in degrees as follows: 625/700/800/1,000/1,050/1,200/1,250/1,350/1,500 mm (24.60/27.55/31.49/39.37/41.33/47.24/49.21/53.14/59 inch).

- Manhole rings and centric cones are laid horizontally without shifting the suspension point. By switching via the guides on the suspension, the excavator driver can control the automatic shift of the suspension point for laying asymmetric cones.
- Fully automatic trip mechanism for switch-over from „full“ to „empty“.
- A rearrangement of the settings is not necessary when handling manhole rings and cones, as the SVZ-UNI-VARIO has got two gripping levels.
- Universally suitable for manhole basers, rings (height 500 mm/19.68 inch or larger) and cones.
- Ultimate safety in gripping by means of self-tensioning steel claws.
- Durable surface protection by galvanizing.

011227 Technical data contained in this catalogue can be modified without prior notice in the interest of progress. Illustrations are exemplary and non-binding. No liability accepted for any misprints, mistakes and errors.

Type	Diameter Nominal Diameter mm (in)	Dead Weight kg (lbs)	Working Load Limit/WLL kg (lbs)	Order-Number
SVZ-UNI-VARIO	625 – 1,500 (24.61 – 59.06)	148 (326)	2,500 (5,512)	54000041



SVZ-UNI



SVZ-UNI

Manhole and Cone Installation Clamp SVZ-UNI

This universal manhole and cone clamp SVZ-UNI enormously rationalizes transport and installation of manhole elements.

Especially suitable for manhole bases, rings (height 500 mm/19.68 inch or larger) and cones with inner diameters of:

SVZ-UNI: 625/700/800/1.000/1.050/1.200/1.250/1.350/1.500 mm.
(24.60/27.55/31.49/39.37/41.33/47.24/49.21/53.14/59 inch).

SVZ-UNI-UK: (725/800) 900/1.000/1.050/1.200/1.250/1.350/1.500 mm.
(28.54/31.49/35.43/39.37/41.33/47.24/49.21/53.14/59 inch).

- With additional suspension position for a more horizontal hanging of the cones.
- An additional operator is not necessary as the driver of the lifting machine „switches“ the SVZ-UNI from gripping to releasing by a slight movement of the lifting hook.
- The settings to the required diameters of the products is done very quickly through plug bolts. A rearrangement of the settings is not necessary when handling manhole rings and cones, as the SVZ-UNI has got two gripping levels.
- Efficient and economic handling of all kinds of manhole elements.
- High tensile chain suspension with eyelet.
- Durable surface protection by galvanizing.

Type	Description	Diameter Nominal Diameter mm (in)	Dead Weight kg (lbs)	Working Load Limit/WLL kg (lbs)	Order-Number
SVZ-UNI	Global	625 – 1,500 (24.61 – 59.06)	103 (227)	2,500 (5,512)	54000046
SVZ-UNI-UK	Specially for UK	900 – 1,500 (35.43 – 59.06)	96 (212)	2,500 (5,512)	54000047

Accessories:

Type	Description	Diameter Nominal Diameter mm (in)	Dead Weight kg (lbs)	Order-Number
SVZ adaptor set	Surcharge for higher nominal width	1,800 (70.87)	25 (55)	44000064
SVZ-UNI-AS	Set of Adaptors for height support, in order to also grip rings with 250 mm height.		5.4 (12)	44000079



SVZ-ECO

Manhole and Cone Installation Clamp SVZ-ECO

The SVZ-ECO is the right choice for sole installation of manhole bases and rings (round and square) and cones or round well rings.

- Can be operated solely by the excavator driver due to integrated trip mechanism for fully automatic switching between gripping and release.
- Self-tensioning steel claws ensure secure gripping.
- Lightweight and budget-priced.
- Durable surface protection by galvanizing.

Type	Diameter Nominal Diameter mm (in)	Dead Weight kg (lbs)	Working Load Limit/WLL kg (lbs)	Order-Number
SVZ-ECO	800 / 1,000 (31.49 / 39.37)	52 (115)	1,700 (3,748)	54000032



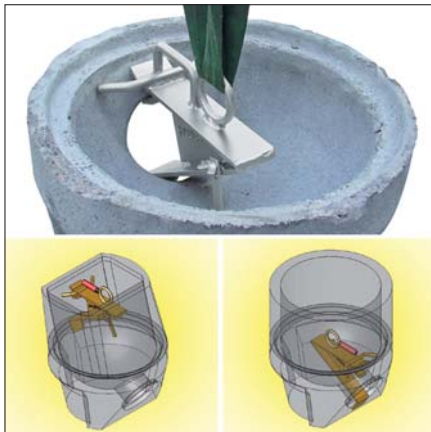
SVZ-ECO-L

Manhole and Cone Installation Clamp SVZ-ECO-L

Compact and extremely robust clamp for manhole rings and cones. Moreover, rectangular manholes can also be transported and installed.

- With positioning aid for quick and reliable positioning of the clamp in the manhole elements.
- Manhole elements, even cones, hang completely level due to movable suspension.
- Automatic release for fully automatic switch over from „full“ to „empty“.
- Safe gripping due to autonomously retensioning steel grip clamps.
- Durable surface protection by galvanizing.

Type	Diameter Nominal Diameter mm (in)	Dead Weight kg (lbs)	Working Load Limit/WLL kg (lbs)	Order-Number
SVZ-ECO-L	625/700/800/900/1,000/1,050/1,200 (24.60/27.55/31.49/35.43/39.37/41.33/47.24)	85 (187)	2,000 (4,409)	54000034



Laying Hook for Gullies SHS

It's as simple as that – for effortless installation of bulky and heavy bottom parts and cones for gullies: no need to purchase costly special clamps, just use the ingenious laying hook SHS.

Suitable for bottom parts with drain and for cones as per DIN 4052-3.

- Safe and fast handling with any lifting device for simple installation with millimeter precision.
- Lightweight shaft element can be piled on top of the bottom part already on the pallet, thus both parts are installed together in one run.
- A tool so handy to fit into each road builders' toolbox.
- Durable surface protection by galvanizing.

SHS

Type	Description	Dead Weight kg (lbs)	Working Load Limit/WLL kg (lbs)	Order-Number
SHS	Suitable for bottom parts with drain and for cones as per DIN 4052-3	4.8 (11)	100 (220)	54000024



Gully Clamp SAZ-UNI

The small and light clamp for cumbersome and heavy concrete sections for road gullies.

For base and intermediate sections in accordance with DIN 4052 (550 mm/21.65 inch).

By undoing the spring bolt and turning the swivel arm, sleeve sections can also be gripped and laid (625 mm/24.60 inch).

- One-man operation due to adjustable lock position in hanging eye for releasing the product.
- With oval ring, can be used as a supporting surface and handle.
- Because of the limited dead weight of only 4 kg (8.8 lbs), the clamp can also be used on small carrying devices.
- Durable surface protection by galvanizing.

SAZ-UNI

Type	Inside Height mm (in)	Dead Weight kg (lbs)	Gripping Range mm (in)	Working Load Limit/WLL kg (lbs)	Order-Number
SAZ-UNI	60 (2.36)	4.1 (9.04)	550 / 625 (21.65 / 24.61)	165 (364)	54000035



SRZ-M

Manhole Frame Clamp SRZ-M

Lightweight, efficient and profitable – Ideal for repair and maintenance of manhole frames and compensation rings.

- Grips from the inside, with removable handles.
- Automatic release for fully-automatically switch over from „full“ to „empty“.
- With lifting eye for attaching to crane hook.
- Durable surface protection by galvanizing.

Type	Inside Height mm (in)	Dead Weight kg (lbs)	Gripping Range mm (in)	Working Load Limit/WLL kg (lbs)	Order-Number
SRZ-M	150 (5.91)	20 (44)	200 – 620 (7.87 – 24.41)	150 (331)	54000033



SRZ-KOMBI. left: Hook A, right: Hook B

Manhole Frame Clamp SRZ-KOMBI

A clamp for frame and cover! Easy and safe transport and installation of manhole covers in accordance with EN 124/DIN 1229.

Both the frame and the cover can be lifted and installed safely.

The lifting eye on the shaft frame clamp is attached to the load hook on the digger/loader and placed on the manhole cover. After releasing the safety catch, the frame is lifted with the cover and placed on the shaft cone.

When the manhole cover is put down, the safety catch clicks into place by itself and the clamp opens automatically.

- By turning through 180°, the covers can also be effortlessly lifted out of the frame with the shaft frame clamp and the 2 A hooks and 2 B hooks included as standard.
- Durable surface protection by galvanizing.

Type	Dead Weight kg (lbs)	Gripping Range mm (in)	Working Load Limit/WLL kg (lbs)	Order-Number
SRZ-KOMBI	15 (33)	750 / 785 (29.53 / 30.91)	200 (441)	53100373



Hydraulic Manhole Cover Lifter SDH-H

Heavy duty professional device. Universally suitable to lift and move away all common sizes of covers.

Keys and spreader bars are not included at SDH-H-15.

SDH-15-UK: incl. Set of keys and spreader bars, specially for UK.

- High break-out force
- Can be taken to pieces within seconds in order to be stowed in each car boot.
- Durable surface protection by galvanizing.

SDH-H

Type	Working Width mm (in)	Working Width Hook Centres mm (in)	Dead Weight kg (lbs)	Height Lifting Height mm (in)	Force Pulling Force kg(daN)	Order-Number
SDH-H-15	1,050 (41.34)	260 / 950 (10.24 / 37.40)	36 (79)	310 (12.20)	1,500	54800002
SDH-H-15-UK	1,050 (41.34)	260 / 950 (10.24 / 37.40)	56 (123)	310 (12.20)	1,500	54800006



EASYLIFT EL-SDH Manhole Cover Lifter

Small and light mechanical manhole cover lifter for lifting manhole covers up to diameter 800 mm (31.49 inch).

The manhole cover is lifted by tilting the EL-SDH with the handle. Optimal lifting position adjustable by chain.

Can be combined with crosspieces for lifting split covers.

The crosspiece of the EL-SDH can be pushed forward and back by approx. 120 mm (4.72 inch).

Optionally available: Permanent lifting magnet EL-SDH-LHM-300.

Key not included in the delivery. See table on next page.

- Durable surface protection by galvanizing.

EL-SDH

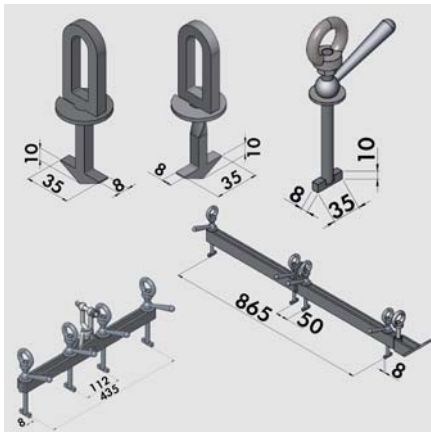
Type	Working Width Hook Centres mm (in)	Dead Weight kg (lbs)	Force Pulling Force kg(daN)	Working Load Limit/WLL kg (lbs)	Order-Number
EL-SDH	125 / 740 (4.92 / 29.13)	18 (40)	200	200 (441)	54800010

Accessories:

EL-SDH-LHM-300: Permanent lifting magnet for lifting metal manhole covers. Attachment/detachment by means of a reversible lever. Mounting for attachment to EL-SDH.

Type	Description	Dead Weight kg (lbs)	Order-Number
EL-SDH-LHM-300	Permanent lifting magnet	11 (24)	44800065

Manhole Cover Lifter accessories



top (from left to right): SDH-Set of keys A, B, C.
bottom: SDH-H-spreader bar small + large

Type	Description	Dead Weight kg (lbs)	Length mm (in)	Order-Number
Key	Key A	0.1 (0.22)		44800019
Key	Key B	0.1 (0.22)		44800020
Key	Key C	0.35 (0.77)		44800075
Spreader bar	small	2.5 (5.51)	865 (34.06)	44800008
Spreader bar	large	7.1 (16)	435 (17.13)	44800018
Set of keys and spreader bars UK	2 keys A, 2 keys B, 4 keys C, 1 Spreader bar small, 2 Spreader bars large	19.2 (42)		54800004
Gatic manhole key (UK)				44800069



SG – Picture as an example

Scissor Grab SG

A mechanical grab universally suitable for use on building sites engaged in civil engineering work and paving work.

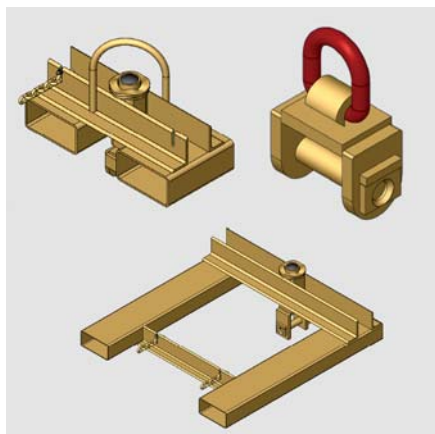
The SG grab handles pack sizes as show in the data below without any gripping width adjustment. Safe and easy transport of non-palletized building materials such as vertically steel-strapped (each row) paving blocks, slabs, kerb stones, etc.

SG-...-PGL2: In the event of damage on the outer ends of the rubber grippers, it is also possible to replace only these end areas.

Large variable gripping range.

Fork sleeves with manual turning device ET-D (with additional lifting eye for crane hook), ET-D/B as well as EH-3000 for crane hook operation to be ordered additionally as accessories.

- Quick height adjustment.
- Automatic release for the fully automatic switch over from “full” to “empty”.
- Highly durable, exchangeable rubber bars as gripping elements.



top left: ET-D, top right: EH-3000, unten: ET-D/B

Type	Length of Gripper mm (in)	Inside Height mm (in)	Dead Weight kg (lbs)	Gripping Range mm (in)	Working Load Limit/WLL kg (lbs)	Order-Number
SG-80-MAXI-PGL2	1,200 (47.24)	800 (31.49)	240 (529)	700 – 1,200 (27.56 – 47.24)	1,800 (3,968)	53100416
SG-80-PGL2	1,200 (47.24)	800 (31.49)	230 (507)	400 – 1,100 (15.74 – 43.31)	1,800 (3,968)	53100380
SG-60-PGL2	1,200 (47.24)	600 (23.62)	225 (496)	400 – 1,100 (15.74 – 43.31)	1,800 (3,968)	53100415
SG-100-PGL2	1,200 (47.24)	1,000 (39.37)	380 (838)	700 – 1,200 (27.56 – 47.24)	2,000 (4,409)	53100284

Accessories:

ET-D/B: With wider distance between the sleeves and with longer sleeves, specially suitable for SG grabs.

Fork sleeves: manual turning device which engages itself every 90°. With security chain to avoid slipping.

EH-3000: ET-D/B with wider distance between the sleeves and with longer sleeves, specially suitable for SG grabs.

SSN-1,5/1,3/1,0 and SSN-1,45/1,45/0,65: Security Net for operation of SG grabs in high-rise construction, is suspended underneath the load by hooking it into the handles of the SG grab.

Type	Description	Dead Weight kg (lbs)	Working Load Limit/WLL kg (lbs)	Order-Number
ET-D	With additional lifting eye for crane hook	35 (77)	2,500 (5,512)	43100411
ET-D/B	Fork sleeve with manual device engaging	50 (110)	2,500 (5,512)	43100373
EH-3000	Lifting eye for crane hook operation	4 (8.82)	3,000 (6,614)	40110086
SSN-1,5/1,3/1,0	For SG-80-PGL2, SG-80-MAXI-PGL2, SG-100-PGL2	5 (11)	2,000 (4,409)	45200061
SSN-1,45/1,45/0,65	For SG-60-PGL2	4 (8.82)	1,800 (3,968)	55000012



KSZ-300-UNI

Limestone Clamp KSZ-300-UNI

Especially designed for the transport of lime-stone elements by a tower crane.

The clamp is variably gripping all packs up to the indicated opening width safely. An adjustment of the gripping width is no longer necessary.

The security net can be hung easily underneath the load.

(Safety net also suitable for blocks with height 625 mm/24.60 inch).

- Crane eye.
- Safety net.
- Semi-automatic – for manual switch over from “full” to “empty”.
- Rubber metal bars as gripping elements (grey colour – no marks left on visible brick work).

Type	Length of Gripper mm (in)	Inside Height mm (in)	Dead Weight kg (lbs)	Gripping Range mm (in)	Working Load Limit/WLL kg (lbs)	Order-Number
KSZ-300-UNI	1,000 (39.37)	300 (11.81)	95 (209)	750 – 1,000 (29.53 – 39.37)	1,250 (2,756)	55200033



DEZ-UNI

Roofing Element Clamp DEZ-UNI

The universal clamp for clay and concrete roof tiles.

With only one device, two rows of clay roof tiles or three rows of concrete roof tiles in horizontal position can be transported quickly and safely on the roof.

Suitable also for large tiles.

- Security net to be hooked into the handles for guiding the clamp.
- Plastic basket to store the security net. Basket can also be used for transportation of special tile elements on the roof.
- Additional lifting point to hang the loaded clamp on an angle to position the rows of roof tiles directly on the roof. (Not suitable for steep roofs).
- Ring-eyelet for crane hook.
- Adjustable height-support.
- Automatic release for the fully automatic switch-over from “full” to “empty”.
- Exchangeable rubber grippers as gripping elements.
- Due to light weight construction and using of high-tensile steels only low dead weight. That way this sturdy steel device is more light weight than some comparable aluminium devices with the same technical specifications.

Type	Length of Gripper mm (in)	Inside Height mm (in)	Dead Weight kg (lbs)	Gripping Range mm (in)	Working Load Limit/WLL kg (lbs)	Order-Number
DEZ-UNI	1,140 (44.88)	140 / 210 (5.51 / 8.27)	75 (165)	660 – 1,000 (25.98 – 39.37)	600 (1,323)	55100034

Service



Training

Demonstration, technical instructions/assistance

Rental Equipment

Second-hand and demo equipment

Telephone Support

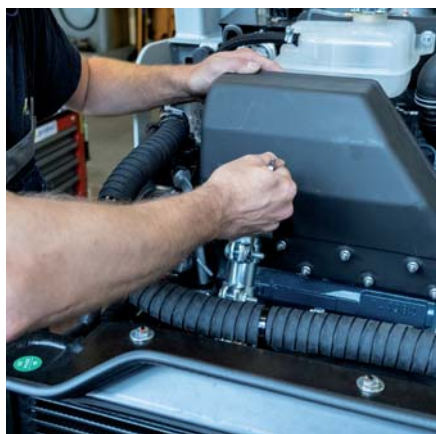
Warranty

Spare parts

Customer service and repair

Phone: +49 7144 3309-30
service@probst-handling.com
WhatsApp +7144 3309-30



After Sales/Warranty

By purchasing a Probst product you have chosen a quality product which has been developed and tested as a result of over 60 years experience. We provide a 1-year warranty for normal use on all new components manufactured by us or a 6-month warranty for shift operation, provided there is evidence of material or manufacturing fault or that a warranted feature is missing. For used parts the warranty is reduced by half in each case. Wearing parts are excluded.

If, despite thorough controls, a fault should occur in your Probst product, the complete device should be sent to us, together with the invoice or delivery note and a completed returns form:

Probst GmbH
 Technic Centre
 Gottlieb-Daimler-Str. 6
 71729 Erdmannhausen
 Phone + 49 7144 3309 30
 E-Mail: service@probst-handling.com

The returns form can be found on our website www.probst-handling.com

An overview of spares can be found in our current operating manual which is supplied with each Probst product. We are happy to send you another copy of this.

If the repair is carried out after the warranty has expired or is due to improper handling, we will send you an estimate of cost together with a request for your approval.

Overview of the Probst service terms and conditions:

Service provision	Order-Number	Price in Euro
UVV test Probst small appliances flat rate*	90010001	85,- *
UVV test Probst large appliances including Probst accessory*	90010002	160,- *
Inspection of electrical work equipment according to VDE 0701-0702	90010020	30,- *
Travelling expenses for service technician visit ¹⁾	90010009	1,15/km
Journey time ¹⁾	90010012	80/h
Working time	90010011	80/h
Overnight costs for service technician	90010010	90/Night

¹⁾ Only the journey will be charged.

* Without spare parts and any possible repair costs incurred.

General sales conditions

1. Preamble

The conditions stated in the following are valid for each order; they exclude the conditions of the Purchaser even if not contradicted expressly. Other Agreements and later modifications are in any case only valid by written confirmation.

2. Offer

All documents belonging to the offer like drawings, indications of weights and measures constitute an approximate guide. The data shall not be binding save to the extent that they are by reference expressly included in the offer. Any drawings or technical documents as well as preliminary quotations and other documents remain the exclusive property of the Vendor. These confidential documents may not, without the Vendors consent, be utilized by the Purchaser or copied, reproduced, transmitted or communicated to a third party. Orders and agreements of all kind need the written confirmation by the Vendor.

3. Prices

The prices are quoted ex works, packing excluded, without engagement. The prices stated in the order-confirmation are fixed, except there are agreed free prices due to long delivery times.

Invoiced will be the prices which are valid on the date of delivery. For orders with a net value of goods up to € 50,- we charge an additional surcharge for small quantities of € 15,-.

4. Delivery

The agreed delivery time starts with the date of order-confirmation, however only if all details regarding the execution of the order will be clarified. Acts of God and other circumstances which are beyond the control of us and of our suppliers like transport disturbances or operating breakdown, lack of material or of parts from suppliers authorize us to claim an adequate extended term.

Purchaser's claims for damages due to failure to perform or delay are excluded if we are not willfully responsible for the damage.

The term of delivery is kept when the product has left the works or it is advised ready for dispatch within the agreed time.

Should delay in delivery be caused by the Purchaser, he will be charged for each month with at least 1/2% of the total invoice amount beginning one month after dispatch date thus covering the costs which arise by storage in the Vendor's works.

The fulfilment of contract by the Purchaser is a precondition for the keeping of delivery times by the Vendor.

5. Packing, Transport, Risk

The kind of packing, way of despatch and shipping route is determined by the Vendor except if there is a special previous agreement.

The costs and risks for the transport of the goods are to be borne by the Purchaser. Provided that no other instructions are given by the Purchaser, we organize the transport by the way that seems best to us without taking responsibility for having chosen the utmost favourable and shortest way.

The Purchaser bears every risk as soon as the merchandise is handed over to the transport agent or carrier.

An insurance against transport damages will only be effected if it is expressly desired by the Purchaser and the costs will be invoiced to him.

In case of transport through the Federal Railway Company or a forwarding agent the Purchaser has to take care of the settlement of his claim by himself.

The maturity for our request of payment is not affected.

6. Subject of Contract

The statements regarding measurements, weights, material and services are carefully stated by the Vendor however not binding, except they are expressly determined to be binding. This is also concerning all statements on construction and suggestions for construction. The Vendor reserves the right for modifications due to technical progress. Any drawings, samples or documents of the Vendor remain the exclusive property of the Vendor. They may not without the Vendor's consent be passed on to a third party. This is to point out the Vendor's copyright. The contractual characteristics of the goods are only relating to our product-description and to the written agreements.

Unilateral expectations of the Purchaser as well as advertisements or other comments of the Vendor or his assistants are not taken into consideration.

Demonstration-products, tools and other equipment needed for the execution of an order, remain the Vendor's property, even if the Vendor partially invoices the costs.

7. Guarantee

Provided that it is not about insignificant fault, the Vendor performs under exclusion of other claims for faults of the delivery to which belongs also the absence of strictly guaranteed or guaranteed qualities, guarantee as follows: for all brand new parts produced by us we take over the guarantee for 1 year in the normal use, 1/2 year in the shift work so far material defects or production mistakes or the absence of guaranteed qualities are proved. For used parts the warranty is reduced by half in each case. The warranty period is 6 months commencing with delivery (Wearing parts are excluded). If the dispatch, the installation or the introduction is delayed without fault of the Vendor, the liability expires not later than 18 months after transmission of risk. Rubber bars used as gripping elements are wear articles and are not subject to the guarantee. Faults by incorrect assembly or initial start-up, unsuitable or inappropriate use or changes or repairs by the Purchaser or third persons, natural wear, incorrect or careless treatment, excessive strain, unsuitable methods of operation, exchange materials, chemical, electro-chemical or electric influences expels every guarantee, provided that they are not to be led back on a fault of the Vendor. Further rights, particularly claims to substitute of the losses which have not appeared in the subject of delivery themselves, are expelled.

Notices of defect within the above stated frame are only recognized if they are asserted within two weeks after reception of the goods, with first not recognizable fault immediately after knowledge by written statement. Objections on the amount are only considered if they are brought forward immediately on receipt of the consignment in written form. The examination and reprimand obligation also encloses operating instructions and assembly instructions.

Also damages which are subject to the guarantee have to be indicated immediately in writing. A claim to transformation or decrease does not exist, unless we are not able the lack to repair. To the realization of all repairs inevitably appearing to the Vendor and substitute deliveries the customer after communication with the Vendor has to give the required time and opportunity, otherwise the Vendor is freed from the liability for defects.

Only in pressing cases of the endangering of the operational safety and to avoid disproportionately big losses, whereby the Vendor is to be informed immediately, or if the Vendor is in delay with the removal of the lack, the customer has the right to allow to remove the lack by third persons and has a claim for reimbursement of wasted expenditure towards the Vendor. Further claims, e.g., substitute of wage or spoiled equipment, etc., are expelled.

Repair or substitute is our choice. If the parts are returned not free of charge so they will be sent back also not free, i.e. a freight way is carried by us with the cheapest way of dispatch.

General sales conditions

The guarantee expires if the subject of delivery is treated by foreign party, also with pressure of time an other treatment needs our consent in particular. We are not responsible for failures as a result of bad assembly by the customer or third persons, of bad maintenance or carelessness, of unsuitable or inappropriate use or of excessive use.

Precondition for the guarantee is the fulfillment of the contractual obligations by the Purchaser. Because of the notices of defect about which no doubt exists, payments may be held back only in the appropriate relation to the appeared lack. Particularly no compensations may take place against earlier or later deliveries. Returns need the previous agreement of the Vendor.

8. Right to rescind of the Purchaser and other liability of the Vendor

The Purchaser can withdraw from the contract if the whole performance is definitively impossible before risk transfer or the delivery within an appropriate term which may not remain under a month, did not take place, unless, the performance hindrance is to be represented from the Vendor at least mainly or it is about a case of point 6. paragraph 4. As far as partial performances are possible and for the Purchaser useful also after ending of the contract, the right to rescind limits itself to the parts not yet performed.

If the impossibility enters during the acceptance delay or by fault of the Purchaser, he remains obliged to do the settlement. If partial performances have already taken place for the purposes of the paragraph 1, a compensation claim also exists in this respect. The Purchaser has furthermore a right to rescind if the Vendor has passed inactively an adequate extension placed to him for the repairing or reworking due to a failure to be represented by the Vendor in the sense of these terms of delivery. If the Vendor decides on an extended elimination of the lack, the Purchaser only has a right to rescind if the elimination of the lack has failed two times. The appropriate extension does not begin earlier, than the lack and the representation obligation of the Vendor are determined and proved. The Purchaser can also assert reduction instead of his right to rescind. If the Purchaser or a third person makes inappropriate changes or repairs without previous approval of the Vendor, there is no liability of the Vendor for the consequences appearing from it.

The liability of the Vendor is determined exclusively according to the preceding points of this agreement. All not strictly admitted rights there, e.g., on delivery of a faultless product, resignation of the contract or decrease as well as on substitute of losses of every kind, namely also from such losses which have not appeared in the subject of delivery and regardless of any legal argument, are excluded. This exclusion of liability applies not with intention and gross negligence of legal representatives or fulfillment assistants and by culpable violation of main liability. The exclusion of liability finds no further application if qualities which are strictly guaranteed are missing, if the warranty has just aimed to safeguard the buyer against the losses which have not appeared in the subject of delivery themselves, as well as if the damage is based on a circumstance, for which the Vendor has taken over a guarantee. The same applies if a procurement risk realizes which the Vendor has explicitly taken over. Finally, the exclusion of liability applies not in that cases in which according to the country right valid in each case a damages obligation exists which can not be expelled by contract, particularly for product liability. Except for losses for life, body and health and for intention and coarse negligence of legal representatives and fulfillment assistants, the extent of the damage to be replaced is limited however, on foreseeable losses.

9. Payment

The settling place for payment and the currency are agreed especially.

A delay in payment or a setting off is only acceptable in case of undisputed or legally binding counter-claims.

If the financial situation of the Purchaser gets worse after agreement to the contract essentially and is thereby endangering the payment entitled to the Vendor, the Vendor is entitled to refuse the performance, until the settlement is effected or is performed safety for him.

10. Delay in Payment

If the Purchaser does not keep to the arranged term of payment, we charge from maturity for interests by the legal height according to German law. Before payment of payable amounts the Vendor is not obliged to do any other delivery, as far as the Purchaser does not perform safety for this. In case of outstanding overdue payment, indebted by the Purchaser, all unpaid invoices of the Vendor become immediately payable.

11. Retention of title of ownership

Up to entire satisfaction of all claims from the business connection remain the supplied goods property of the Vendor. The Purchaser has to keep the goods duly and to insure them. If the Purchaser is late with payable payments in more than 10 workdays the Purchaser is obliged on demand of the Vendor to return the supplied goods, without the Vendor must explain before the withdrawal of the contract.

12. Acceptance, call, right to rescind of the Vendor

On call bought goods are to be accepted within a month after demand to takeover. If the Purchaser is in acceptance delay, the Vendor can store the goods at the expenses and risk of the Purchaser and can invoice him all expenses appearing from it. The same applies if due to circumstances attributed to the Purchaser, goods ready for dispatch can not be dispatched. If the Purchaser continues to delay acceptance of the goods in spite of passed time-limit, is a payable payment more than 30 days in the delay or commits the Purchaser another weighty breach of the contract, the Vendor is entitled to the withdrawal of the contract and to claim for damages.

13. Arbitration board, place of delivery, other rights

The rights of the Purchaser are not transferable.

The legal ineffectiveness or change of single regulations do not touch the validity of the rest regulations.

To the place of an ineffective regulation that permissible regulation should step which comes to the economic thought of the ineffective regulation in the next. Place of delivery for all deliveries is the manufacturing work of the Vendor, in Erdmannhausen, as far as no divergent agreement has been met. The preceding conditions apply to every order. Other conditions are for the Vendor only bindingly if he has recognized them in writing.

On the contract the right of the Federal Republic of Germany is applicable under exclusion of the agreement of the United Nations from the 11/04/1980 about contracts about the international goods purchase.

All disputes which arise in connection with the contract or about its validity, are decided according to the arbitration board order of the German Institution for Arbitration Board Ability Inc (DIS) under exclusion of the neat course of law finally. The arbitration board also can make a binding decision about the validity of this arbitration agreement.

The right solution for every challenge – already in the range, or we construct it.

Probst makes hard work easier. We already have available a wide range of machines, equipment and tools for many applications. We will gladly help you find the right solution for you.

Alternatively, we can develop an individual suitable solution for you. For the optimal consultation, simply send us your requirements in advance..

Contact person: _____ Company: _____

Phone: _____ E-mail address: _____

Please describe the element to be lifted.

Dimensions (LxWxH in mm)

What material is the element made of?
e.g. concrete, natural stone, granite, limestone, ...

How is the element stored or how is it delivered?
If available, please send us sketches or photos.

Which drive is preferred or available?
e.g. combustion engine, hydraulic or electric drive, ...

When do you plan to commission the unit?

Weight (in kg)

What is the surface finish?
e.g. coated, structured, smooth, polished, powder-coated, ...

What is the intended location?
e.g. building site, building material plant, desert, sea air, ...

Is a carrier device provided? If so, which?
e.g. excavator, forklift, loading crane, overhead crane, chain hoist, ...

Is there any other relevant information?

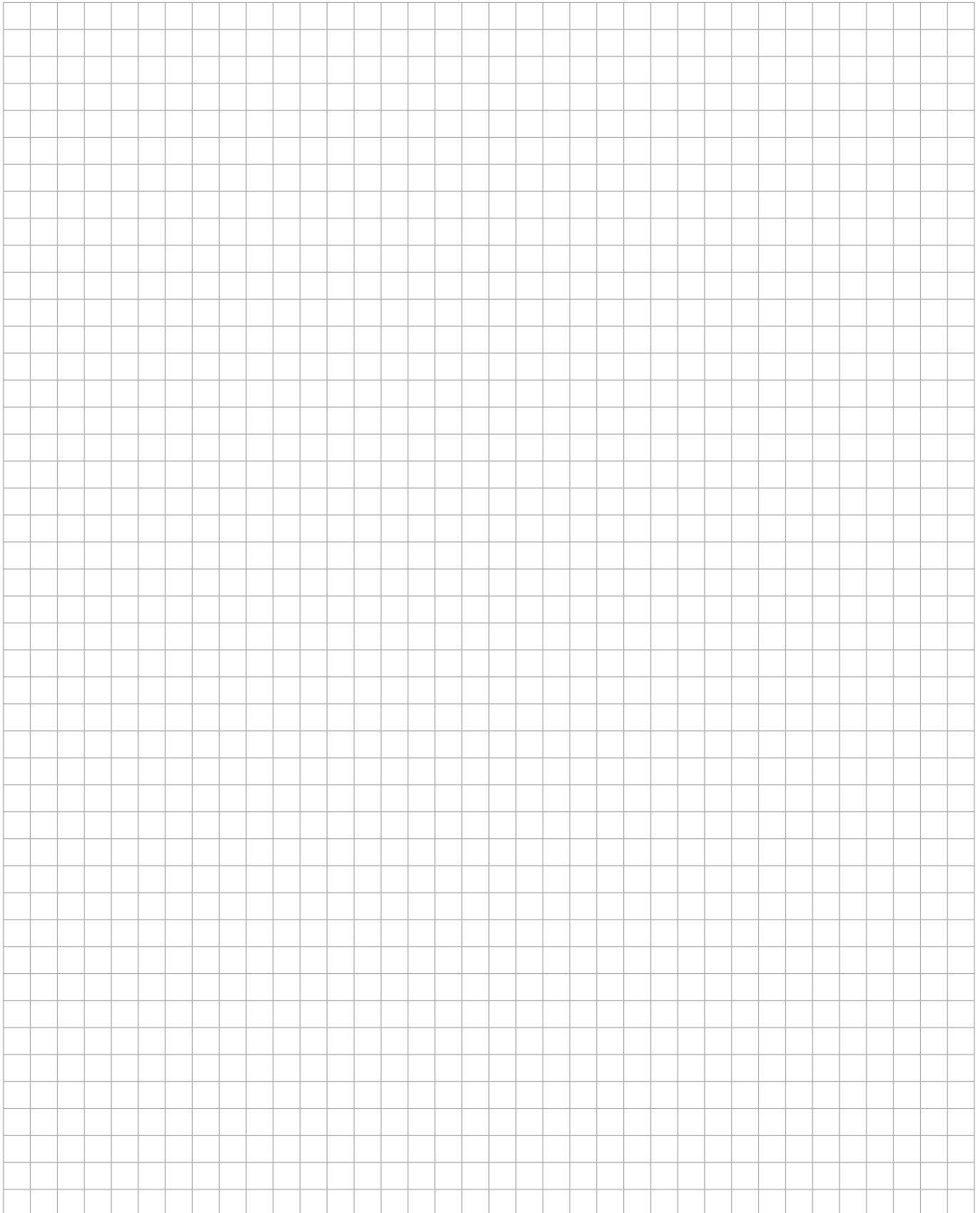
You will find space for a sketch or drawing of the element on the following page.

Please take photos of this page and your sketches and send them to: info@probst-handling.de

Alternatively, use our online form and send us your request digitally:
www.probst-handling.com/en/productrequest

We are looking forward to your request and will contact you immediately.

Sketch/drawing





making hard work easier



Site Equipment



Building Material Plants –
In-Plant Handling



Truck Crane Attachments

Probst GmbH
Gottlieb-Daimler-Straße 6
71729 Erdmannhausen, Germany
+49 7144 3309-30
info@probst-handling.com

www.probst-handling.com